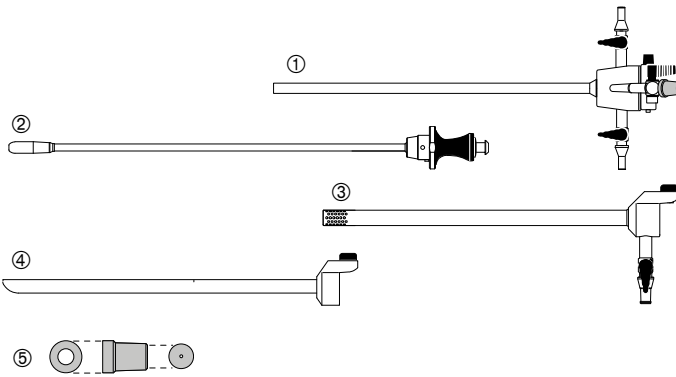
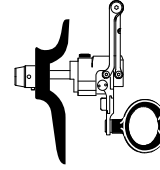


Telescope

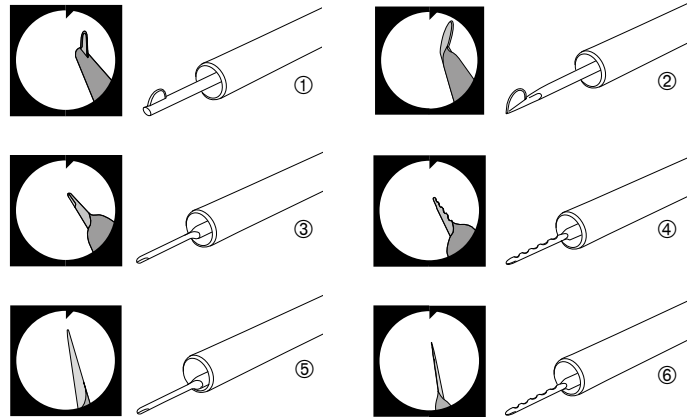

WA2T412A Telescope "OES ELITE",
4 mm, 12°,
HD, autoclavable
Delivery includes: protective tube WA2P400A.

Sheaths


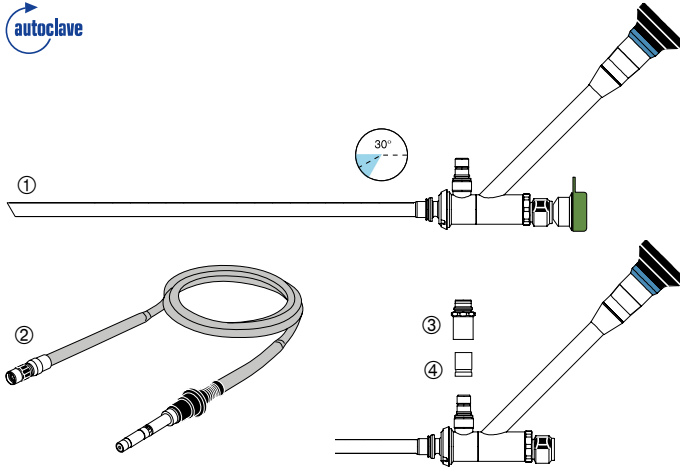
- ① **A3551** Sheath, 22 Fr.,
for urethrotome
 - 4 Fr. channel
 - With obturator A3560
- ② **A3560** Obturator,
for A3551, 4 Fr. channel
- ③ **A3552** Outer sheath,
26 Fr., for A3551
 - For percutaneous access
- ④ **A3554** Insertion sleeve,
for A3551
 - For balloon catheter of max. 18 Fr.
 - For difficult anatomy to remain access to the bladder while instrument is withdrawn.
- ⑤ **00131** Sealing cap, 0.7 mm, 10 pieces
 - Reusable/non-sterile

Working Element


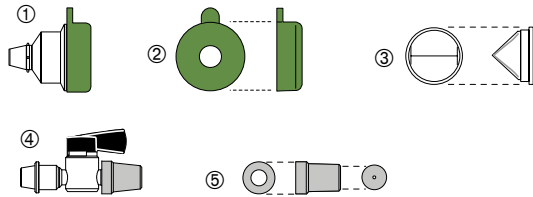
A3550 Working element,
for A3551

Knives for Urethrotomy


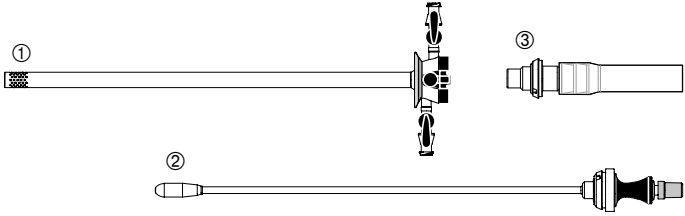
- ① **A3556** Knife,
semi-circular,
4 Fr. channel,
for A3550
 - Knife A3556 must be used in combination with a 3 or 4 Fr. ureter catheter.
- ② **A3558** Knife,
semi-circular,
for A3550
- ③ **A3555** Knife,
lancet type,
for A3550
- ④ **A3557** Knife,
corrugated,
for A3550
- ⑤ **WA35055A** Knife,
lancet type, straight
- ⑥ **WA35057A** Knife,
corrugated, straight

OES Pro Nephroscope


- | | | |
|---|-----------------|---|
| ① | WA33036A | OP telescope,
30° direction of view,
4 mm channel
<i>Delivery includes: attachment A3342</i> |
| ② | WA03300A | Light-guide cable, 2.8 mm, 3 m, CF type |
| ③ | A0460 | Light-guide adapter, for OES 4000 light-guide cables |
| ④ | O0332 | Light-guide adapter, for Wolf light-guide cables |

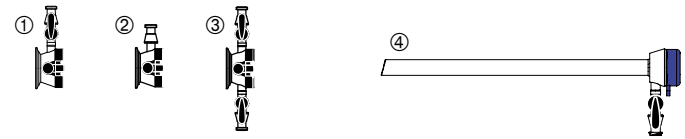
Attachments for Nephroscope


- | | | |
|---|-----------------|---|
| ① | A3342 | Attachment,
with automatic valve |
| ② | A4558 | Sealing cap,
2 mm, 10 pcs., green, for A3342
▪ Reusable/non-sterile |
| ③ | A00001A | Valve,
10 pcs.,
transparent, for A3342 |
| ④ | WA33039A | Attachment,
with stopcock |
| ⑤ | O0201 | Sealing cap,
2,8 mm, 10 pcs., gray, for WA33039A
▪ Reusable/non-sterile |

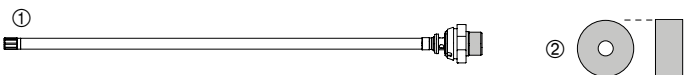
Continuous Flow Irrigation


- | | | |
|---|-----------------|---|
| ① | WA33037A | Outer sheath, 25 Fr., rotatable |
| ② | WA33025A | Obturator, for WA33037A,
for use of WA33036A as a compact cystoscope |
| ③ | WA33026A | Adapter, OES Pro outer sheath to
Ellik evacuator/bladder syringe |

For bladder syringes, see page 55.

Overflow Irrigation


- | | | |
|---|-----------------|---|
| ① | A22051A | Irrigation port, for resection sheaths,
1 stopcock, rotatable |
| | A22054A | Irrigation port, for resection sheaths,
1 vertical stopcock, fixed |
| ② | A22052A | Irrigation port, for resection sheaths,
1 Luer-lock connector, rotatable |
| ③ | A22053A | Irrigation port, for resection sheaths,
2 stopcocks, rotatable |
| ④ | WA33038A | Sheath,
acc. to Amplatz, 28 Fr. |

Use of Fiberscopes


- | | | |
|---|-----------------|--|
| ① | WA33040A | Guiding tube,
for CYF-5 cysto-nephroscopes |
| ② | A0206 | Sealing cap,
4 mm, 10 pcs., gray, for A3340
▪ Reusable/non-sterile |

For CYF cysto-nephroscopes, see page 181.