

# **SV600/650/800/850 Ventilator**


## **Service Manual**

---

# Intellectual Property Statement

SHENZHEN MINDRAY BIO-MEDICAL ELECTRONICS CO., LTD. (hereinafter called Mindray) owns the intellectual property rights to this product and this manual. This manual may refer to information protected by copyrights or patents and does not convey any license under the patent rights of Mindray, nor the rights of others. Mindray does not assume any liability arising out of any infringements of patents or other rights of third parties.

Mindray intends to maintain the contents of this manual as confidential information. Disclosure of the information in this manual in any manner whatsoever without the written permission of Mindray is strictly forbidden. Release, amendment, reproduction, distribution, rent, adaption and translation of this manual in any manner whatsoever without the written permission of Mindray is strictly forbidden.

**mindray**、 and **MINDRAY** are the registered trademarks or trademarks owned by Mindray in China and other countries. All other trademarks that appear in this manual are used only for editorial purposes without the intention of improperly using them. They are the property of their respective owners.

Contents of this manual are subject to changes without prior notice.

## Revision History

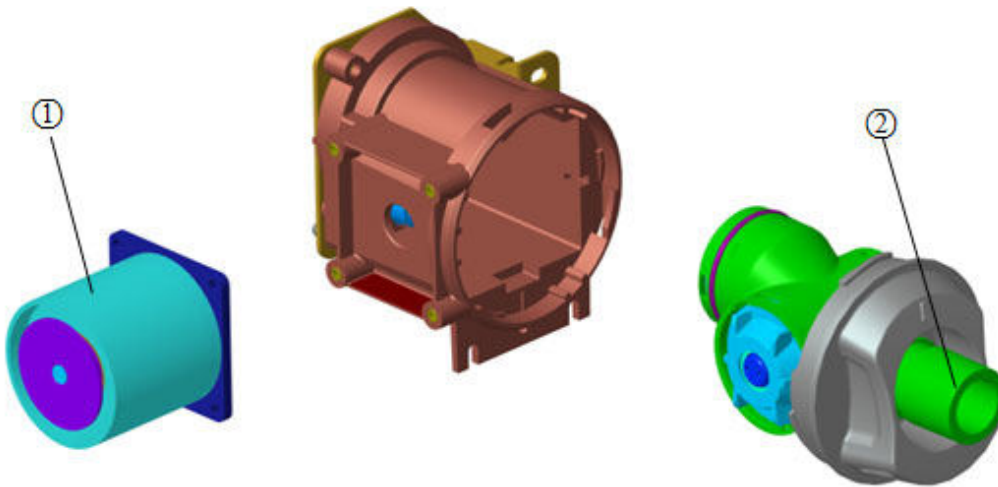
This manual has a revision number. This revision number changes whenever the manual is updated due to software or technical specification change. Contents of this manual are subject to change without prior notice. Revision 1.0 is the initial release of the document.

- Revision number: 5.0
- Release time: 2021-09

© Copyright 2017-2021 Shenzhen Mindray Bio-Medical Electronics Co., Ltd. All rights reserved.

---

## 11.23 Safety Module



## 11.24 Parts List

Item No.	Order Number	Part Descriptions	QTY	Remarks
1	024-000566-00	Electromagnet 12V 48Ohm 4.8mm	1	/
2	115-021478-00	Disposable part of safety module	1	Only for warranty Service