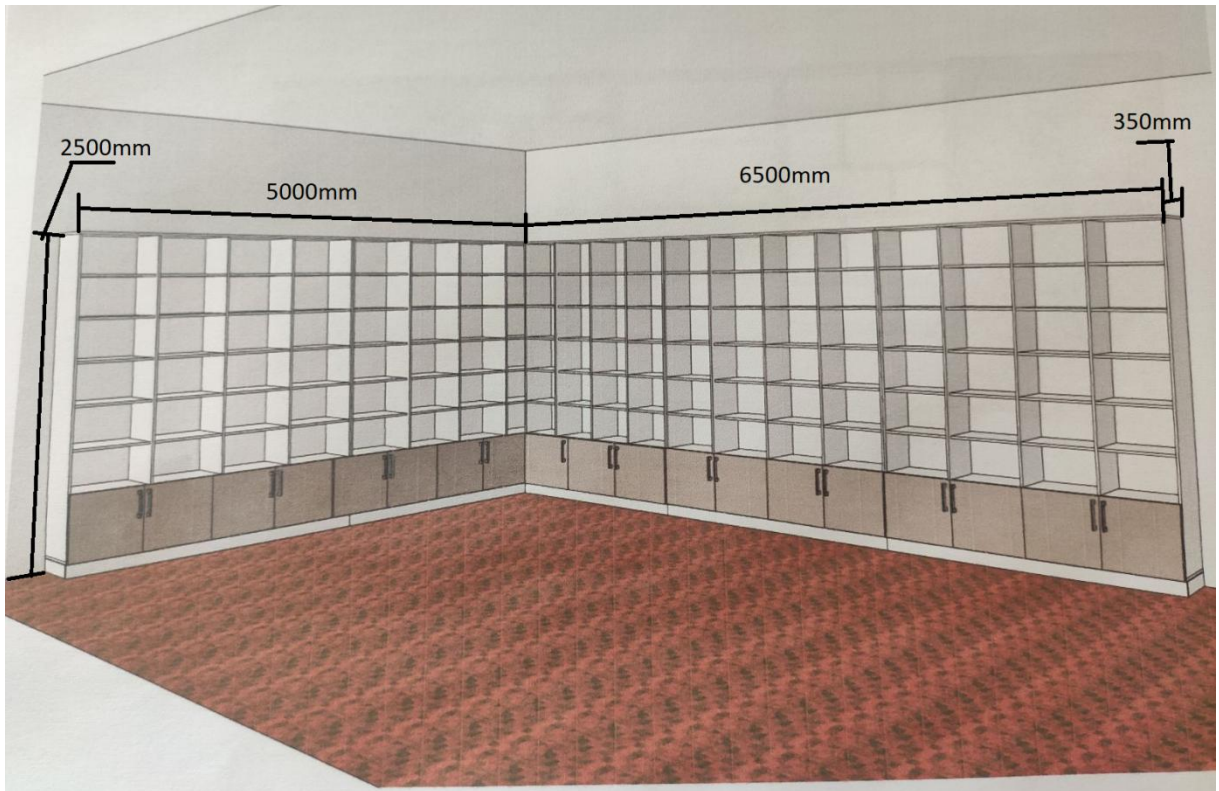
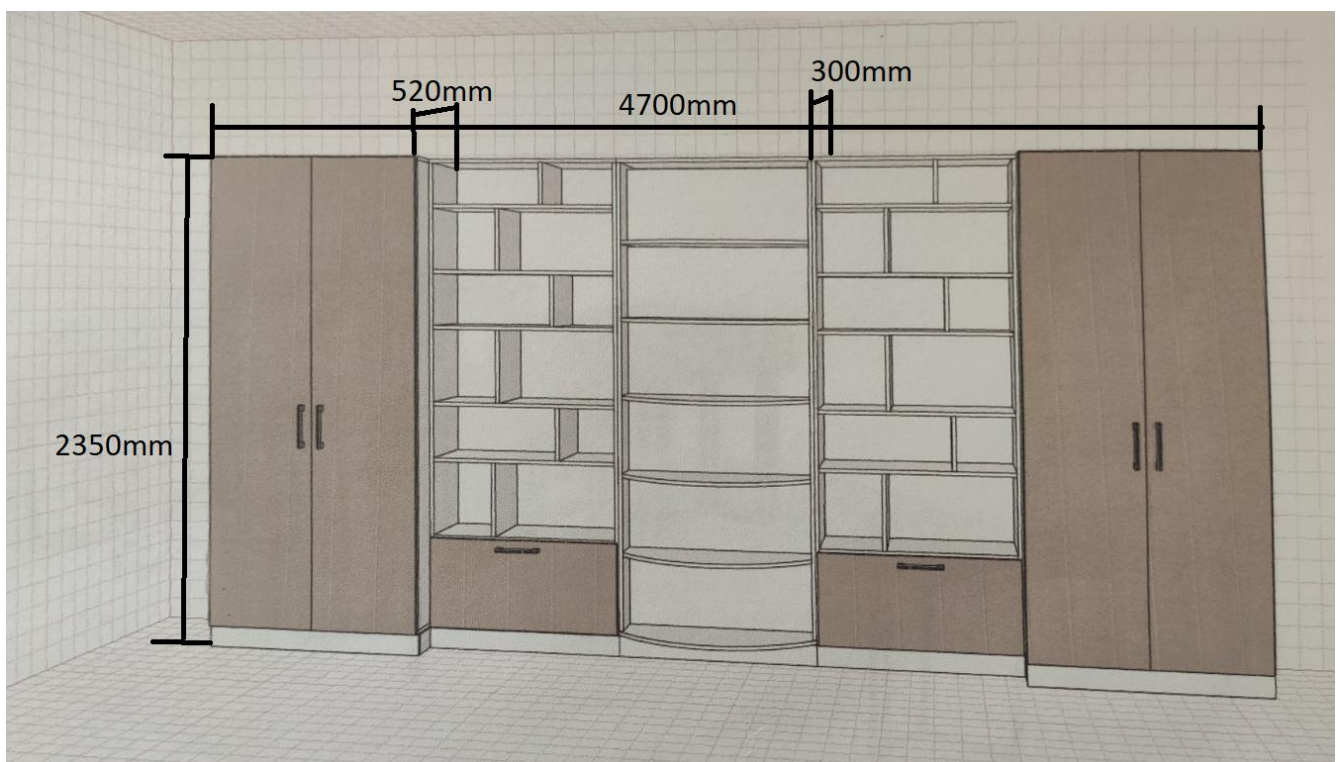


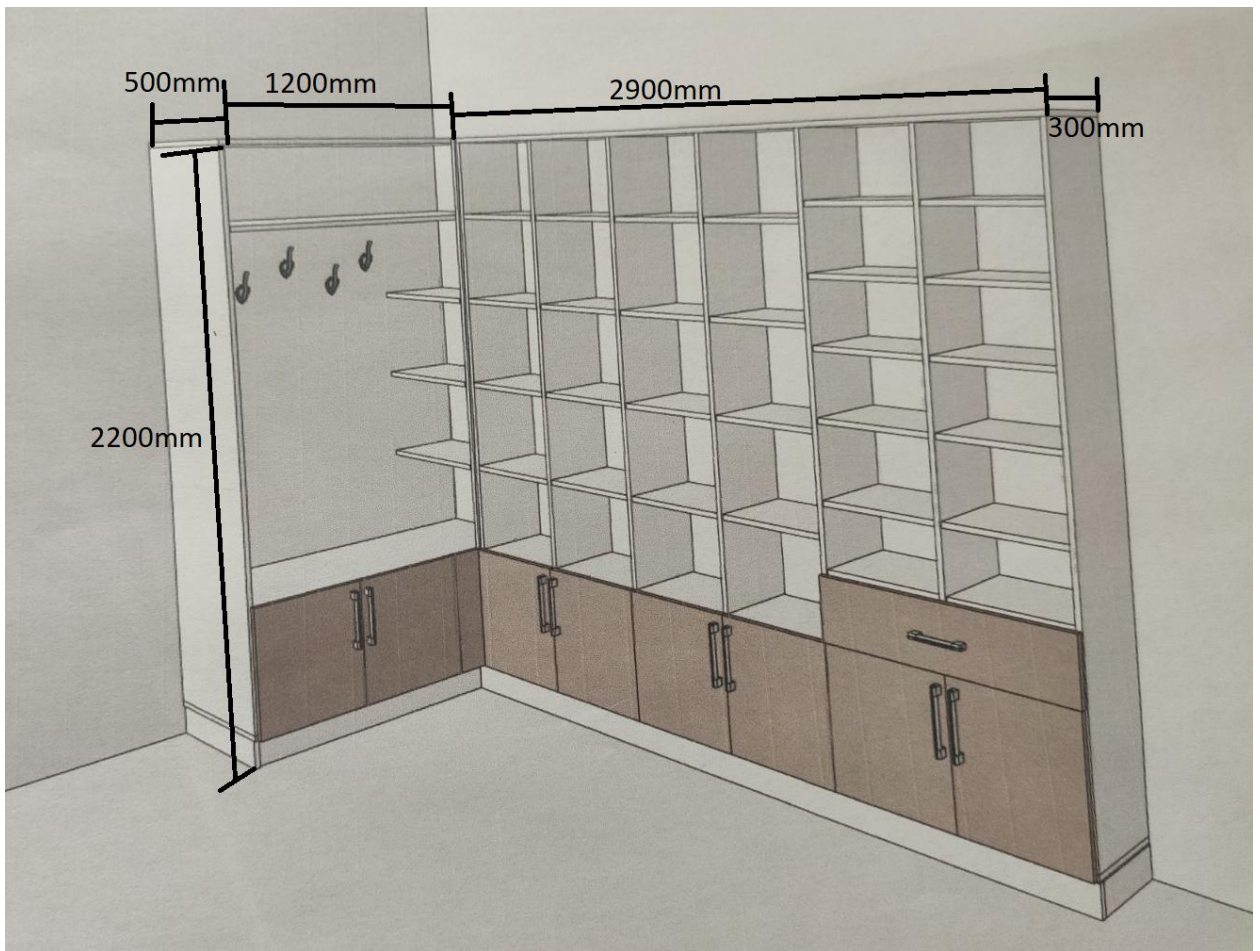
Anexa 1



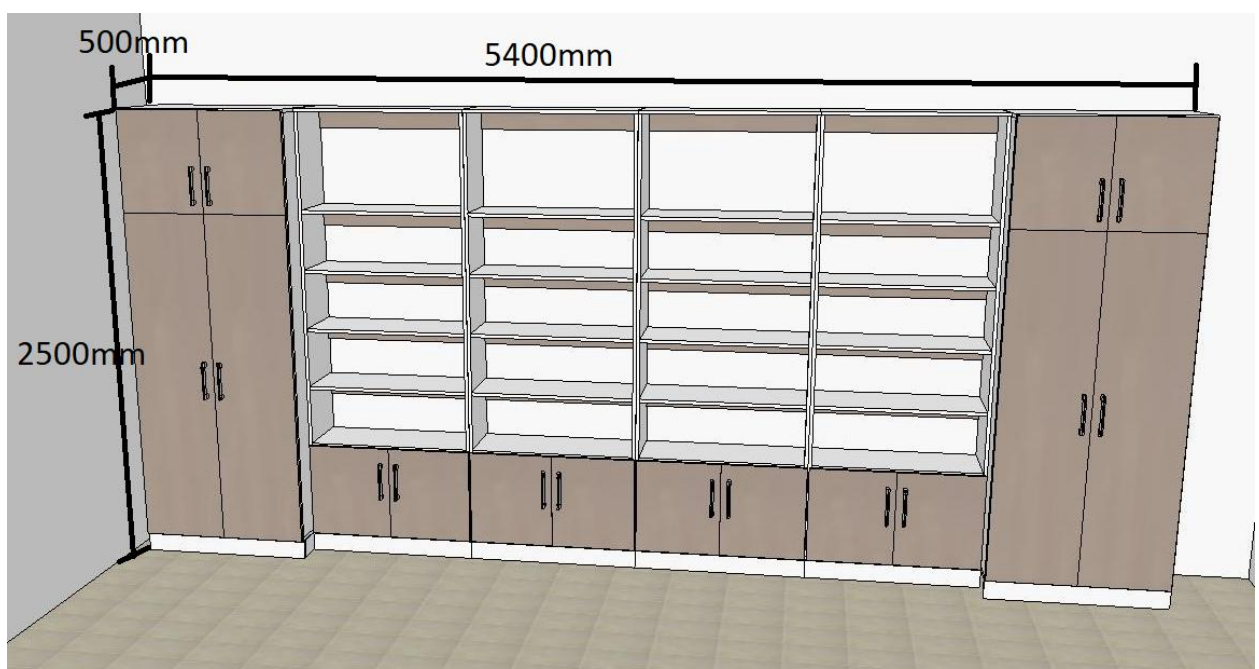
Anexa 2



Anexa 3

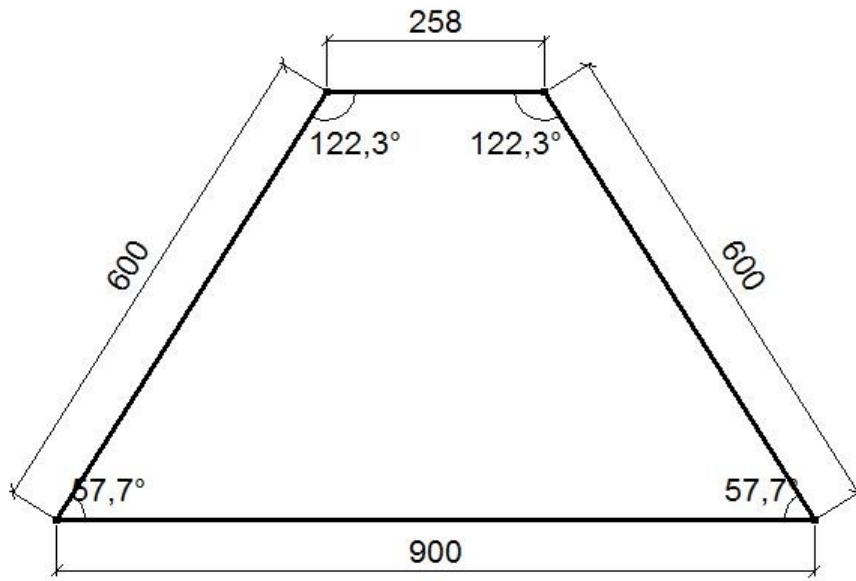


Anexa 4

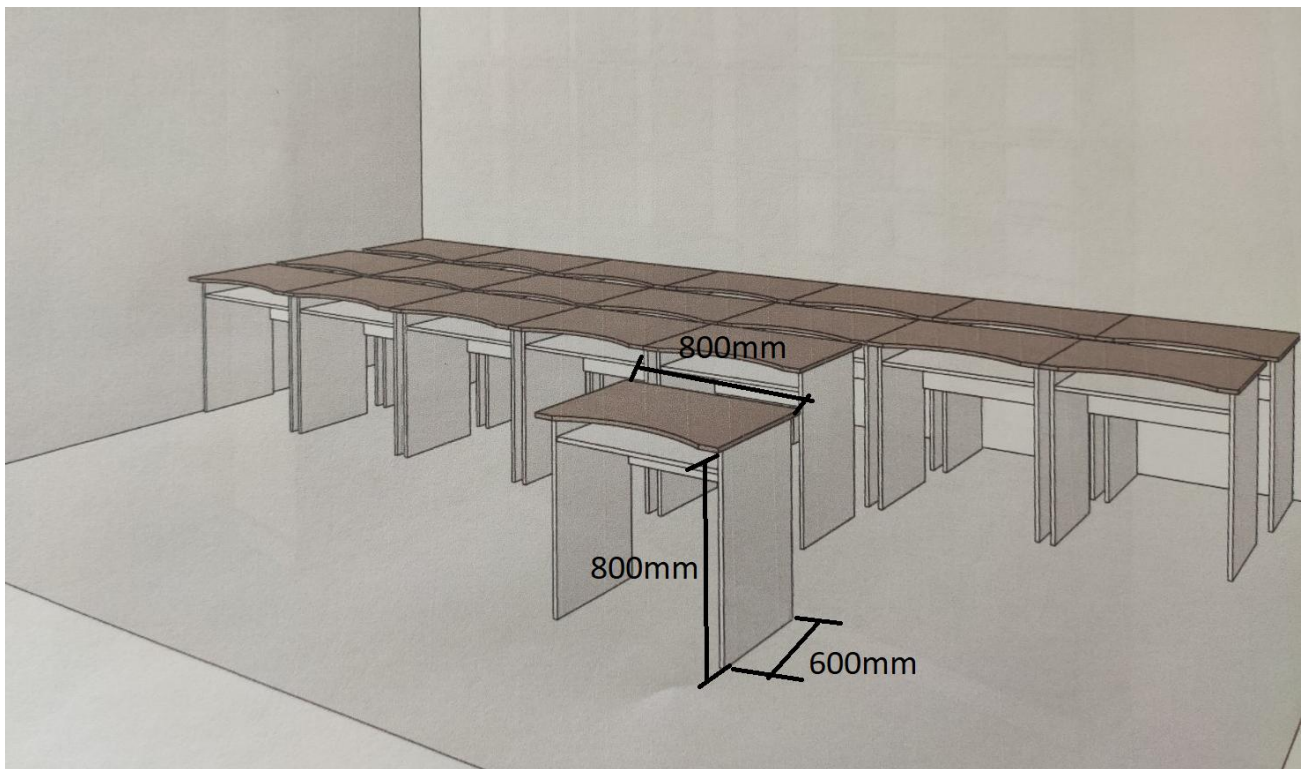




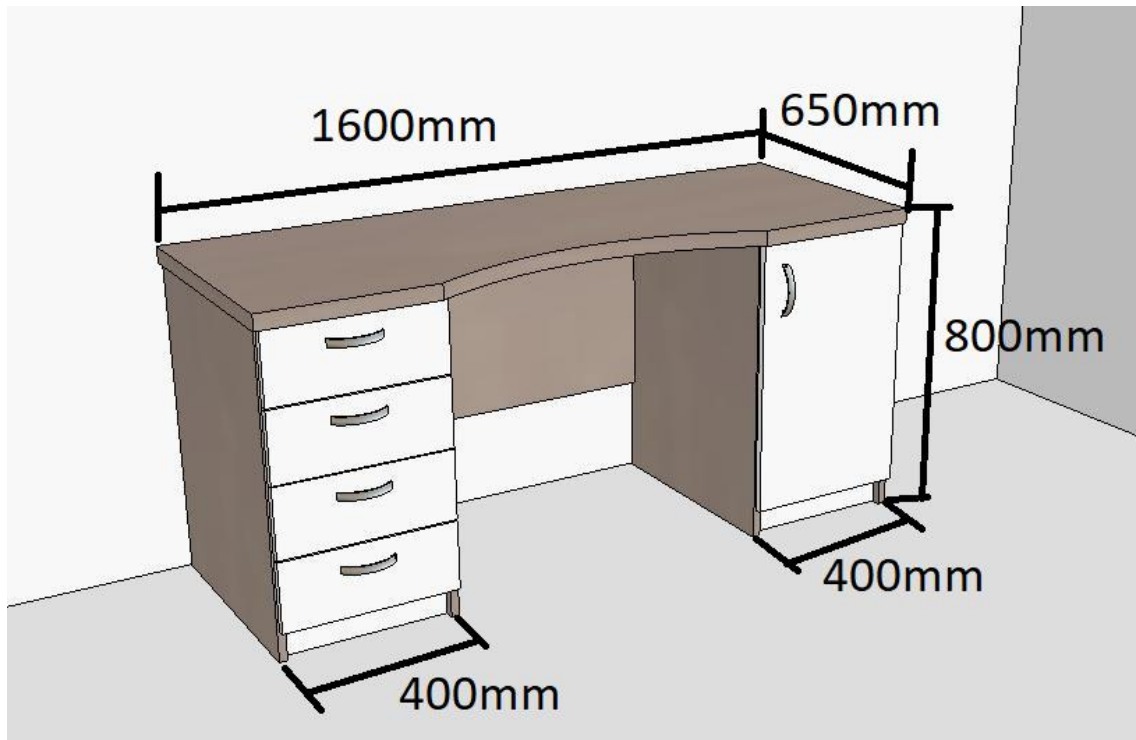




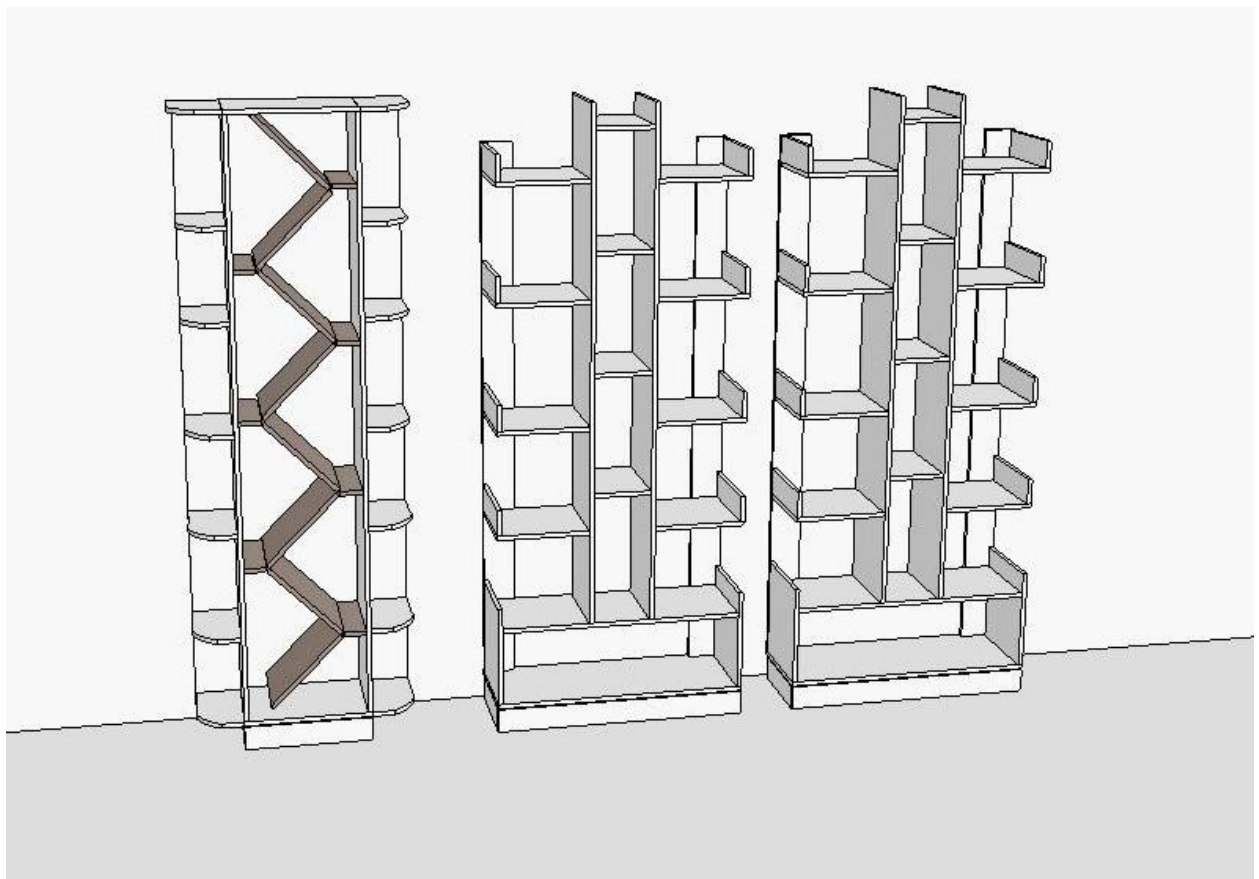
Anexa 6

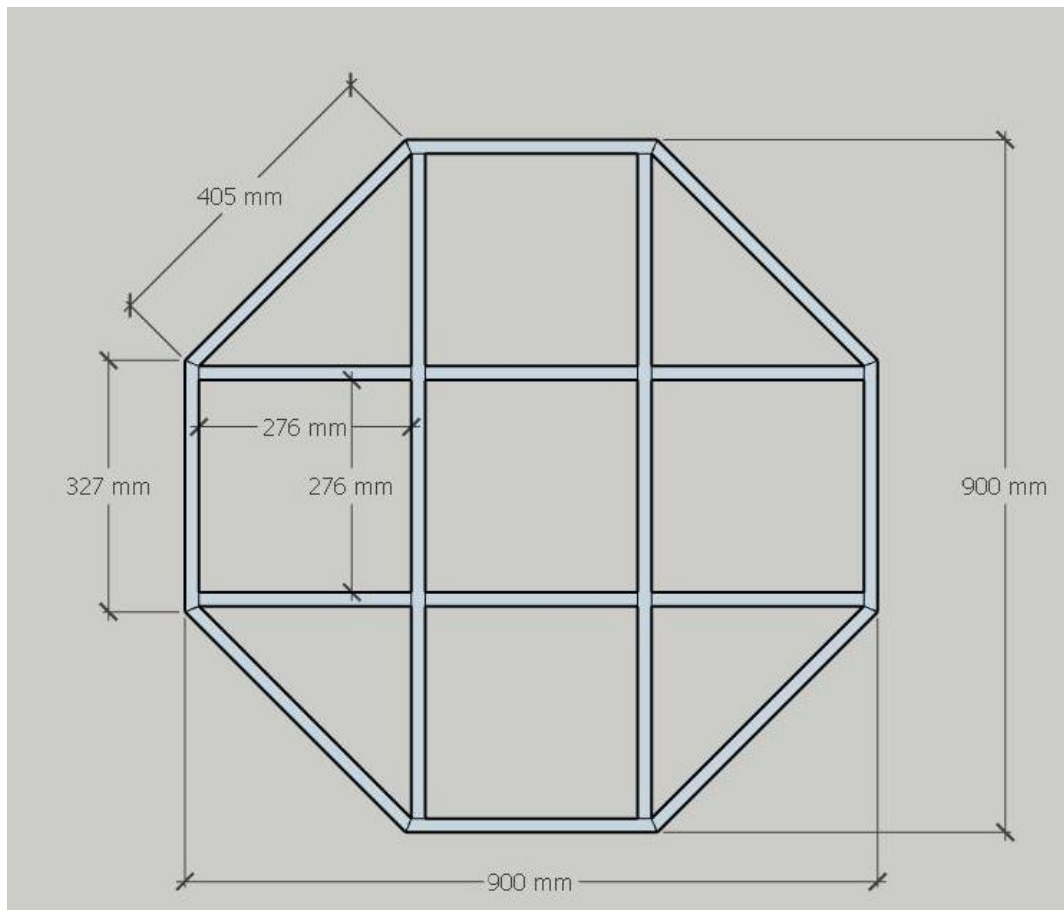
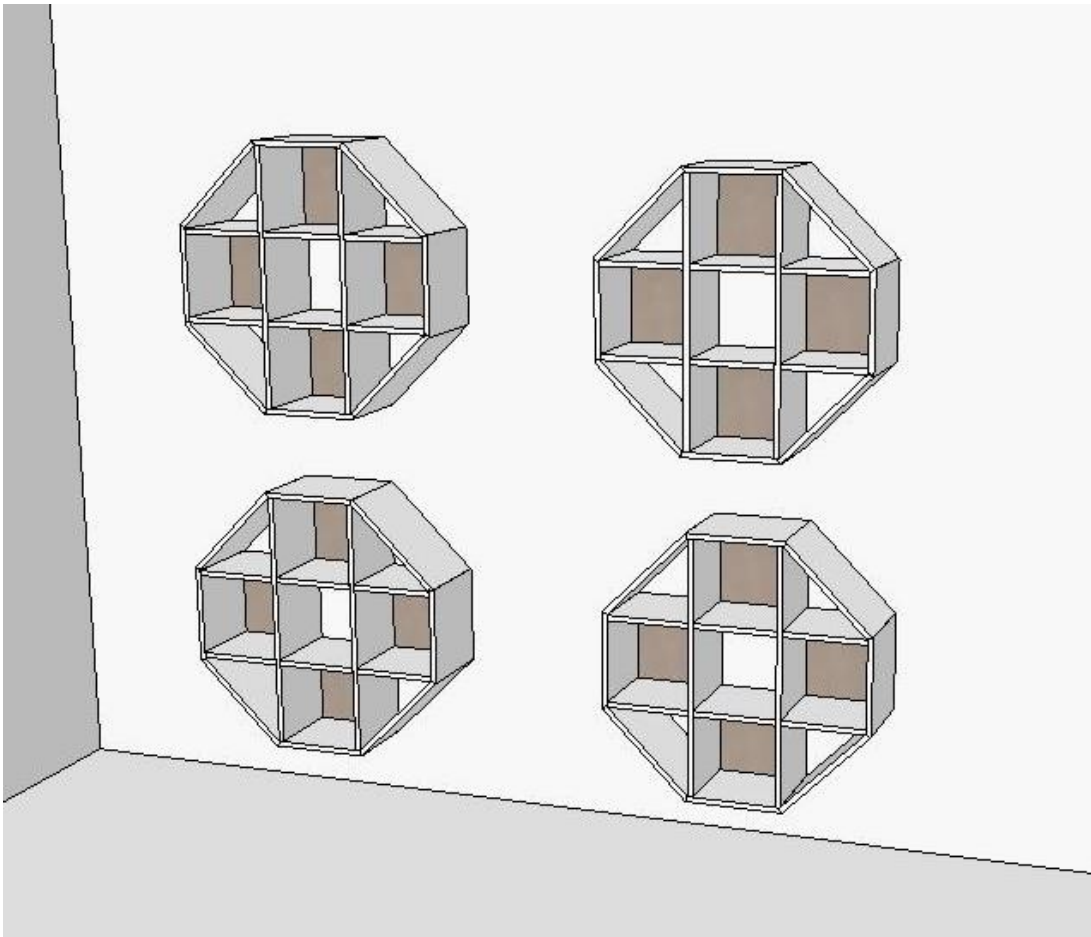


Anexa 7



Anexa 8







Anexa 10



Anexa 11



No	Denumirea	Canti-tatea	Un
1	Workstation PC1031MP: Intel Pentium Dual-Core G6405 2C/4T 4.1GHz/ MB H510M VGA, HDMI/ RAM 4GB DDR4 2666/ 2.5" SSD 256GB/ Case mATX 500W, OS Linux	22	buc.
2	23.8" ACER IPS LED KA242Y Glossy Black (1ms, 100M:1, 250cd, 1920x1080, 178"/178", VGA, HDMI, AMD Free-Sync, VESA) UM.QX2EE.005]	22	buc.
3	Wireless Keyboard & Mouse A4Tech FG10 i0, Multimedia,Splash Proof, 1600 dpi,4 buttons, Black/Blue,USB	22	buc.
4	configurare Workstation PC1031MP	22	buc.

No	Denumirea	Canti-tatea	Un
1	Headset SVEN AP-320M Black, Microphone on the cable, 4pin 3.5mm mini-jack, cable 1.2m	22	buc.
2	Surge Protector Sven Optima Base, 5 Sockets, 3m, BLACK flame-retardant material	22	buc.
3	Speakers SVEN "MS-305" Bluetooth, SD-card, USB, FM, Remoute, Black, 40w / 20w + 2x10w / 2.1	1	buc.
4	MFD Canon i-Sensys MF3010, p/c/color s; A4; 1200x600 dpi, 18 ppm, USB 2.0	1	buc.
5	Wi-Fi AC Dual Band TP-LINK Router, "Archer C24", 750Mbps, 4xAntennas	1	buc.

Nr.	Denumirea produsului	Unit.	Can-tea
1	Tabla interactiva SMART SBM777V-4, Videoproiector EPSON EB-685W, Kit de prindere pentru videoproiector, Cablu HDMI 10m, Prelungitor USB AM/AE 3m, Diagonala 77" (195.6 cm)	set.	1



