

Tunel Castel

L (tunelului) = 20 metri

H (Coloana principală) = 5 metri

l (intrarea) = 3 metri

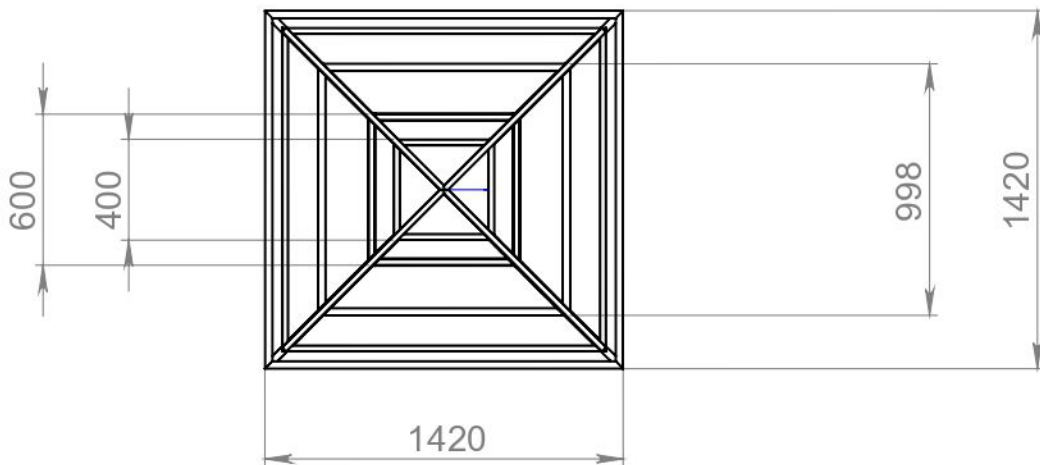
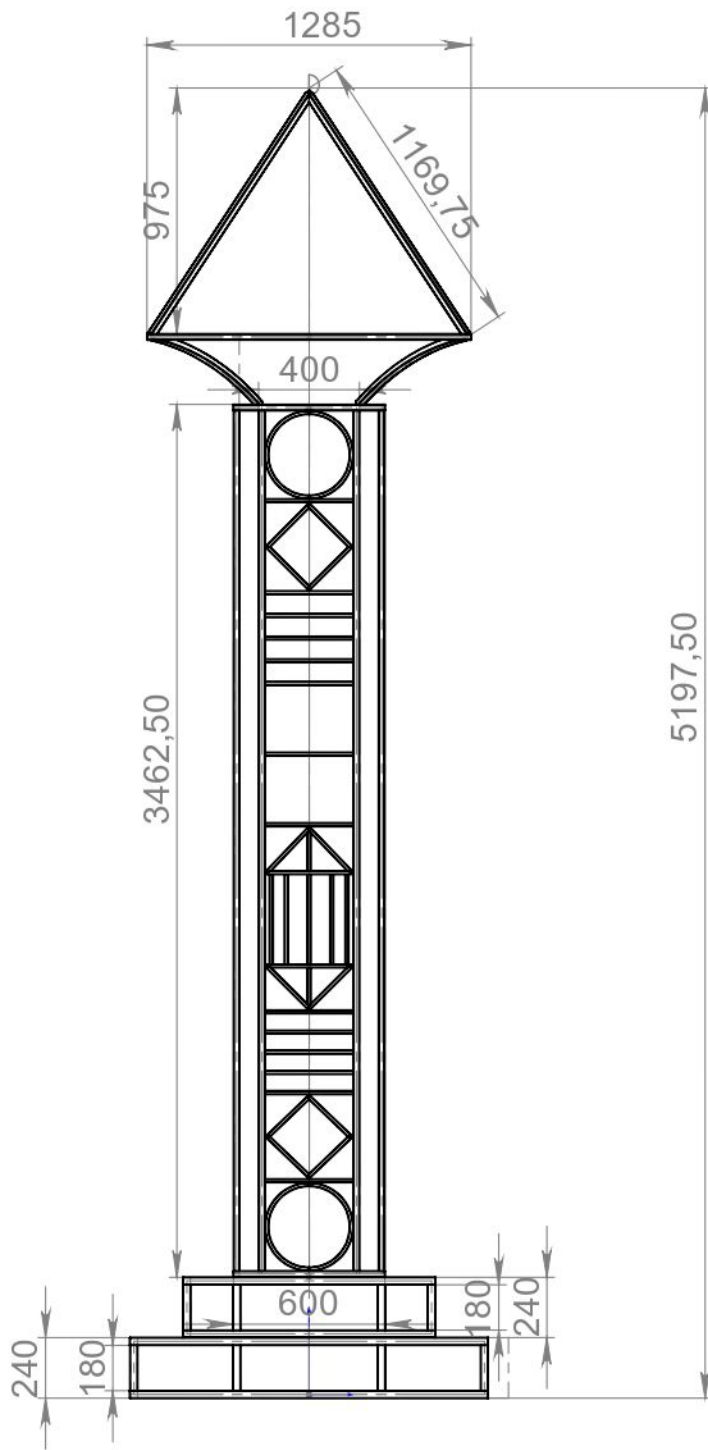
Profil metalic 30*30*1.5 = 600 metri

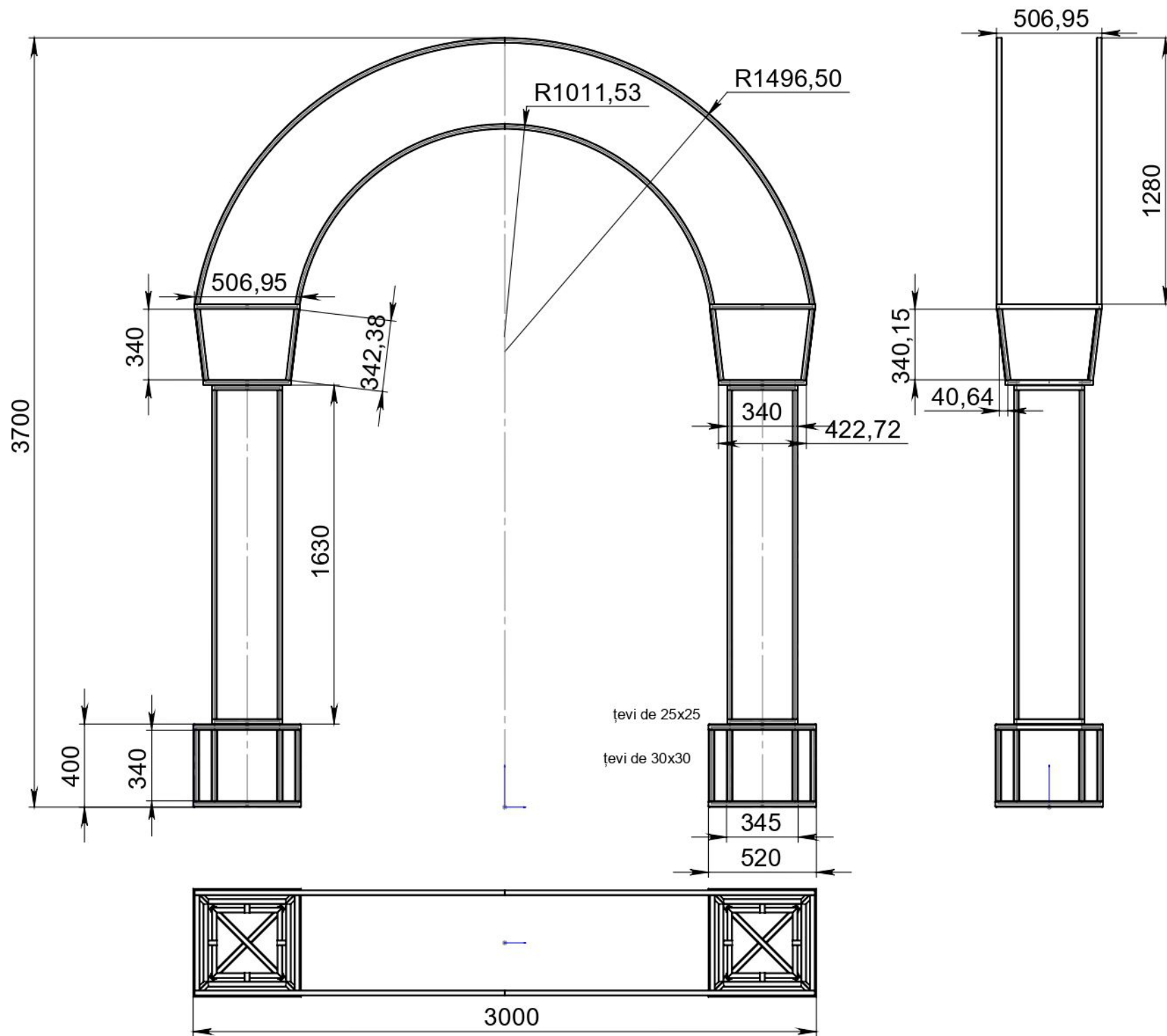
Profil metalic 25*25*1.5 = 700 metri

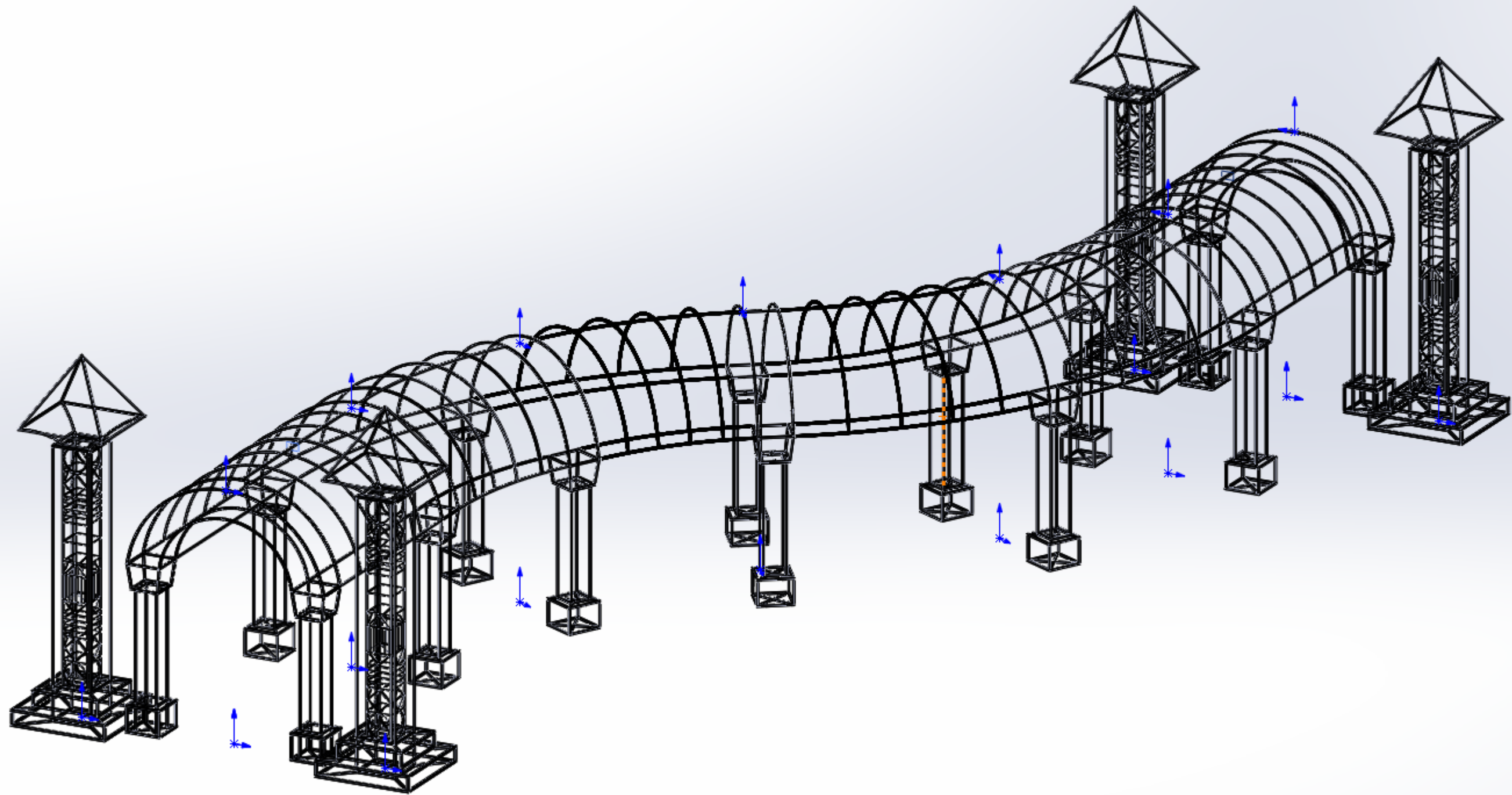
Fisie metalica 12*5 = 240 metri

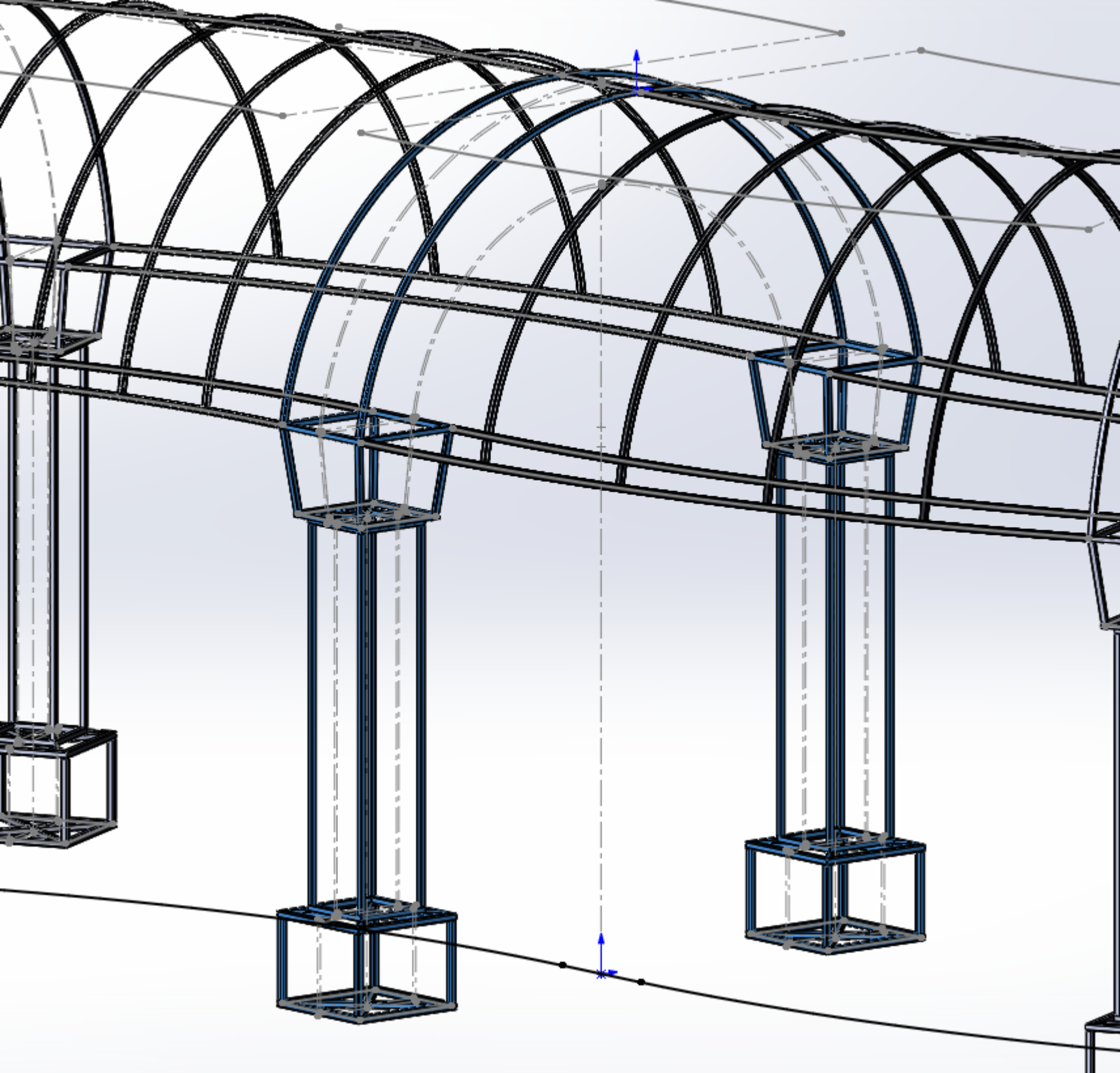
Grunt gf 021

Vopsea Elaz

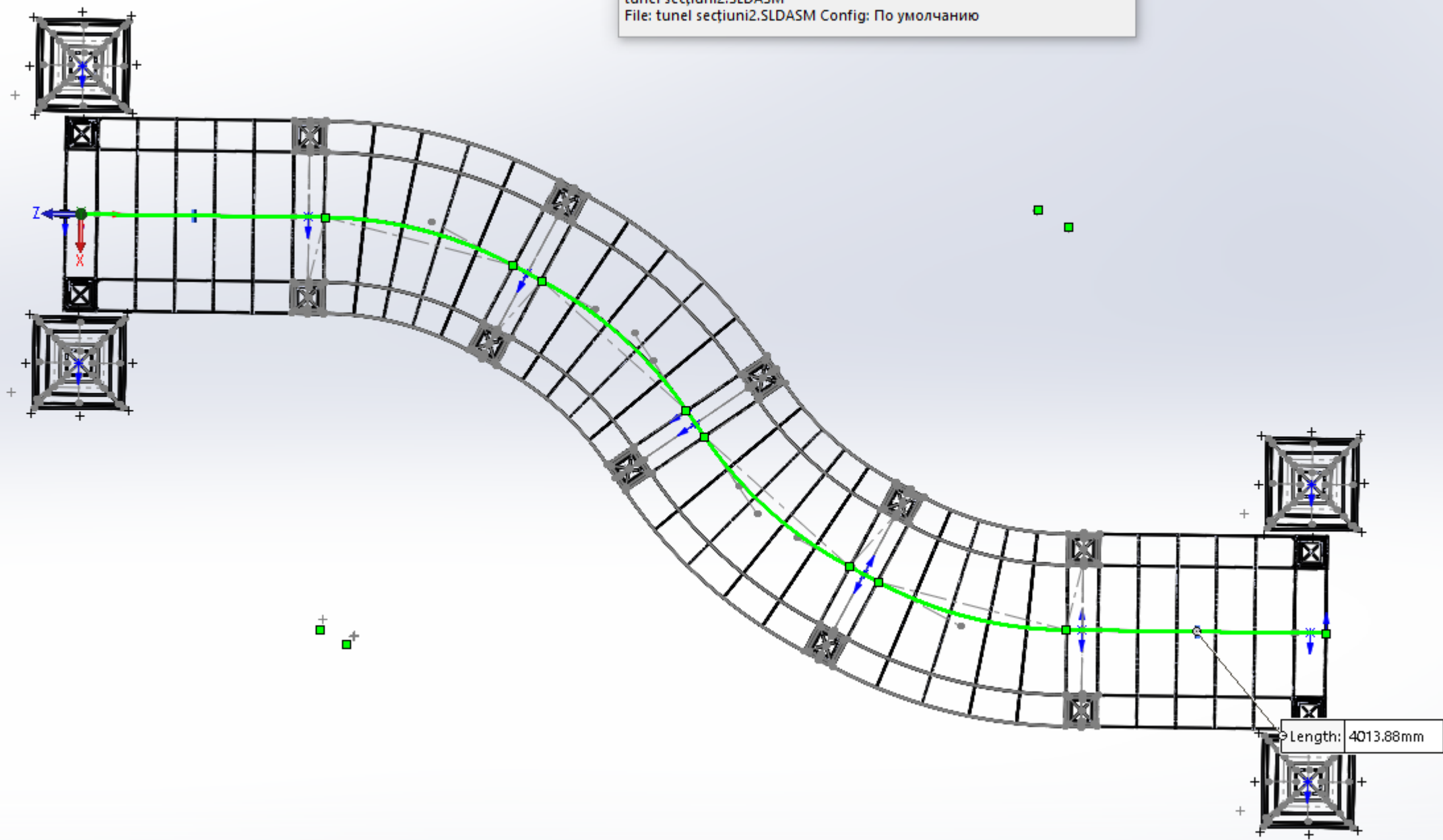








Total Length: 21596.28mm
tunel sečtioni2.SLDASM
File: tunel sečtioni2.SLDASM Config: По умолчанию



Length: 4013.88mm