

Professional streetlight luminaire for LED light sources.

TECHNICAL DATA

Mounting: on outriggers ø60/48mm
Body: high pressure die-cast aluminum
Lateral Surface Wind Exposed: 0.033 m²
Colour: gray
Diffuser: tempered glass

ELECTRICAL DATA

Power supply efficiency: >90%
Power: 220-240V 50/60Hz
Includes light source: yes
Type of equipment: ED
Electrical connection: luminaire equipped with 2x1.5 mm² wire with a length of 60 cm

OPTICAL DATA

Way of lighting: direct
Type of optic: O47 - for town and local roads, O29 - for town roads

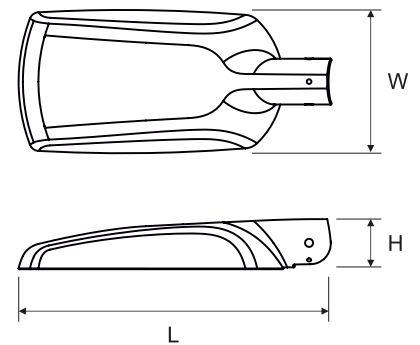
GENERAL DATA

ULOR / DLOR: 0% / 100%
Other remarks: the pole and boom are not part of the luminaire; 10kV surge protection
Warranty: 5 years
Application: local roads, express roads, town roads, residential area roads, area lighting, avenues, promenade, parking areas



Code	Luminaire power [W]	Lumen luminaire [lm]	Efficacy [lm/W]	Colour temperature [K]	CRI/Ra	Operating temperature range [°C]	LED lifetime [h]
Type: O47 optics							
130292.5L092.130.804	23	3400	148	4000	>70	-40 ... +55	(L90) 100 000
Type: O29 optics							
130292.5L022.030.804	25	3000	120	4000	>70	-40 ... +50	(L75) 100 000
130292.5L032.030.804	53	6650	125	4000	>70	-40 ... +50	(L75) 100 000

Code	Dimensions [mm] L W H	Pallet quantity	Quantity in package	Net weight [kg]
Type: O47 optics				
130292.5L092.130.804	505 230 80	70	1	3,5
Type: O29 optics				
130292.5L022.030.804	505 230 80	70	1	3,5
130292.5L032.030.804	505 230 80	70	1	3,5



OTHER PICTURES



Luminous flux tolerance +/- 10%.
Power tolerance +/- 5%.
Lighting beam, light intensity distribution and light efficiency were examined in accordance with the EN ISO 17025:2005 norm for EN13032 norm series and the LM-79 norm.
General Warranty Terms available on our website www.luglightfactory.com
Detailed information on luminous fluxes and powers for individual indexes are indicated on the product data sheet.
The parameters in the data sheet are given for Ta=25°C.
The operating temperature ranges apply only to luminaires used in the outdoor environment.

ACCESSORIES



□ 150172.01021 TRAFFIK LED Adjustable bracket ø60mm



150170.01025 5 field connectors IP68



150170.01022 2 field connectors IP68

150170.01023 3 field connectors IP68

150170.01024 4 field connectors IP68

Luminous flux tolerance +/- 10%.

Power tolerance +/- 5%.

Lighting beam, light intensity distribution and light efficiency were examined in accordance with the EN ISO 17025:2005 norm for EN13032 norm series and the LM-79 norm.

General Warranty Terms available on our website www.luglightfactory.com

Detailed information on luminous fluxes and powers for individual indexes are indicated on the product data sheet.

The parameters in the data sheet are given for $T_a=25^{\circ}\text{C}$.

The operating temperature ranges apply only to luminaires used in the outdoor environment.