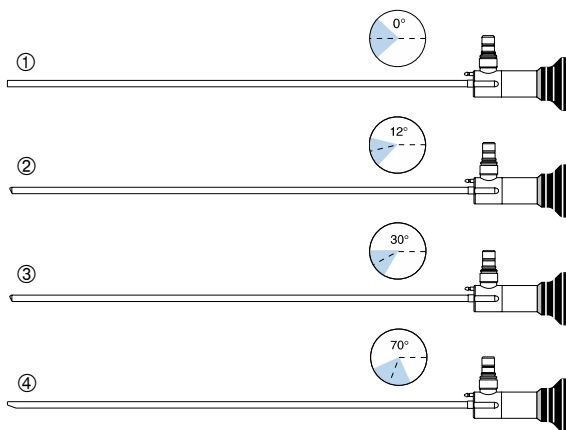


OES ELITE Telescopes


- ① **WA2T400A** Telescope "OES ELITE",
4 mm, 0°,
HD,
autoclavable

- ② **WA2T412A** Telescope "OES ELITE",
4 mm, 12°,
HD,
autoclavable

- ③ **WA2T430A** Telescope "OES ELITE",
4 mm, 30°,
HD,
autoclavable

- ④ **WA2T470A** Telescope "OES ELITE",
4 mm, 70°,
HD,
autoclavable

We recommend to use our resectoscopes and optical obturators with 12° telescopes.

Delivery includes:

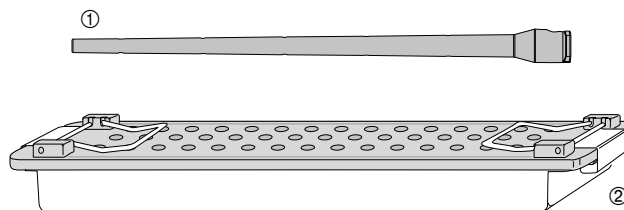
Protective tube WA2P400A.

Light-Guide Cable


- ① **WA03300A** Light-guide cable,
2.8 mm, 3 m,
CF type

- ② **A0460** Light-guide adapter,
for OES 4000 light-guide cables

- ③ **O0332** Light-guide adapter,
for Wolf light-guide cables

Accessories


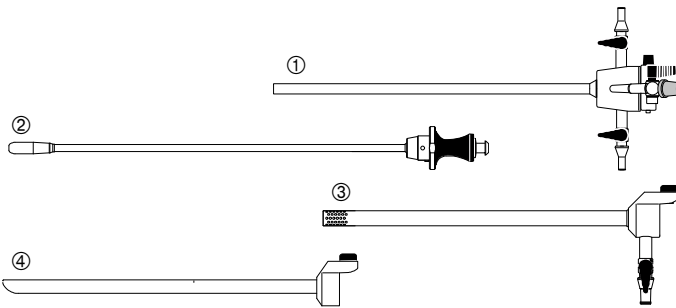
- ① **WA2P400A** Protective tube,
4 mm telescopes

- ② **WA05990A** Instrument tray,
for telescopes

For plastic instrument trays, see page 637.

Telescope


WA2T412A Telescope "OES ELITE",
4 mm, 12°,
HD, autoclavable
Delivery includes: protective tube WA2P400A.

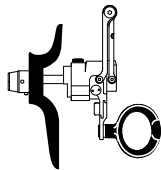
Sheaths


- ① **A3551** Sheath, 22 Fr.,
for urethrotome
 - 4 Fr. channel
 - With obturator A3560

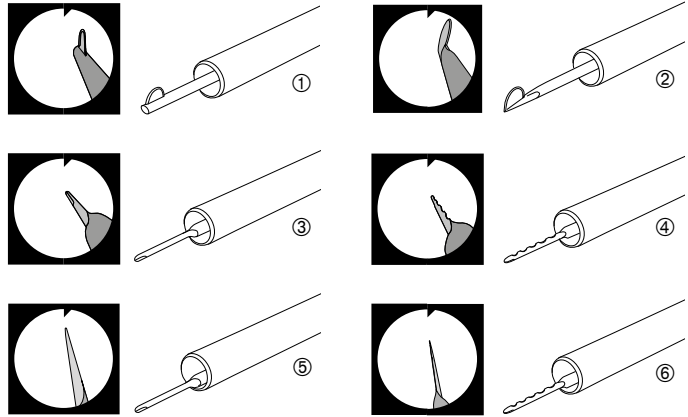
- ② **A3560** Obturator,
for A3551, 4 Fr. channel

- ③ **A3552** Outer sheath,
26 Fr., for A3551
 - For percutaneous access

- ④ **A3554** Insertion sleeve,
for A3551
 - For balloon catheter of max. 18 Fr.
 - For difficult anatomy to remain access to the bladder while instrument is withdrawn.

Working Element


A3550 Working element,
for A3551

Knives for Urethrotomy


- ① **A3556** Knife,
semi-circular,
4 Fr. channel,
for A3550
 - Knife A3556 must be used in combination
with a 3 or 4 Fr. ureter catheter.

- ② **A3558** Knife,
semi-circular,
for A3550

- ③ **A3555** Knife,
lancet type,
for A3550

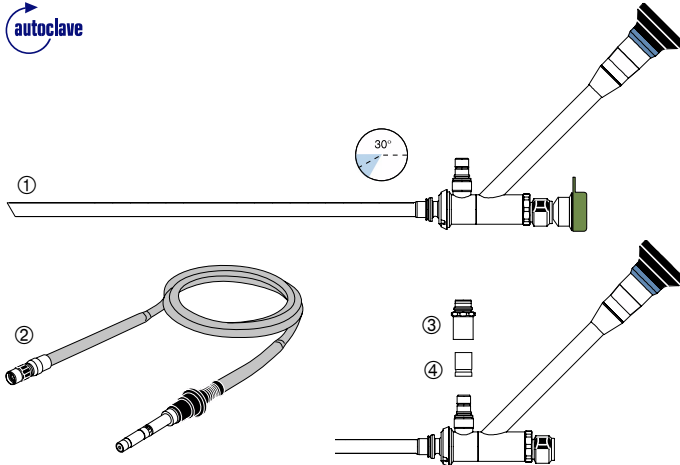
- ④ **A3557** Knife,
corrugated,
for A3550

- ⑤ **WA35055A** Knife,
lancet type, straight

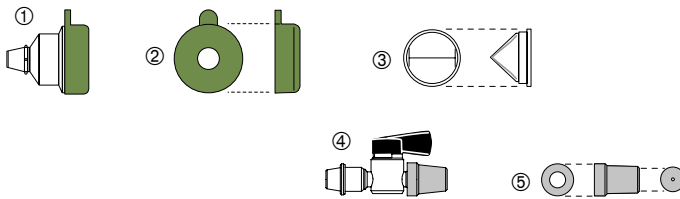
- ⑥ **WA35057A** Knife,
corrugated, straight

OES Pro Nephroscope

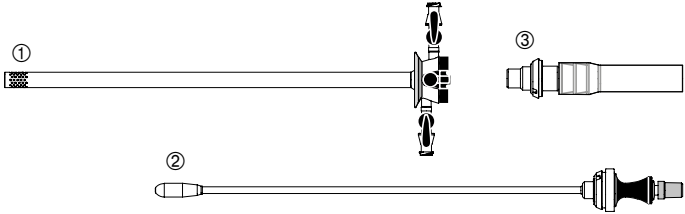
autoclave



- | | | |
|---|-----------------|---|
| ① | WA33036A | OP telescope, 30° direction of view, 4 mm channel
<i>Delivery includes: attachment A3342</i> |
| ② | WA03300A | Light-guide cable, 2.8 mm, 3 m, CF type |
| ③ | A0460 | Light-guide adapter, for OES 4000 light-guide cables |
| ④ | O0332 | Light-guide adapter, for Wolf light-guide cables |

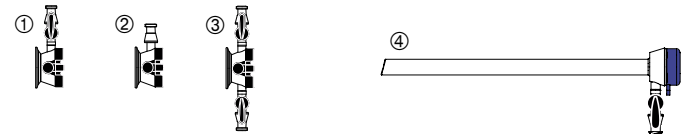
Attachments for Nephroscope


- | | | |
|---|-----------------|--|
| ① | A3342 | Attachment, with automatic valve |
| ② | A4558 | Sealing cap, 2 mm, 10 pcs., green, for A3342
▪ Reusable/non-sterile |
| ③ | A00001A | Valve, 10 pcs., transparent, for A3342 |
| ④ | WA33039A | Attachment, with stopcock |
| ⑤ | O0201 | Sealing cap, 2,8 mm, 10 pcs., gray, for WA33039A
▪ Reusable/non-sterile |

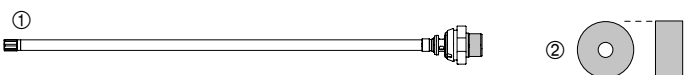
Continuous Flow Irrigation


- | | | |
|---|-----------------|---|
| ① | WA33037A | Outer sheath, 25 Fr., rotatable |
| | WA33035A | Outer sheath, 25 Fr., fixed |
| ② | WA33025A | Obturator, for WA33035A/-37A, for use of WA33036A as a compact cystoscope |
| ③ | WA33026A | Adapter, OES Pro outer sheath to Ellik evacuator/bladder syringe |

For bladder syringes, see page 55.

Overflow Irrigation


- | | | |
|---|-----------------|---|
| ① | A22051A | Irrigation port, for resection sheaths, 1 stopcock, rotatable |
| | A22054A | Irrigation port, for resection sheaths, 1 vertical stopcock, fixed |
| ② | A22052A | Irrigation port, for resection sheaths, 1 Luer-lock connector, rotatable |
| | A22055A | Irrigation port, for resection sheaths, 1 vertical Luer-lock connector, fixed |
| ③ | A22053A | Irrigation port, for resection sheaths, 2 stopcocks, rotatable |
| ④ | WA33038A | Sheath, acc. to Amplatz, 28 Fr. |

Use of Fiberscopes


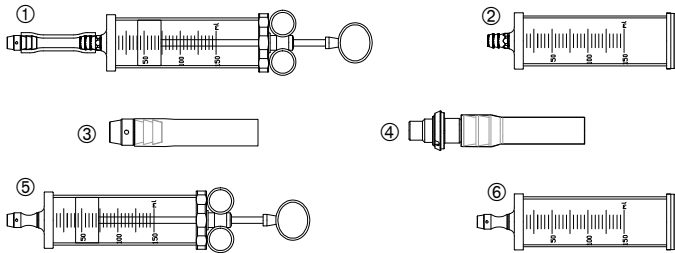
- | | | |
|---|-----------------|---|
| ① | WA33040A | Guiding tube, for CYF-5 cysto-nephroscopes |
| ② | A0206 | Sealing cap, 4 mm, 10 pcs., gray, for A3340
▪ Reusable/non-sterile |

For CYF cysto-nephroscopes, see page 169.

Accessories

Bladder Irrigation, Bougies, Urethrotome, Stopcocks and Tubings

Bladder Syringes



- | | | |
|---|-----------------|--|
| ① | A0555 | Syringe, 150 ml, with flexible clamping cone |
| ② | A0558 | Spare cylinder, for A0555 |
| ③ | O3664 | Tube, with cone, for O3657 spare for A0555 |
| ④ | WA33026A | Adapter, OES Pro outer sheath to Ellik and syringe |
| ⑤ | A0556 | Syringe, 150 ml, with clamping cone |
| ⑥ | A0559 | Spare cylinder, for A0556 |

System Chart Bladder Syringes

