

THE NETHERLANDS
(N E D E R L A N D)

COMMUNICATION

Concerning ⁽¹⁾:

- ~~approval granted~~
- approval extended
- ~~approval refused~~
- ~~approval withdrawn~~
- ~~production definitely discontinued~~

of a type of pneumatic tyre for motor vehicles pursuant to Regulation number 54.

Approval number: E4*54R00/23*38015*10


1. Manufacturer's name and address : Shandong Huasheng Rubber Co.,Ltd
Daozhuang Industry Zone, Guangrao
County,Dongying City,
Shandong Province 257336,
China (PRC)

2. Tyre type designation⁽²⁾
 - 2.1. Brand-name(s) or trade mark(s) : HUASHENG; JINXIN; TAITONG; HONGTU;
KAPSEN; SUNTRAC; NEXUS; XCEED;
ORNET; COTSA; NAMA; ALPINA; UNITED;
ADDO INDIA; SUPER G.T.; RADAR; SPRUT;
DOUBLE ROAD; GTONE TIRE; BUNGRAH
TIRES; RIXTONE TIRES; DONLLUP; TANZA;
HAMILTON ; TOYOMOTO; GOLDEN SHINE;
COUGAR TYRES; SAYAN; HUMSUNG;
TORYO; TEXXAN; TERRAKING; JINJI;
CRUZE; SATOYA; CRUZER; GREENTOUR;
NORMAKS; KETER; EQUINOX; AIMONE; A-
ONE; SUPER HAJARI; IPLAS; SOLACHEY;
CRYSTAL; STUD; ZEETEX; FIRELION;
MILEWAY; TOLEDO; CARGOFORCE;
ALTAIRE; TIREBOT; TREADSTONE;
SUNOTE; DAILYWAY; DOLLUP; ROOGOO;
LAZZA; SUPERIA; FULUTONG;
FURUITONG; HABLEAD; ROADBOSS;
TYSONKING; AENEAS; MESHILINE;
TOURTRACK; VIZZONI; GRAND;
ETERNITY; RODEO; COUGAR TYRES

- 2.2. Trade description(s)/ Commercial name(s) : HS101; ST907; NXS01; XD101; KR101; NF03; JS176; AF78; OR101; LX-H10; CF03; KT101; UT551; T035; RM101; OD101; ATR204; ZHE814; STL101; RS601; RST8; ST210; TS501; DR812; KA716; LM216; LLF05; RD601; H152; AVHS111; HMT89; TRANS228; MM696; SA795; CGR777; SN157; EGS888; TX112; CZ101; TV101; KTHD7; HS102; ST201; NXD01; XD962; OR962; KR102; ND11; CD11; JS102; AF72; LX-R68; KD102; UT552; T030; RM102; ZH812; ROADGRIP333; RT502; RDR2; ST340; TS502; KA728; H718; HMT98; TRANS231; MM102; SA655; AVHS666; SN167; DR813; CZ202; TV102; KTHD9; HS268; ST101; NXA01; XD306; OR306; KR168; NA02; JS268; AF18; LX-A86; CA02; UT652; T025; RM268; SGT888; ST230; TS505; ROADGRIP999; KA701; LM201; LLF08; H585; HMT86; TRANS201; MM118; SA695; GS602; CGR888; SN116; SU-022; TV118; RSL7; CZ103; NU702; KTMA1; HS109; TSR63; SN156; TV109; HS928; TV928; HS203; SD-066-II ; ND768; KTMD5; XD962ECO; XD306XLECO; OR962ECO; OR306XLECO; OD901; ZH802; S51; T62; T67; T74; KTHS7; OR102; XD102; NC11; LX-R67; DL102; ND102; XTRAC102; GA102; DR801; DR817; DR815; DR825; M501; M512; EQ268; EQ101; EQ102; EQ109; EQ203; EQ928; M513; M517; M515; M525; OR762; XD762; TX762; AIM100; AIM670; AIM690; A615; A618; A616; A660; A609; IP01; IP209; SY856; SY855; CS716; CS760; LLF12; TEC444; TEB134; KTHS1; ZOH10 vfm; ZOM10 vfm; ZDR11 vfm; FA18; FS11; FD12; FM59; FS19; FD87; DR101; DR308; DR503; DR528; DR536; CSL610; CDR931; CDM996; CAC880; AP220; AP215; CSL611; CDC983; AM810; AD665; AS102; AD676; SU200; SU300; TRANS243; TRANS212; TRANS209; DL101; RG101; LZ812; MH5200SUPER; FOREST MS2; OR306XL; OR206; XD206; XD106ECO; RG268; LZ301; RG102; LZ813; H150; MH1500SUPER; OR281; XD281; TX281; RG109; UT603; PILOT RS2; OR761; XD761; TX761; RG203; LLF07; STONEAGE; GD269; GD268; GD214; GD298; EXA779*; EXA889*; EXA777*; TEC230; TEC222; TED555; TEB132; RT201; RT202; RT207; RT218; RT211; RT221; CGR555; CGR898; S02; S09; RL503; S16; TKS16
3. If applicable, name and address of the manufacturer's representative : not applicable
4. Summarized description



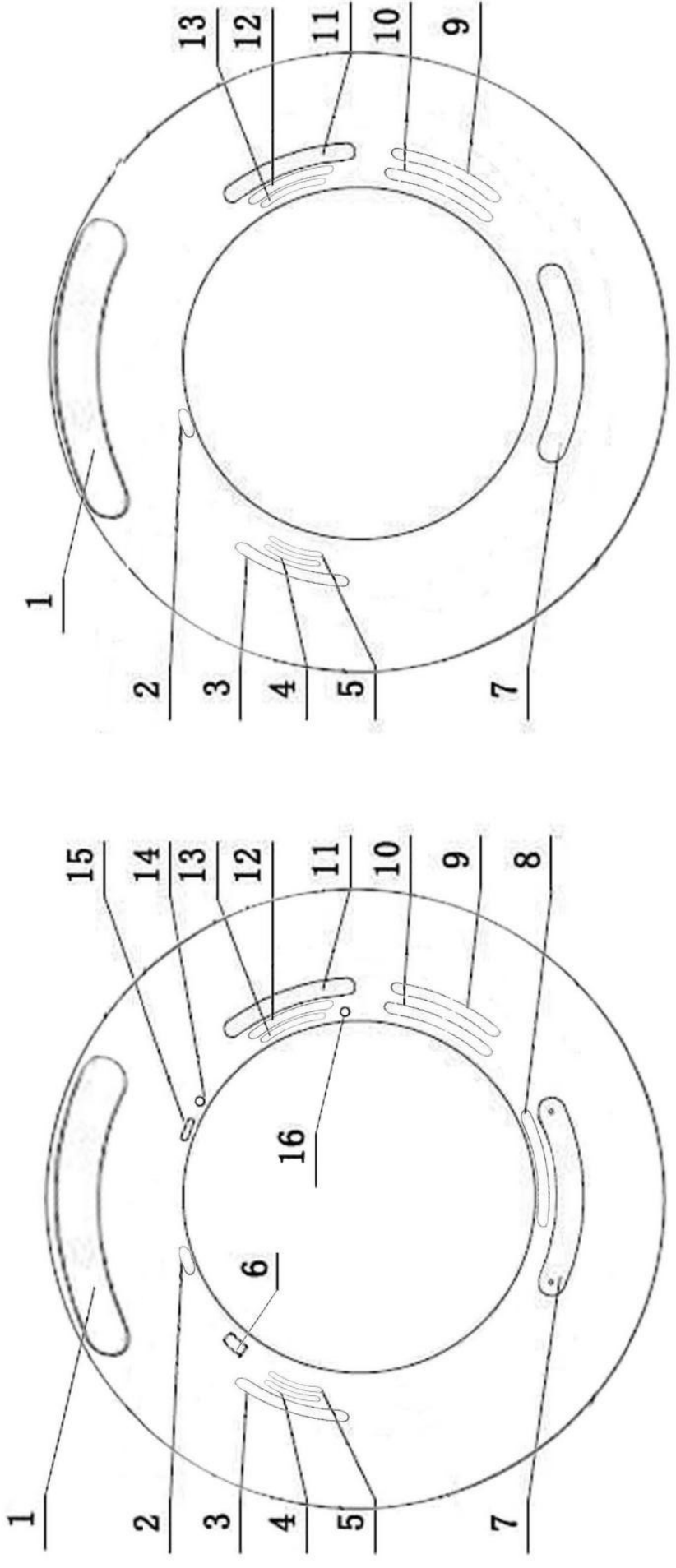
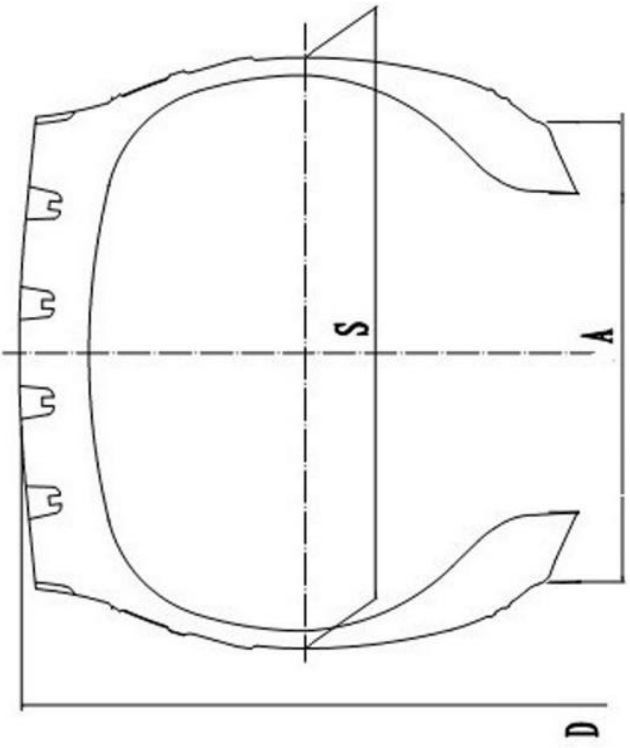
Approval number: E4*54R00/23*38015*10

- 4.1. Size of tyre : 315/80R22.5
- 4.2. Category of use : normal/~~snow/special~~⁽¹⁾
- 4.3. Structure : ~~diagonal(bias-ply)~~/radial⁽¹⁾
- 4.4. Tyre class : ~~E2~~/C3⁽¹⁾
- 4.5. Speed category symbol:
- 4.5.1. Nominal : L
- 4.5.2. additional (if applicable) : ---
- 4.6. Load-capacity indices:
- 4.6.1. Corresponding to nominal speed:
- single : 157
- twinned (dual) : 153
- 4.6.2. Corresponding to additional speed:
- single : ---
- twinned (dual) : ---
5. Technical service and, where applicable, test laboratory approved for purposes of approval or of verification of conformity : TÜV Rheinland Kraftfahrt GmbH
Typprüfstelle Fahrzeuge/Fahrzeugteile
Am Grauen Stein
D-51105 Köln (Poll)
6. Date of report issued by that service : October 09, 2020
7. Number of report issued by that service : 86-R54-3646/20-00
8. Reason(s) of extension (if applicable) : Upgrade the approval to the format of Revision 3;
Change of technical service;
Addition of tread patterns
9. Any remarks : ---
10. Place : Zoetermeer
11. Date : 19 October 2020
12. Signature : 
13. Annexed to this communication is a list of documents in the approval file deposited at the administrative service having delivered the approval and which can be obtained upon request.
- Application form relating to ECE approval for a pneumatic tyre pursuant to Regulation number 54.
 - The drawing of the tyre's sidewalls, tread and dimensioned cross-section.
 - The test report as mentioned in item 7.

R. R. van der Spek

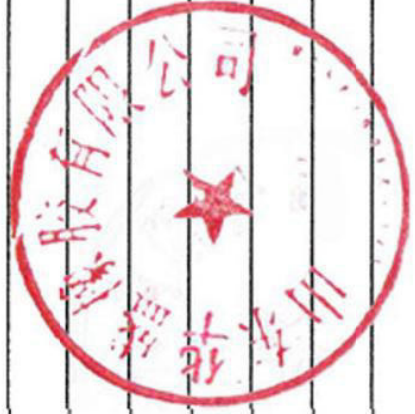
(1) Strike out what does not apply.

(2) A list of Brand name(s)/trademark(s) or Trade description(s)/ Commercial name(s) may be annexed to this communication



**TREAD PATTERN
REFER TO ATTACHMENT No.1**

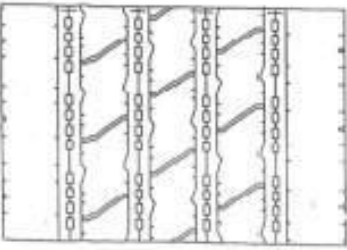

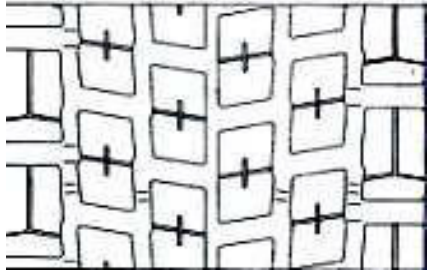
16	860 KPa
15	DATE CODE XXXX
14	E4 XXXXXX
13	STANDARD RIM 9.00
12	REGROOVABLE
11	315/80R22.5
10	MAX LOAD SINGLE 9090 LBS (4125 KG) DUAL 8050 LBS (3650KG) AT 125 PSI (860KPa) COLD LOAD RANGE
9	157/153 L 20PR
8	SAFETY WARNING
7	TREAD PATTERN REFER TO ATTACHMENT No.1
6	"CCC" "SNI"
5	TREAD 5 STEEL PLYS SIDEWALL 1 STEEL PLY
4	TUBELESS
3	RADIAL ALL STEEL
2	MADE IN CHINA
1	TRADEMARK REFER TO ATTACHMENT No.1



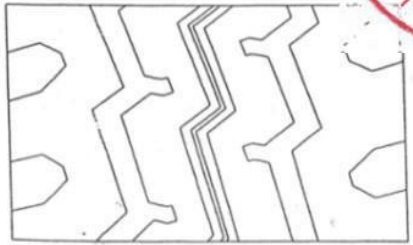

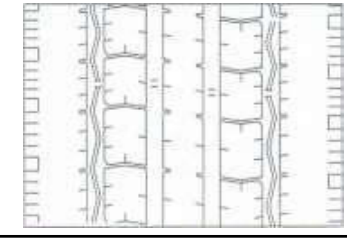
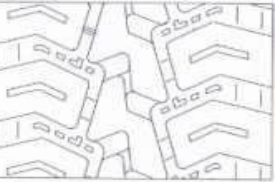
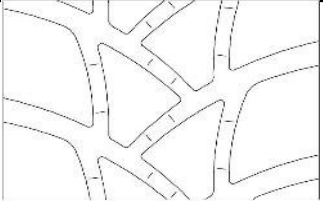
315/80R22.5	157/153 L	TUBELESS	1076	312	228.6	16.0
TIRE SIZE	LOAD INDEX	TYPE	D(mm)	S(mm)	A(mm)	SKID DEPTH(mm)

DRAWN BY	Zhang Yueguang	CHECKED BY	Wang Haizhen	APPROVED BY	Liu Zhiping	SHANDONG HUASHENG RUBBER CO., LTD
----------	----------------	------------	--------------	-------------	-------------	-----------------------------------

ATTACHMENT NO.1

TREAD PATTERN	TYRE SIZE :315/80R22.5 157/153L	APPROVAL NO.: E4-54R-0038015
	TRADE MARK	TREAD PATTERN NAME
	 HUASHENG; JINXIN; TAITONG; HONGTU; KAPSEN; SUNTRAC; NEXUS; XCEED; ORNET; COTSA; NAMA; ALPINA; UNITED; ADDO INDIA; SUPER G.T.; RADAR; SPRUT; DOUBLE ROAD; GTONE TIRE; BUNGRAH TIRES; RIXTONE TIRES; DONLLUP; TANZA; HAMILTON ; TOYOMOTO; GOLDEN SHINE; COUGAR TYRES; SAYAN; HUMSUNG; TORYO; TEXXAN; TERRAKING; JINJI; CRUZE; SATOYA; CRUZER; GREENTOUR; NORMAKS; KETER; EQUINOX; AIMONE; A-ONE; SUPER HAJARI; IPLAS; SOLACHEY; CRYSTAL; STUD; ZEETEX; FIRELION; MILEWAY; TOLEDO; CARGOFORCE; ALTAIRE; TIREBOT; TREADSTONE; SUNOTE; DAILYWAY; DOLLUP; ROOGOO; LAZZA; SUPERIA; FULUTONG; FURUITONG; HABLEAD; ROADBOSS; TYSONKING; AENEAS; MESHILINE; TOURTRACK; VIZZONI; GRAND; ETERNITY; RODEO; COUGAR TYRES	HS101; ST907; NXS01; XD101; KR101; NF03; JS176; AF78; OR101; LX-H10; CF03; KT101; UT551; T035; RM101; OD101; ATR204; ZHE814; STL101; RS601; RST8; ST210; TS501; DR812; KA716; LM216; LLF05; RD601; H152; AVHS111; HMT89; MM696; SA795; CGR777; SN157; EGS888; TX112; CZ101; TV101; M512; EQ101; A615; SY856; CS760; KTHS1; ZOH10 vfm; FS11; DR101; CSL610; AP215; SU200; TRANS228; KTHD7; DL101; RG101; LZ812; GD214; EXA779*; TEC230; RT202
		HS102; ST201; NXD01; XD962; OR962; KR102; ND11; CD11; JS102; AF72; LX-R68; KD102; UT552; T030; RM102; ZH812; ROADGRIP333; RDR2; ST340; TS502; KA728; H718; HMT98; MM102; SA655; AVHS666; SN167; DR813; CZ202; TV102; KTHD9; XD962ECO; OR962ECO; OD901; ZH802; S51; T62; T67; T74; KTHS7; OR102; XD102; NC11; LX-R67; DL102; ND102; XTRAC102; GA102; EQ102; M513; OR762; XD762; TX762; A616; LLF12; TEB134; ZDR11 vfm; FD12; DR536; CDR931; AD665; TRANS231; RG102; LZ813; GD298; RT211; CGR555

ATTACHMENT NO.1

TREAD PATTERN	TYRE SIZE :315/80R22.5 157/153L	APPROVAL NO.: E4-54R-0038015
	TRADE MARK	TREAD PATTERN NAME
	 HUASHENG; JINXIN; TAITONG; HONGTU; KAPSEN; SUNTRAC; NEXUS; XCEED; ORNET; COTSA; NAMA; ALPINA; UNITED; ADDO INDIA; SUPER G.T.; RADAR; SPRUT; DOUBLE ROAD; GTONE TIRE; BUNGRAH TIRES; RIXTONE TIRES; DONLLUP; TANZA; HAMILTON ; TOYOMOTO; GOLDEN SHINE; COUGAR TYRES; SAYAN; HUMSUNG; TORYO; TEXXAN; TERRAKING; JINJI; CRUZE; SATOYA; CRUZER; GREENTOUR; NORMAKS; KETER; EQUINOX; AIMONE; A-ONE; SUPER HAJARI; IPLAS; SOLACHEY; CRYSTAL; STUD; ZEETEX; FIRELION; MILEWAY; TOLEDO; CARGOFORCE; ALTAIRE; TIREBOT; TREADSTONE; SUNOTE; DAILYWAY; DOLLUP; ROOGOO; LAZZA; SUPERIA; FULUTONG; FURUITONG; HABLEAD; ROADBOSS; TYSONKING; AENEAS; MESHILINE; TOURTRACK; VIZZONI; GRAND; ETERNITY; RODEO; COUGAR TYRES	HS206; ST101; NXS01; XD306; OR306; KR106; NF02; JS268; AF18; LX-A86; CA02; UT652; T025; RM268; SGT888; ST230; TS505; KA701; LM201; LLF08; RT502; H585; HMT86; MM118; SA695; GS602; CGR888; SN116; SU-022; TV118; RSL7; CZ103; NU702; KTMA1; XD306XLECO; OR306XLECO; DR801; M501; EQ268; AIM100; A660; IP01; SY855; CS716; TEC444; ZOM10 vfm; FA18; DR308; ROADGRIP999; CAC880; AP220; TRANS201; MH5200SUPE R; FOREST MS2; OR306XL; OR206; XD206; XD106ECO; RG268; LZ204; CD260; CD268; EXA777*; RT204
		HS109; TSR63; SN156; TV109; DR817; EQ109; M517; A618; IP209; FS19; CSL611; AS102; TRANS243; H150; MH1500SUPER; OR281; XD281; TX281; RG109; LLF07; EXA889*; TEC222; RT207
		HS928; TV928; DR825; EQ928; M525; AIM670; A609; FD87; DR528; CDC983; AD676; SU300; TRANS212; TED555; RT218
		HS203; SD-066-II ; ND768; KTMD5; DR815; EQ203; M515; AIM690; FM59; DR503; CDM996; AM810; TRANS209; UT603; PILOT RS2; OR761; XD761; TX761; RG203; STONEAGE; TEB132; RT221; CGR898