

SCORE® II

Primary Total Knee System
Mobile bearing
Cemented or Cementless



Appendix
to SCORE®
Surgical
Techniques
4-in-1 & 5-in-1
Conventional
Instrumentations

 AMPLITUDE®

OVERVIEW OF INSTRUMENTATION

This surgical technique describes the use of the conventional instrumentation for primary TKA SCORE®. The steps below replace the sections in the SCORE® Surgical Technique documents TO.G.GB.009 and TO.G.GB.021 on:

- prosthetic components,
- femoral preparation,
- tibial preparation,
- Instrumentation constitution.

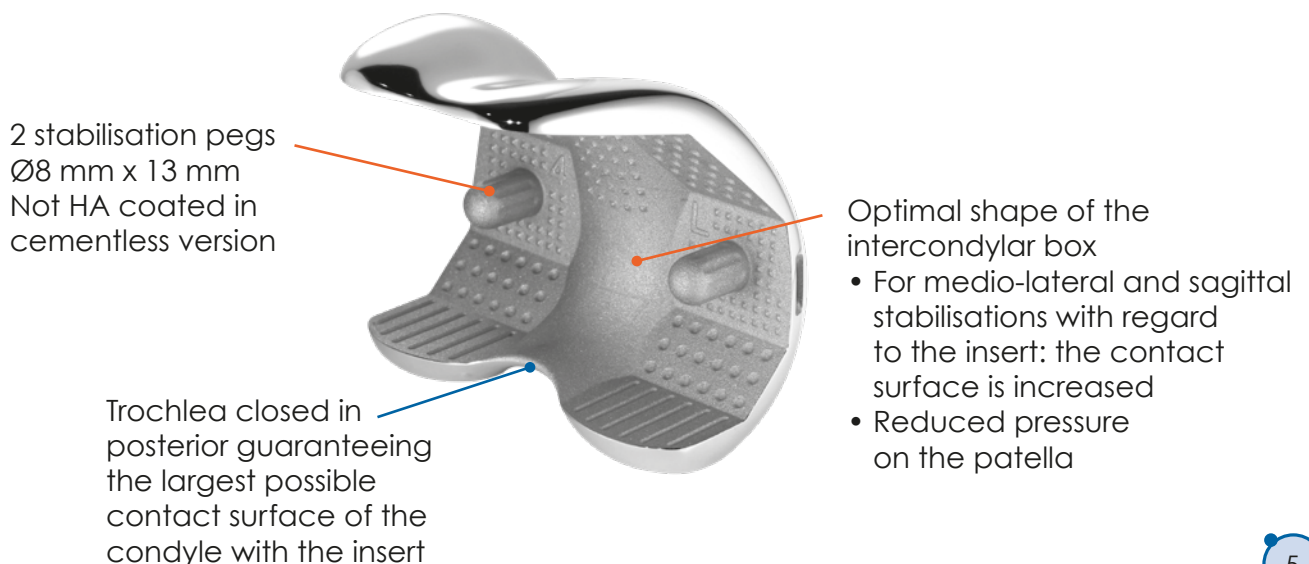
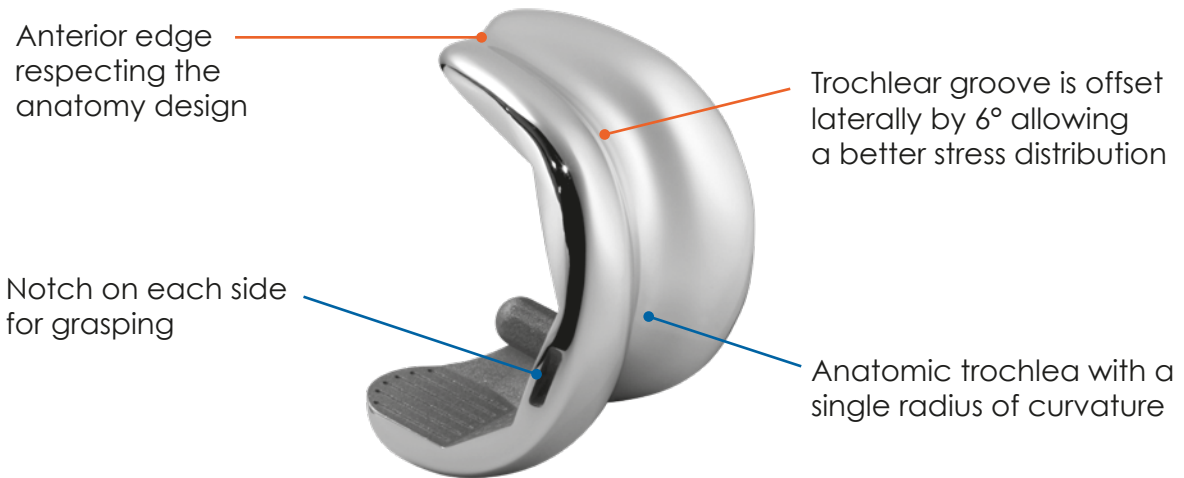
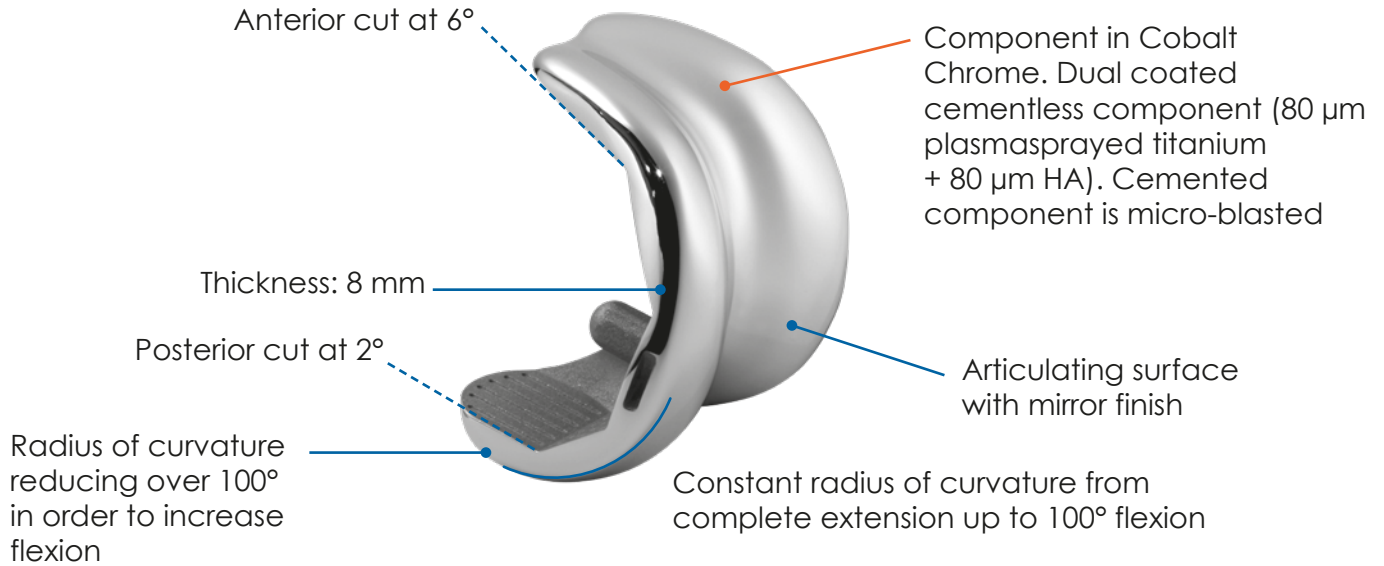
The other steps remain unchanged.

SCORE® II PRIMARY TOTAL KNEE SYSTEM

- The SCORE® II TKS is a PCL-sacrificing, mobile bearing implant in rotation for primary knee arthroplasty.
- The stability is provided by sagittal and frontal congruency through the extension to the flexion.



FEMORAL COMPONENT



SCORE® II PRIMARY TOTAL KNEE SYSTEM

Polyethylene patellar implant available in three versions:

**Onset patellar implant
cemented**

Thickness:
8 mm



**Inset patellar implant
cemented**

Thickness:
7 mm



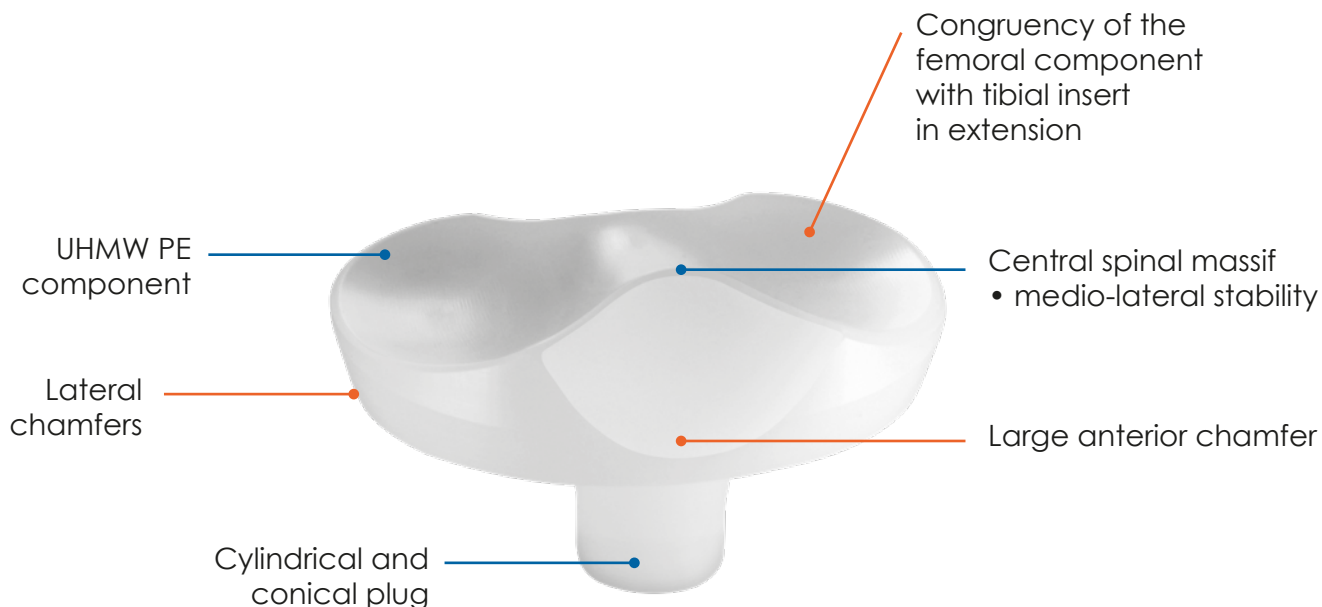
**Inset patellar implant
cementless**

Thickness:
8,5 mm



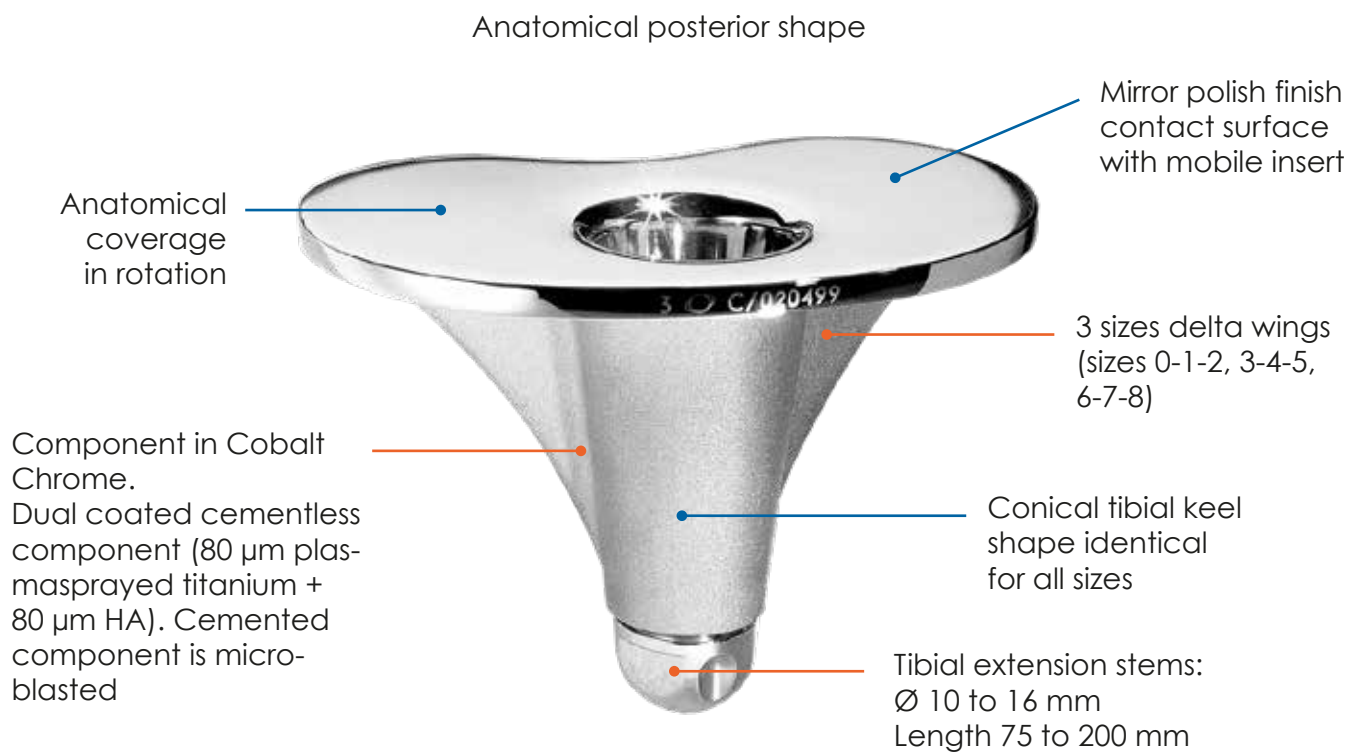
TIBIAL COMPONENTS

Rotative mobility of the tibial insert:



TIBIAL COMPONENTS

Tibial baseplate:



Possibility of using (e.g. in cases of uni revision, or TKA, or after osteotomy):

- Tibial extension stems:

- Ø 10 to 16 mm
- Length 75 to 200 mm



- Tibial half-wedges:

- Thickness 5 mm
- Thickness 10 mm
- Thickness 15 mm



- Offset connectors:

- 2 mm
- 4 mm
- 6 mm



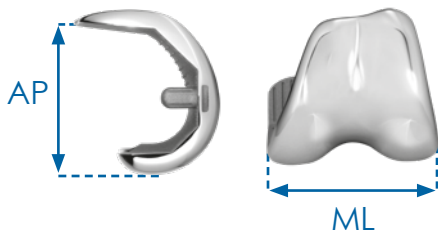
PRODUCT RANGE

PRODUCT RANGE

- Femoral components:**

- Cemented: 9 sizes (0 and 8 are optional)
- Cementless: 9 sizes (0 and 8 are optional)

ΔAP: increment between sizes: 2.66 mm



| | 0 | 1 | 2 | 3 | 4 | 5 | 6 | 7 | 8 |
|----|------|------|------|------|------|------|------|------|------|
| AP | 44.6 | 47.1 | 49.7 | 52.3 | 54.9 | 57.5 | 60.1 | 62.6 | 65.3 |
| ML | 56 | 58.1 | 60.5 | 63.1 | 66 | 69.1 | 72.4 | 76 | 80 |

- Patellar components:**

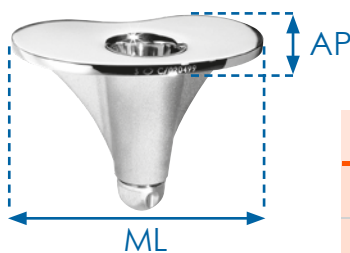
- Resurfacing patellar implant - cemented: Ø 30, 33 and 36 mm
- Inset patellar implant - cemented: Ø 23, 26 and 29 mm
- Inset patellar implant - cementless: Ø 23, 26 and 29 mm

- Tibial components:**

- Cemented: 9 sizes (0 and 8 are optional)
- Cementless: 9 sizes (0 and 8 are optional))

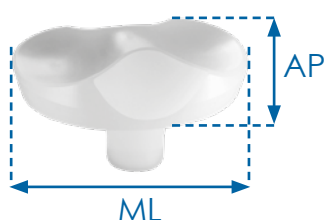
ΔAP: 2.3 mm

ΔML: 3.5 mm



| | 0 | 1 | 2 | 3 | 4 | 5 | 6 | 7 | 8 |
|----|------|------|------|------|------|------|------|------|------|
| AP | 39.2 | 41.4 | 43.6 | 45.9 | 48.2 | 50.5 | 52.8 | 55 | 57.2 |
| ML | 60 | 63.5 | 67 | 70.5 | 74 | 77.5 | 81 | 84.5 | 88 |

- Inserts: 9 sizes (0 and 8 are optional)
6 heights (10, 11, 12, 14, 16 and 20 mm)



| | 0 | 1 | 2 | 3 | 4 | 5 | 6 | 7 | 8 |
|----|------|------|------|------|----|------|------|------|------|
| AP | 35.6 | 37.7 | 39.8 | 41.9 | 44 | 46.1 | 48.2 | 50.3 | 52.4 |
| ML | 56 | 58.1 | 60.5 | 63.1 | 66 | 69.1 | 72.4 | 76 | 80 |

COMPONENTS COMPATIBILITY

| SIZE | | Insert / Femoral component | | | | | | | | |
|------------------|---|----------------------------|---|---|---|---|---|---|---|---|
| | | 0 | 1 | 2 | 3 | 4 | 5 | 6 | 7 | 8 |
| Tibial baseplate | 0 | • | • | • | | | | | | |
| | 1 | • | • | • | • | | | | | |
| | 2 | • | • | • | • | • | | | | |
| | 3 | | • | • | • | • | • | | | |
| | 4 | | | • | • | • | • | • | | |
| | 5 | | | | • | • | • | • | • | |
| | 6 | | | | | • | • | • | • | • |
| | 7 | | | | | | • | • | • | • |
| | 8 | | | | | | | • | • | • |

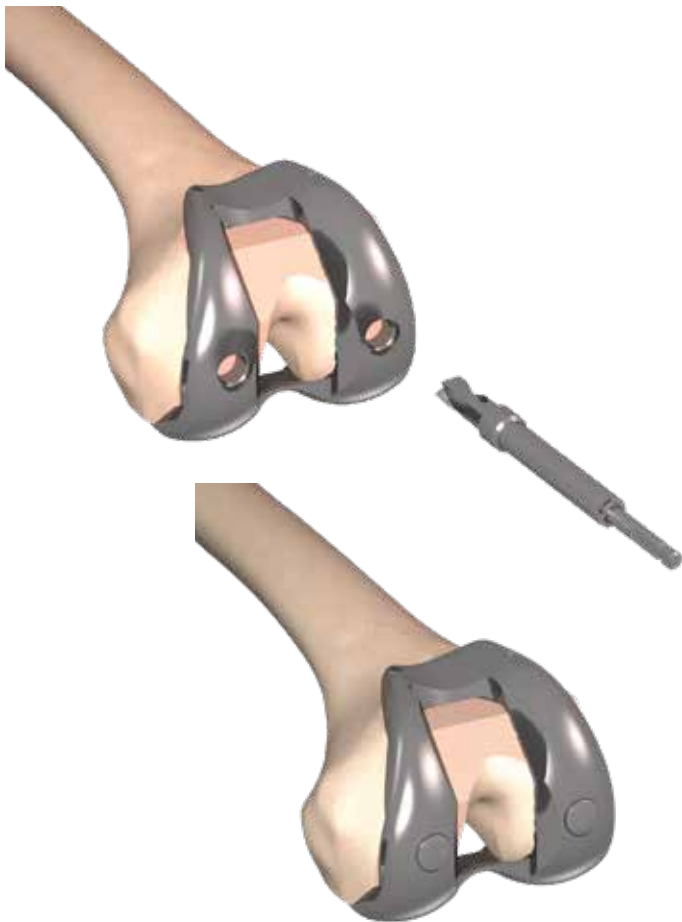
The SCORE® II femoral implant is compatible with the whole range of patellar implants.

REMINDER

This surgical technique describes how to use the instrumentation properly.

The surgeon is fully responsible for choosing the surgical approach and technique.

FEMORAL PREPARATION

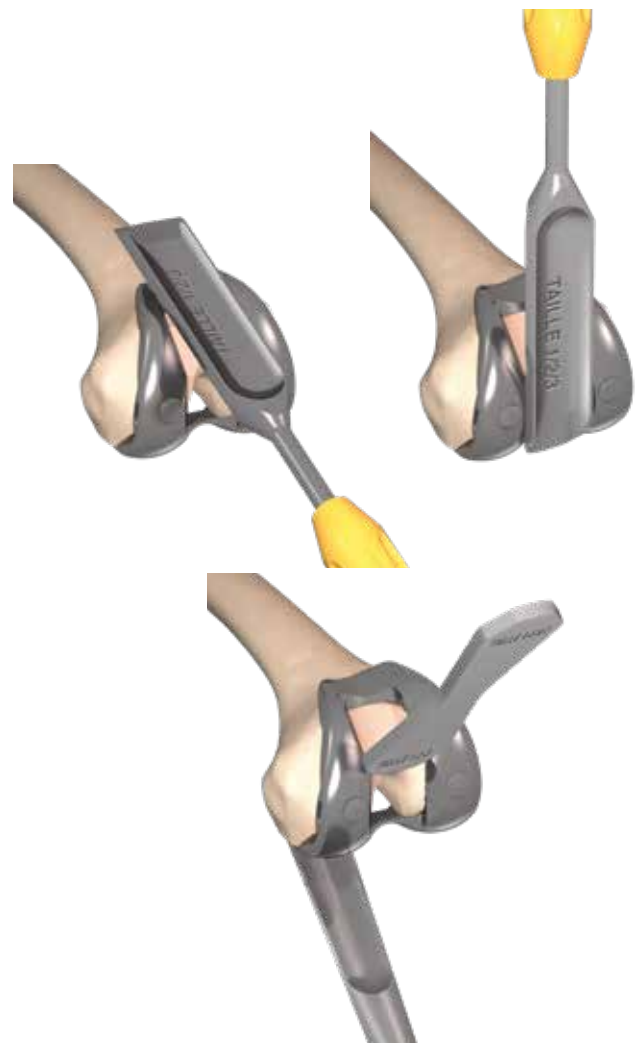


1. Mediolateral femoral adjustment:

- Impact the SCORE® II Femoral Trial component using the Femoral Condyle Holder (trial position), by choosing a mediolateral position.
- Finish impacting the trial component using the Femoral Component Impactor.
- Drill the first anchorage peg with the stop Drill and insert the Trial Peg.
- Drill the second peg and insert the second Trial Peg.

2. Trochlear groove preparation:

- Prepare the intercondylar notch using the cutting end of the SCORE® II Femoral Rasp that corresponds to the size of the selected femoral component. The rasp is constrained on two sides. Finalise the preparation with the roughened end.
- Use the SCORE® II Intercondylar Control Gauge to ensure the intercondylar notch has been prepared correctly.
- Resect any posterior osteophytes with the Cutting Gauge.



TIBIAL PLATEAU PREPARATION



1. Trial baseplate positioning:

- Determine the size of the tibial baseplate. The baseplate can be two size larger or smaller than the size of the femoral component.
- Position the Trial Baseplate onto the tibial cut.
- Fix the baseplate with two Headed Pins length 30 mm.

NOTE

Depending on the bone quality, a Drill Bit, Ø3.2, length 145 mm can be used to make pilot holes for the pins

2. Trials:

- Position the mobile Trial Insert of a size corresponding to the femur.

NOTE

The insert size must always be identical to the femoral size

3. Preparation:

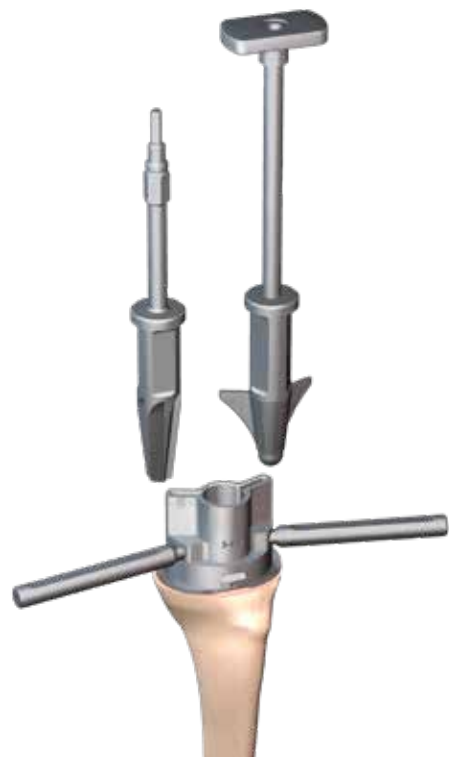
NOTE

Remove the 2 Headless Pins

- Position the appropriate sized Punch Guide onto the Trial Baseplate.
- Ream using the tibial Reamer until the stop (same for all sizes).
- Impact the appropriate sized Punch for Tibial Extension Stem (in case of a sclerotic bone or after osteotomy, prepare first with an osteotome).

NOTE

Use the Punch for Tibial Extension Stem Size 1/2 for a baseplate size 0 and the Size 6/7 for a baseplate size 8





INSTRUMENTATION

INSTRUMENTATION

The SCORE® conventional instrumentation consists of 6 trays:

- SCORE® Common Set
- SCORE® Tibial Resection Set
- SCORE® Tibial Trials Set
- 4-in-1 Femoral Resection Set or 5-in-1 Femoral Resection Set
- SCORE® II Femoral Trials Set
- Patellar resection Set or Patellar Reaming Set

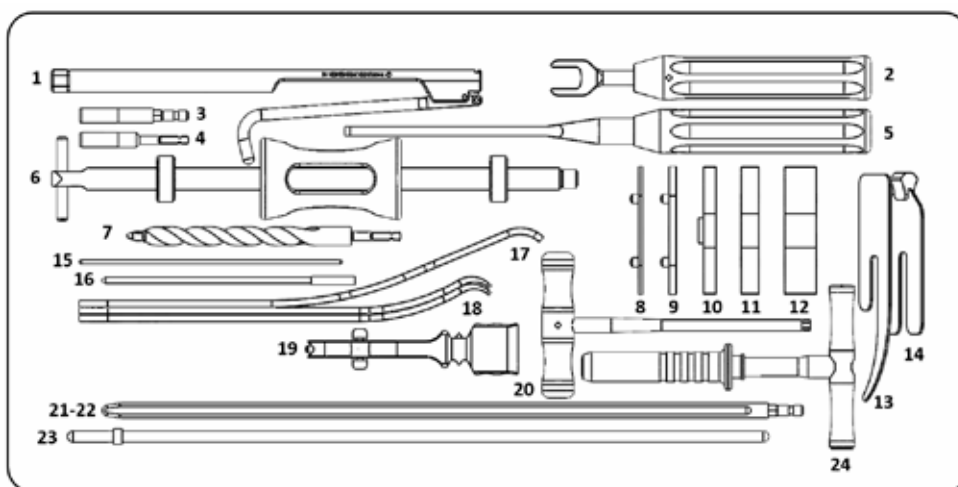
In addition:

- SCORE® II Optional set 4-in-1- Size 0 or Optional set 5-in-1- Size 0
- SCORE® II Optional set 4-in-1- Size 8 or Optional set 5-in-1- Size 8
- MIS 5-in-1 Femoral Resection Set
- Gap Balancing Simulator Set
- SCORE® Tibial Revision Set
- Sterile large saw blades
- Sterile medium saw blades

INSTRUMENTATION

SCORE®: Common Set

2-0299994

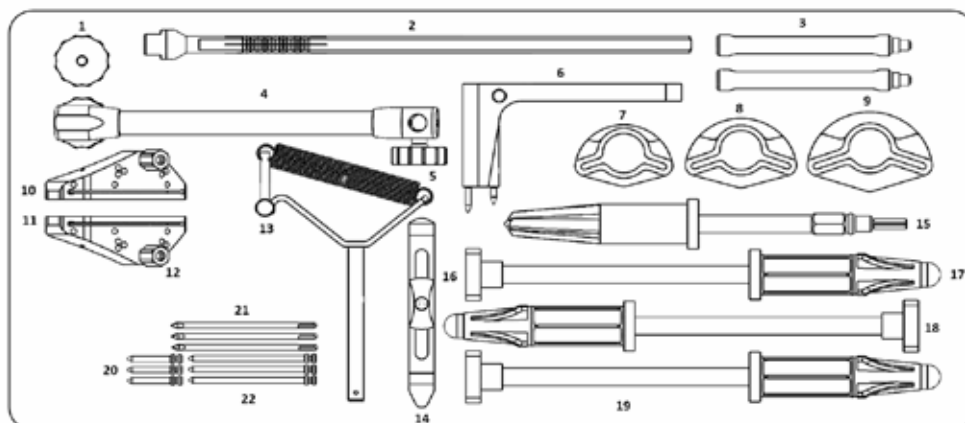


| Item | Name | Product No. | Qty |
|------|--|-------------|-----|
| 1 | Pin Extractor | 2-0201500 | 1 |
| 2 | Wrench for Keel | 2-0205500 | 1 |
| 3 | Universal Connector for Self-Drilling K-wire | 2-0201100 | 1 |
| 4 | AO Connector for Self-Drilling K-wire | 2-0201200 | 1 |
| 5 | Flat Rasp | 2-0206800 | 1 |
| 6 | Slaphammer | 2-0206900 | 1 |
| 7 | Intramedullary Drill Bit | 2-0200100 | 1 |
| 8 | Wedge - height 2 mm for spacer | 2-0207002 | 1 |
| 9 | Wedge - height 4 mm for spacer | 2-0207004 | 1 |
| 10 | Spacer - height 7 mm | 2-0200707 | 1 |
| 11 | Spacer - height 10 mm | 2-0200710 | 1 |
| 12 | Spacer - height 18 mm | 2-0200718 | 1 |
| 13 | Resection Gauge | 2-0204500 | 1 |
| 14 | Alignment Gauge | 2-0206300 | 1 |
| 15 | Blunt K-wire, diam. 2 mm, length 150 mm | 2-0103000 | 2 |
| 16 | Drill Bit, Ø3.2, length 145 mm | 2-0102400 | 1 |
| 17 | Hohmann Retractor 240 mm 18 mm | 2-0207200 | 1 |
| 18 | Hohmann Retractor 265 mm 24 mm | 2-0207100 | 2 |
| 19 | Universal Handle | 2-0216400 | 1 |
| 20 | H5 Screwdriver | 2-0200800 | 1 |
| 21 | Intramedullary Rod - length 250 mm | 2-0200200 | 1 |
| 22 | Intramedullary Rod - length 400 mm | 2-0200300 | 1 |
| 23 | Extramedullary Alignment Rod | 2-0200600 | 2 |
| 24 | Universal T-handle | 2-0200400 | 1 |

INSTRUMENTATION

SCORE®: Tibial Resection Set

2-029982

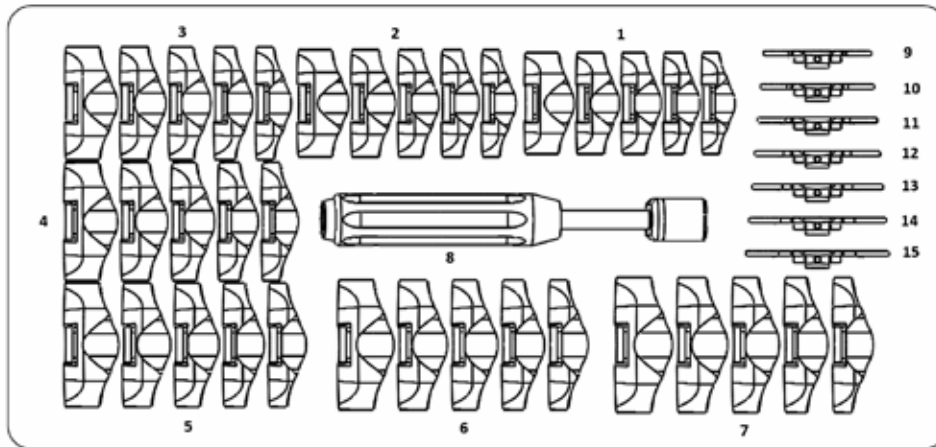


| Item | Name | Product No. | Qty |
|------|---|-------------|-----|
| 1 | Thumb Knob for Tibial Bracket | 2-0202100 | 1 |
| 2 | Tibial Slide Bar | 2-0201900 | 1 |
| 3 | Removable Handle | 2-0206200 | 2 |
| 4 | Extramedullary Alignment Guide | 2-0201700 | 1 |
| 5 | Thumb Knob for Extramedullary Alignment Guide | 2-0201800 | 2 |
| 6 | Tibial Bracket | 2-0202000 | 1 |
| 7 | Punch Guide for Tibial Baseplate Size 1/2 | 2-0202612 | 1 |
| 8 | Punch Guide for Tibial Baseplate Size 3/4/5 | 2-0202635 | 1 |
| 9 | Punch Guide for Tibial Baseplate Size 6/7 | 2-0202667 | 1 |
| 10 | Tibial Resection Guide - Left | 2-0202300 | 1 |
| 11 | Tibial Resection Guide - Right | 2-0202200 | 1 |
| 12 | Thumb Knob for Resection Guide | 2-0203800 | 2 |
| 13 | Malleolar Clamp | 2-0201600 | 1 |
| 14 | Tibial Stylus | 2-0202400 | 1 |
| 15 | Reamer for Tibial Extension Stem | 2-0202700 | 1 |
| 16 | Punch for Tibial Extension Stem - Size 1/2 | 2-0202812 | 1 |
| 17 | Standard Trial Stem | 2-0208900 | 3 |
| 18 | Punch for Tibial Extension Stem - Size 3/4/5 | 2-0202835 | 1 |
| 19 | Punch for Tibial Extension Stem - Size 6/7 | 2-0202867 | 1 |
| 20 | Headed Pin length 30 mm | 2-0201301 | 3 |
| 21 | Headless Pin length 80 mm | 2-0201400 | 3 |
| 22 | Headed Pin length 70 mm | 2-0201302 | 3 |

INSTRUMENTATION

SCORE®: Tibial Trials Set

2-029995

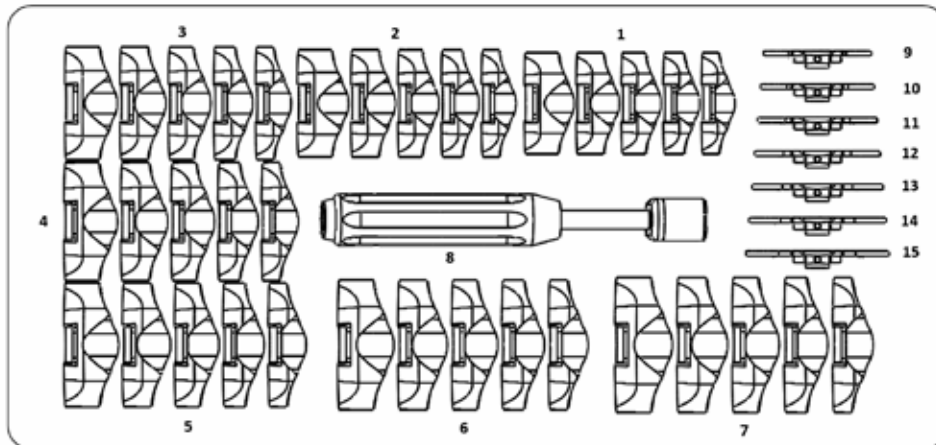


| Item | Name | Product No. | Qty |
|------|-------------------------------------|-------------|-----|
| 1 | Trial Insert Size 1 thickness 10 mm | 2-0202911 | 1 |
| 1 | Trial Insert Size 1 thickness 12 mm | 2-0202921 | 1 |
| 1 | Trial Insert Size 1 thickness 14 mm | 2-0202931 | 1 |
| 1 | Trial Insert Size 1 thickness 16 mm | 2-0202941 | 1 |
| 1 | Trial Insert Size 1 thickness 20 mm | 2-0202951 | 1 |
| 2 | Trial Insert Size 2 thickness 10 mm | 2-0202912 | 1 |
| 2 | Trial Insert Size 2 thickness 12 mm | 2-0202922 | 1 |
| 2 | Trial Insert Size 2 thickness 14 mm | 2-0202932 | 1 |
| 2 | Trial Insert Size 2 thickness 16 mm | 2-0202942 | 1 |
| 2 | Trial Insert Size 2 thickness 20 mm | 2-0202952 | 1 |
| 3 | Trial Insert Size 3 thickness 10 mm | 2-0202913 | 1 |
| 3 | Trial Insert Size 3 thickness 12 mm | 2-0202923 | 1 |
| 3 | Trial Insert Size 3 thickness 14 mm | 2-0202933 | 1 |
| 3 | Trial Insert Size 3 thickness 16 mm | 2-0202943 | 1 |
| 3 | Trial Insert Size 3 thickness 20 mm | 2-0202953 | 1 |
| 4 | Trial Insert Size 4 thickness 10 mm | 2-0202914 | 1 |
| 4 | Trial Insert Size 4 thickness 12 mm | 2-0202924 | 1 |
| 4 | Trial Insert Size 4 thickness 14 mm | 2-0202934 | 1 |
| 4 | Trial Insert Size 4 thickness 16 mm | 2-0202944 | 1 |
| 4 | Trial Insert Size 4 thickness 20 mm | 2-0202954 | 1 |
| 5 | Trial Insert Size 5 thickness 10 mm | 2-0202915 | 1 |
| 5 | Trial Insert Size 5 thickness 12 mm | 2-0202925 | 1 |
| 5 | Trial Insert Size 5 thickness 14 mm | 2-0202935 | 1 |
| 5 | Trial Insert Size 5 thickness 16 mm | 2-0202945 | 1 |
| 5 | Trial Insert Size 5 thickness 20 mm | 2-0202955 | 1 |

INSTRUMENTATION

SCORE®: Tibial Trials Set

2-029995

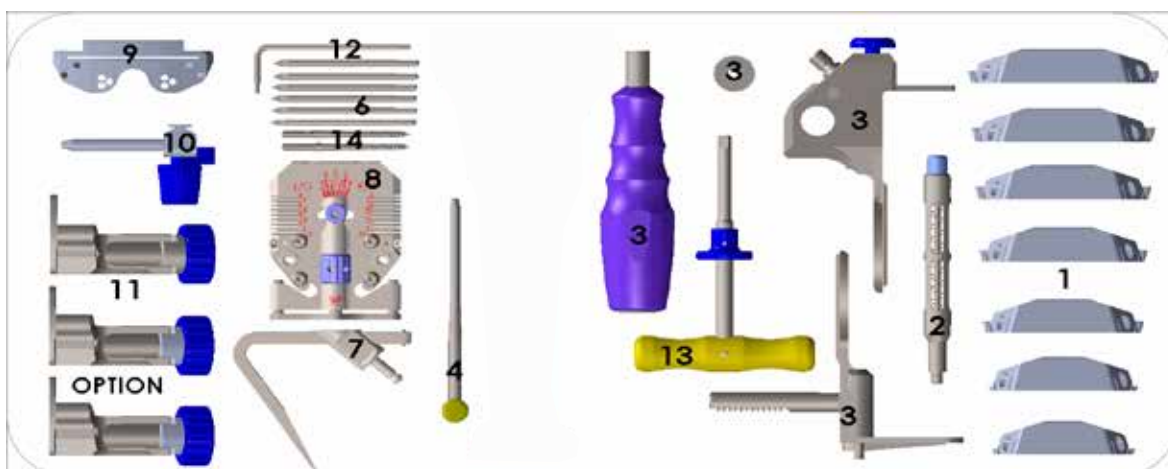


| Item | Name | Product No. | Qty |
|------|-------------------------------------|-------------|-----|
| 6 | Trial Insert Size 6 thickness 10 mm | 2-0202916 | 1 |
| 6 | Trial Insert Size 6 thickness 12 mm | 2-0202926 | 1 |
| 6 | Trial Insert Size 6 thickness 14 mm | 2-0202936 | 1 |
| 6 | Trial Insert Size 6 thickness 16 mm | 2-0202946 | 1 |
| 6 | Trial Insert Size 6 thickness 20 mm | 2-0202956 | 1 |
| 7 | Trial Insert Size 7 thickness 10 mm | 2-0202917 | 1 |
| 7 | Trial Insert Size 7 thickness 12 mm | 2-0202927 | 1 |
| 7 | Trial Insert Size 7 thickness 14 mm | 2-0202937 | 1 |
| 7 | Trial Insert Size 7 thickness 16 mm | 2-0202947 | 1 |
| 7 | Trial Insert Size 7 thickness 20 mm | 2-0202957 | 1 |
| 8 | Baseplate impactor | 2-0203000 | 1 |
| 9 | Trial Baseplate Navigated Size 1 | 2-0208601 | 1 |
| 10 | Trial Baseplate Navigated Size 2 | 2-0208602 | 1 |
| 11 | Trial Baseplate Navigated Size 3 | 2-0208603 | 1 |
| 12 | Trial Baseplate Navigated Size 4 | 2-0208604 | 1 |
| 13 | Trial Baseplate Navigated Size 5 | 2-0208605 | 1 |
| 14 | Trial Baseplate Navigated Size 6 | 2-0208606 | 1 |
| 15 | Trial Baseplate Navigated Size 7 | 2-0208607 | 1 |

INSTRUMENTATION

4-in-1 Femoral Resection Set

2-0299941

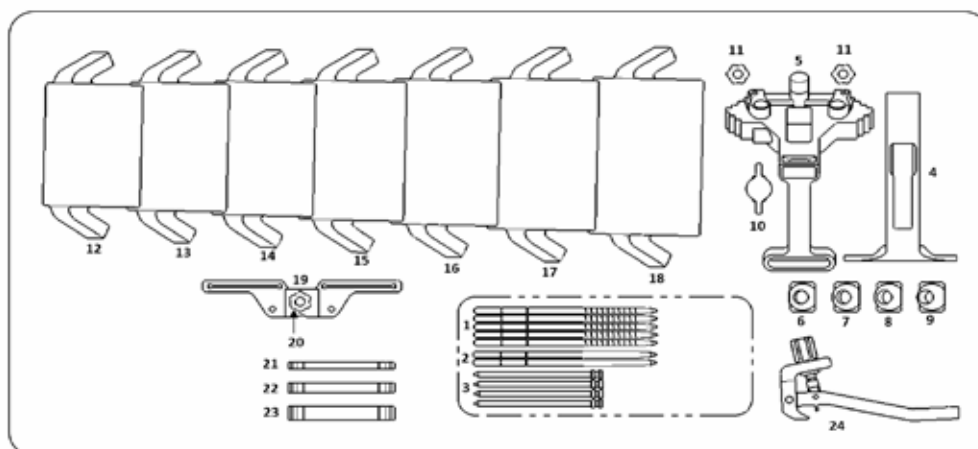


| Item | Name | Product No. | Qty |
|------|---|-------------|-----|
| 1 | 4-in-1 Femoral Resection Guide - Size 1 | 2-0226401 | 1 |
| 1 | 4-in-1 Femoral Resection Guide - Size 2 | 2-0226402 | 1 |
| 1 | 4-in-1 Femoral Resection Guide - Size 3 | 2-0226403 | 1 |
| 1 | 4-in-1 Femoral Resection Guide - Size 4 | 2-0226404 | 1 |
| 1 | 4-in-1 Femoral Resection Guide - Size 5 | 2-0226405 | 1 |
| 1 | 4-in-1 Femoral Resection Guide - Size 6 | 2-0226406 | 1 |
| 1 | 4-in-1 Femoral Resection Guide - Size 7 | 2-0226407 | 1 |
| 2 | Removable Handle | 2-0226500 | 2 |
| 3 | V2 Extra-articular Ligament Balancer | 2-0233200 | 1 |
| 4 | H3.5 ScrewDriver | 2-0225500 | 1 |
| 6 | Headless Pin, Ø3.2 length 65 mm | 2-0201402 | 6 |
| 7 | 4-in-1 Probe | 2-0229900 | 1 |
| 8 | 4-in-1 Pin Positioner | 2-0229800 | 1 |
| 9 | Distal Resection Guide - 8 mm | 2-0226900 | 1 |
| 9 | Distal Resection Guide - 10 mm | 2-0228900 | 1 |
| 10 | Distal Slide Bar | 2-0226800 | 1 |
| 11 | Adjustable Valgus Barrel 0° | 2-0226600 | 1 |
| 11 | Adjustable Valgus Barrel 3° | 2-0226603 | 1 |
| 11 | Adjustable Valgus Barrel 6° | 2-0226606 | 1 |
| 12 | H2.5 Wrench | 2-0228200 | 1 |
| 13 | H5 Ratcheting Screwdriver | 2-0233100 | 1 |
| 14 | Collared Threaded Pin Ø3.2-L57 | 2-0238857 | 2 |

INSTRUMENTATION

Standard 5-in-1 Femoral Resection Set

2-0299944

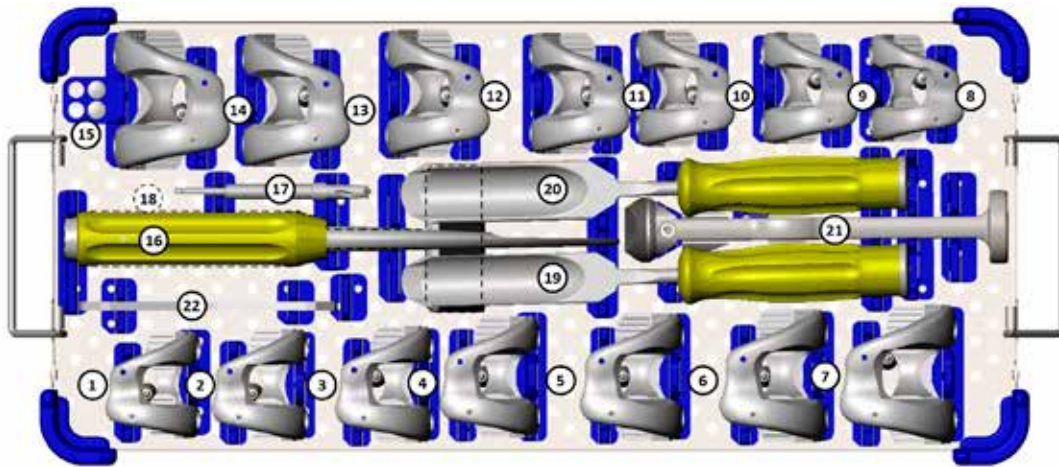


| Item | Name | Product No. | Qty |
|------|---|-------------|-----|
| 1 | Threaded Pin - Ø4, length 90 mm | 2-0200901 | 5 |
| 2 | Smooth Pin - Ø4, length 90 mm | 2-0201000 | 2 |
| 3 | Headed Pin - length 70 mm | 2-0201302 | 4 |
| 4 | Posterior Fork for Measurement Template | 2-0203100 | 1 |
| 5 | Measurement Template | 2-0203200 | 1 |
| 6 | Removable Guide - 3° Femoral Valgus | 2-0203303 | 1 |
| 7 | Removable Guide - 5° Femoral Valgus | 2-0203305 | 1 |
| 8 | Removable Guide - 7° Femoral Valgus | 2-0203307 | 1 |
| 9 | Removable Guide - 9° Femoral Valgus | 2-0203309 | 1 |
| 10 | Femoral Stylus | 2-0203400 | 1 |
| 11 | Drill Guide for Ø4 Pin | 2-0203500 | 2 |
| 12 | 5-in-1 Femoral Resection Guide - Size 1 | 2-0203601 | 1 |
| 13 | 5-in-1 Femoral Resection Guide - Size 2 | 2-0203602 | 1 |
| 14 | 5-in-1 Femoral Resection Guide - Size 3 | 2-0203603 | 1 |
| 15 | 5-in-1 Femoral Resection Guide - Size 4 | 2-0203604 | 1 |
| 16 | 5-in-1 Femoral Resection Guide - Size 5 | 2-0203605 | 1 |
| 17 | 5-in-1 Femoral Resection Guide - Size 6 | 2-0203606 | 1 |
| 18 | 5-in-1 Femoral Resection Guide - Size 7 | 2-0203607 | 1 |
| 19 | Additional Distal Resection Guide | 2-0203700 | 1 |
| 20 | Thumb Knob for Resection Guide | 2-0203800 | 1 |
| 21 | Femoral Recutting Block - 4 mm | 2-0206004 | 1 |
| 22 | Femoral Recutting Block - 6 mm | 2-0206006 | 1 |
| 23 | Femoral Recutting Block - 8 mm | 2-0206008 | 1 |
| 24 | Femoral Resection Guide Stabilizer | 2-0209900 | 1 |

INSTRUMENTATION

SCORE® II: Femoral Trials Set

2-029997

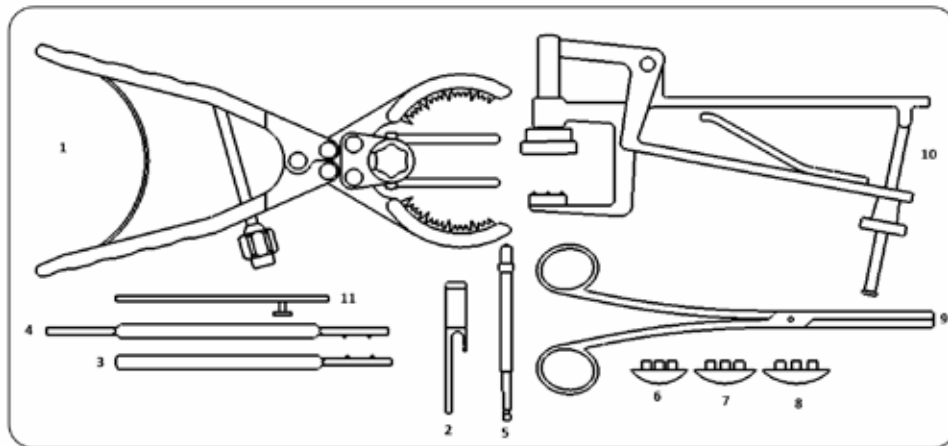


| Item | Name | Product No. | Qty |
|------|---------------------------------------|-------------|-----|
| 1 | SCORE II Femoral Trial Nav. S1 Right | 2-0254421 | 1 |
| 2 | SCORE II Femoral Trial Nav. S2 Right | 2-0254422 | 1 |
| 3 | SCORE II Femoral Trial Nav. S3 Right | 2-0254423 | 1 |
| 4 | SCORE II Femoral Trial Nav. S4 Right | 2-0254424 | 1 |
| 5 | SCORE II Femoral Trial Nav. S5 Right | 2-0254425 | 1 |
| 6 | SCORE II Femoral Trial Nav. S6 Right | 2-0254426 | 1 |
| 7 | SCORE II Femoral Trial Nav. S7 Right | 2-0254427 | 1 |
| 8 | SCORE II Femoral Trial Nav. S1 Left | 2-0254411 | 1 |
| 9 | SCORE II Femoral Trial Nav. S2 Left | 2-0254412 | 1 |
| 10 | SCORE II Femoral Trial Nav. S3 Left | 2-0254413 | 1 |
| 11 | SCORE II Femoral Trial Nav. S4 Left | 2-0254414 | 1 |
| 12 | SCORE II Femoral Trial Nav. S5 Left | 2-0254415 | 1 |
| 13 | SCORE II Femoral Trial Nav. S6 Left | 2-0254416 | 1 |
| 14 | SCORE II Femoral Trial Nav. S7 Left | 2-0254417 | 1 |
| 15 | Trial Peg for Trial Femoral Component | 2-0233300 | 2 |
| 16 | Cutting Gauge | 2-0206500 | 1 |
| 17 | Drill for Peg Holes | 2-0204000 | 1 |
| 18 | Femoral Component Impactor | 2-0204300 | 1 |
| 19 | SCORE II Femoral Rasp S0-3 | 2-0254503 | 1 |
| 20 | SCORE II Femoral Rasp S4-8 | 2-0254548 | 1 |
| 21 | SCORE II Femoral Condyle Holder | 2-0254800 | 1 |
| 22 | SCORE II Intercondylar Control Gauge | 2-0254600 | 1 |

INSTRUMENTATION

SCORE® II: Patellar Resection Set

2-0299906

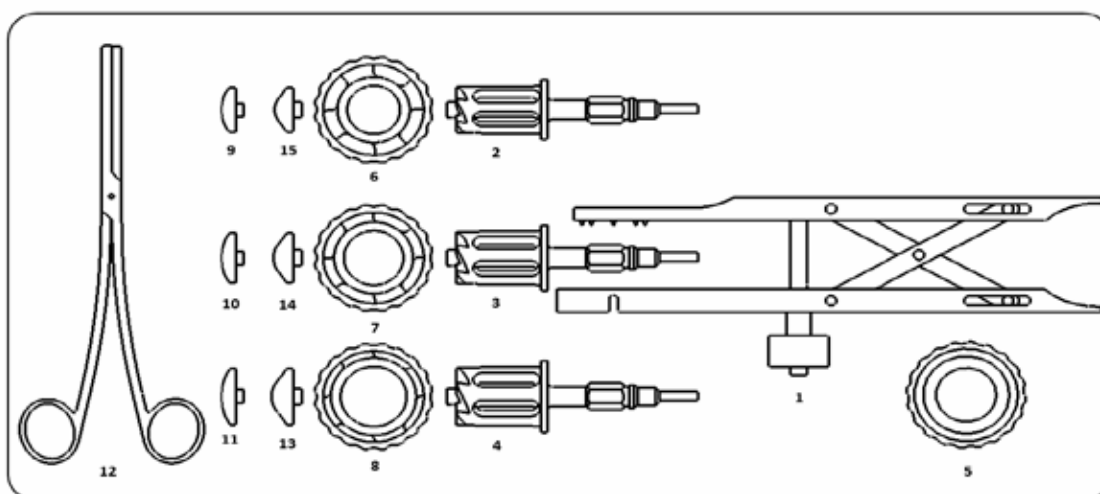


| Item | Name | Product No. | Qty |
|------|---------------------------------|-------------|-----|
| 1 | Patellar Resection Forceps | 2-0206700 | 1 |
| 2 | Patellar Resection Gauge | 2-0208400 | 1 |
| 3 | Drilling Template Ø 30 | 2-0204900 | 1 |
| 4 | Drilling Template Ø 33 and Ø 36 | 2-0205000 | 1 |
| 5 | Drill Bit for Onset Patella | 2-0205100 | 1 |
| 6 | Trial Onset Patella Ø 30 | 2-0205330 | 1 |
| 7 | Trial Onset Patella Ø 33 | 2-0205333 | 1 |
| 8 | Trial Onset Patella Ø 36 | 2-0205336 | 1 |
| 9 | Clamp for Trial Patella | 2-0104600 | 1 |
| 10 | Patellar Clamping Forceps | 2-0206100 | 1 |
| 11 | Caliper | 02-313-11 | 1 |

INSTRUMENTATION

SCORE® II: Patellar Reaming Set

2-0299917

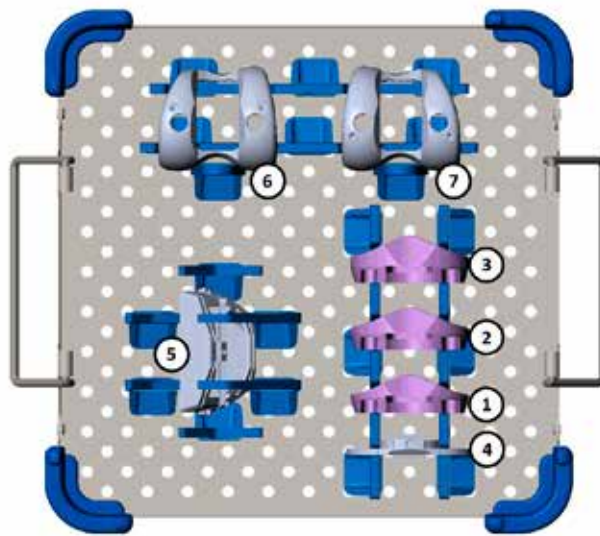


| Item | Name | Product No. | Qty |
|------|---|-------------|-----|
| 1 | Patellar Reaming Forceps | 2-0216600 | 1 |
| 2 | Reamer for Cementless Inset Patella Ø23 | 2-0216523 | 1 |
| 3 | Reamer for Cementless Inset Patella Ø26 | 2-0216526 | 1 |
| 4 | Reamer for Cementless Inset Patella Ø29 | 2-0216529 | 1 |
| 5 | Binding Clamp for cementless Inset Patella | 2-0216800 | 1 |
| 6 | Clamp for Patellar Reaming Forceps Ø23 | 2-0216723 | 1 |
| 7 | Clamp for Patellar Reaming Forceps Ø26 | 2-0216726 | 1 |
| 8 | Clamp for Patellar Reaming Forceps Ø29 | 2-0216729 | 1 |
| 9 | Trial Inset Patellar Implant - Cemented Ø 23 mm | 2-0205223 | 1 |
| 10 | Trial Inset Patellar Implant - Cemented Ø 26 mm | 2-0205226 | 1 |
| 11 | Trial Inset Patellar Implant - Cemented Ø 29 mm | 2-0205229 | 1 |
| 12 | Clamp for Trial Patella | 2-0104600 | 1 |
| 13 | Trial Inset Patellar Implant - Cementless Ø29 | 2-0216929 | 1 |
| 14 | Trial Inset Patellar Implant - Cementless Ø26 | 6-0216926 | 1 |
| 15 | Trial Inset Patellar Implant - Cementless Ø23 | 2-0216923 | 1 |

INSTRUMENTATION

SCORE® II: Optional Set 4-in-1 - Size 0

2-02999100

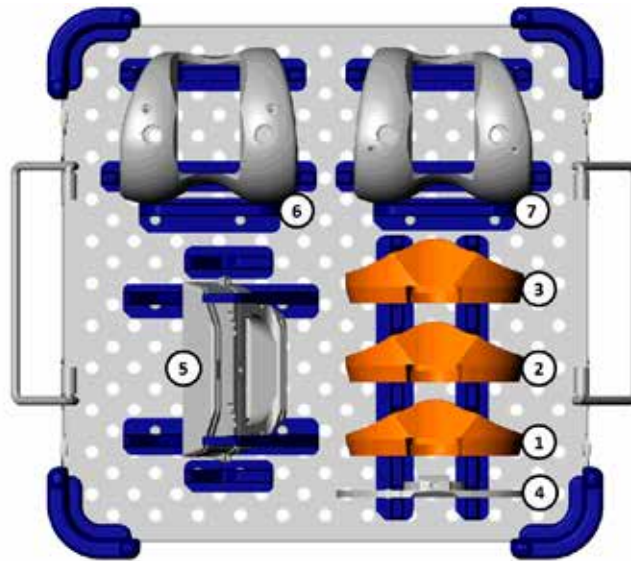


| Item | Name | Product No. | Qty |
|------|---------------------------------------|-------------|-----|
| 1 | SCORE II Trial Insert S0 Th. 10mm | 2-0202910 | 1 |
| 2 | SCORE II Trial Insert S0 Th. 12mm | 2-0202920 | 1 |
| 3 | SCORE II Trial Insert S0 Th. 14mm | 2-0202930 | 1 |
| 4 | SCORE II Trial Baseplate Nav. S0 | 2-0208600 | 1 |
| 5 | 4-in-1 femoral resection guide Size 0 | 2-0226400 | 1 |
| 6 | SCORE II Femoral Trial Nav. S0 Left | 2-0254410 | 1 |
| 7 | SCORE II Femoral Trial Nav. S0 Right | 2-0254420 | 1 |

INSTRUMENTATION

SCORE® II: Optional Set 4-in-1 - Size 8

2-02999101

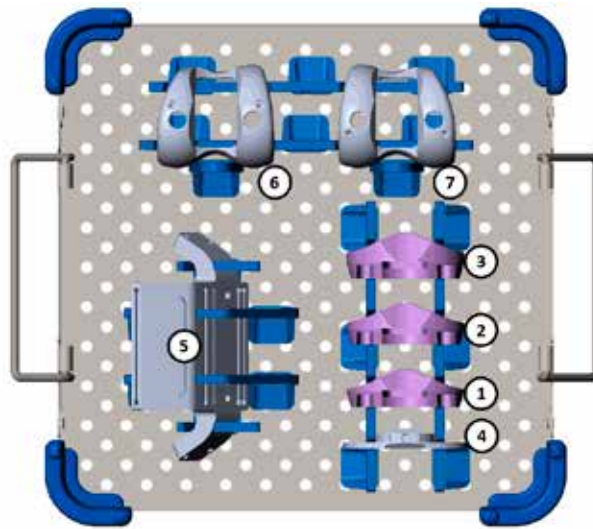


| Item | Name | Product No. | Qty |
|------|---------------------------------------|-------------|-----|
| 1 | SCORE II Trial Insert S8 Th. 10mm | 2-0202918 | 1 |
| 2 | SCORE II Trial Insert S8 Th. 12mm | 2-0202928 | 1 |
| 3 | SCORE II Trial Insert S8 Th. 14mm | 2-0202938 | 1 |
| 4 | SCORE II Trial Baseplate Nav. S8 | 2-0208608 | 1 |
| 5 | 4-in-1 femoral resection guide Size 8 | 2-0226408 | 1 |
| 6 | SCORE II Femoral Trial Nav. S8 Left | 2-0254418 | 1 |
| 7 | SCORE II Femoral Trial Nav. S8 Right | 2-0254428 | 1 |

INSTRUMENTATION

SCORE® II: Optional Set 5-in-1 - Size 0

2-0299998

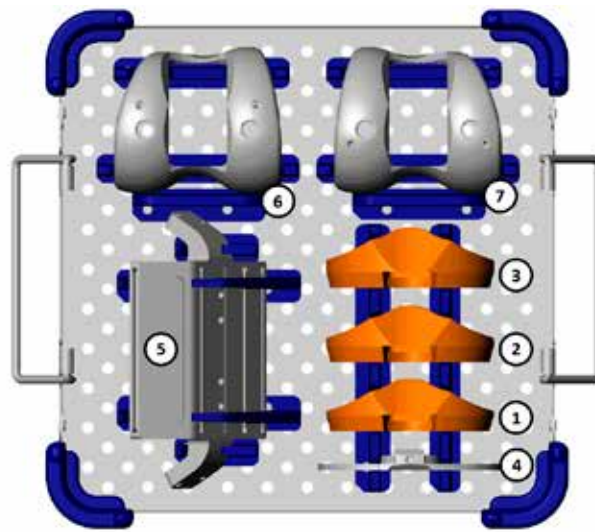


| Item | Name | Product No. | Qty |
|------|---------------------------------------|-------------|-----|
| 1 | SCORE II Trial Insert S0 Th. 10mm | 2-0202910 | 1 |
| 2 | SCORE II Trial Insert S0 Th. 12mm | 2-0202920 | 1 |
| 3 | SCORE II Trial Insert S0 Th. 14mm | 2-0202930 | 1 |
| 4 | SCORE II Trial Baseplate Nav. S0 | 2-0208600 | 1 |
| 5 | 5-in-1 Femoral Resection Guide Size 0 | 2-0203600 | 1 |
| 6 | SCORE II Femoral Trial Nav. S0 Left | 2-0254410 | 1 |
| 7 | SCORE II Femoral Trial Nav. S0 Right | 2-0254420 | 1 |

INSTRUMENTATION

SCORE® II: Optional Set 5-in-1 - Size 8

2-0299999

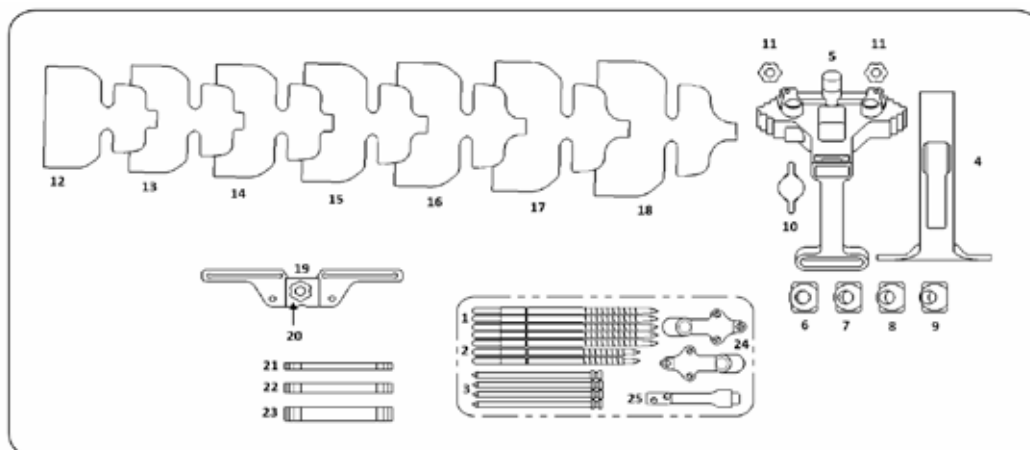


| Item | Name | Product No. | Qty |
|------|---------------------------------------|-------------|-----|
| 1 | SCORE II Trial Insert S8 Th. 10mm | 2-0202918 | 1 |
| 2 | SCORE II Trial Insert S8 Th. 12mm | 2-0202928 | 1 |
| 3 | SCORE II Trial Insert S8 Th. 14mm | 2-0202938 | 1 |
| 4 | SCORE II Trial Baseplate Nav. S8 | 2-0208608 | 1 |
| 5 | 5-in-1 Femoral Resection Guide Size 8 | 2-0203608 | 1 |
| 6 | SCORE II Femoral Trial Nav. S8 Left | 2-0254418 | 1 |
| 7 | SCORE II Femoral Trial Nav. S8 Right | 2-0254428 | 1 |

INSTRUMENTATION

MIS 5-in-1 Femoral Resection Set

2-0299945

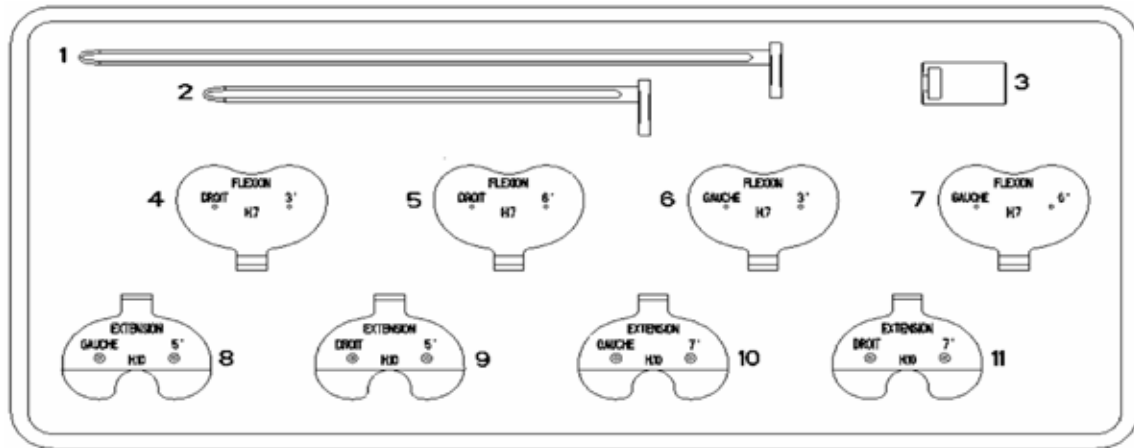


| Item | Name | Product No. | Qty |
|------|--|-------------|-----|
| 1 | Threaded Pin Ø4 length 90 mm | 2-0200901 | 5 |
| 2 | Smooth Pin Ø4 length 90 mm | 2-0201000 | 2 |
| 3 | Headed Pin - length 70 mm | 2-0201302 | 4 |
| 4 | Posterior Fork for Measurement Template | 2-0203100 | 1 |
| 5 | Measurement Template | 2-0203200 | 1 |
| 6 | Removable Guide - 3° Femoral Valgus | 2-0203303 | 1 |
| 7 | Removable Guide - 5° Femoral Valgus | 2-0203305 | 1 |
| 8 | Removable Guide - 7° Femoral Valgus | 2-0203307 | 1 |
| 9 | Removable Guide - 9° Femoral Valgus | 2-0203309 | 1 |
| 10 | Femoral Stylus | 2-0203400 | 1 |
| 11 | Drill Guide for Ø4 Pin | 2-0203500 | 2 |
| 12 | IMA Femoral Resection Guide - Size 1 | 2-0217701 | 1 |
| 13 | IMA Femoral Resection Guide - Size 2 | 2-0217702 | 1 |
| 14 | IMA Femoral Resection Guide - Size 3 | 2-0217703 | 1 |
| 15 | IMA Femoral Resection Guide - Size 4 | 2-0217704 | 1 |
| 16 | IMA Femoral Resection Guide - Size 5 | 2-0217705 | 1 |
| 17 | IMA Femoral Resection Guide - Size 6 | 2-0217706 | 1 |
| 18 | IMA Femoral Resection Guide - Size 7 | 2-0217707 | 1 |
| 19 | Fastener for IMA Femoral Resection Guide | 2-0217900 | 2 |
| 20 | Femoral Resection Guide Stabilizer | 2-0217800 | 1 |
| 21 | Femoral Recutting Block - 4 mm | 2-0206004 | 1 |
| 22 | Femoral Recutting Block - 6 mm | 2-0206006 | 1 |
| 23 | Femoral Recutting Block - 8 mm | 2-0206008 | 1 |
| 24 | Additional Distal Resection Guide | 2-0203700 | 1 |
| 25 | Thumb Knob for Resection Guide | 2-0203800 | 1 |

INSTRUMENTATION

Gap Balancing Simulator Set

2-0299904

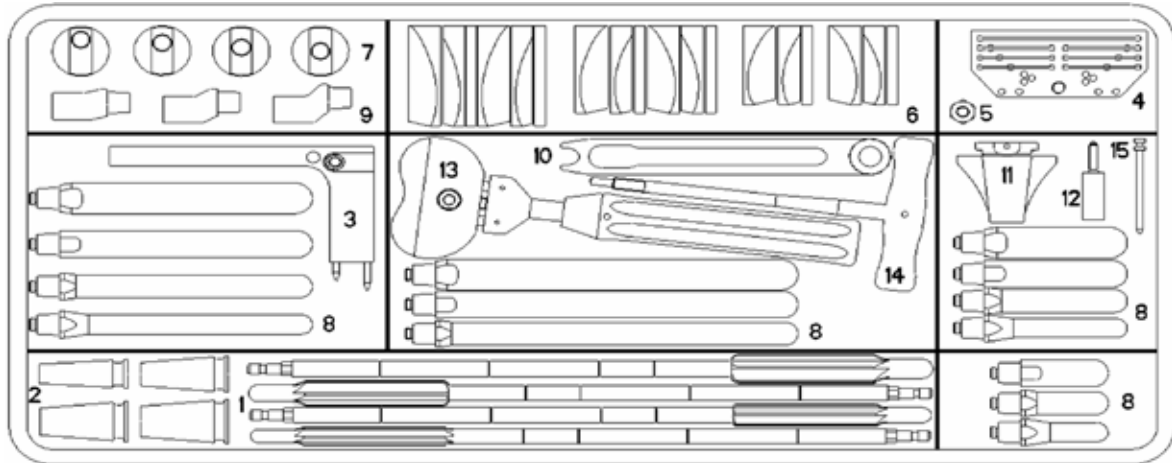


| Item | Name | Product No. | Qty |
|------|--|-------------|-----|
| 1 | Intramedullary Rod - Gap Balancing Simulator | 2-0208000 | 1 |
| 2 | Short Intramedullary Rod - Gap Balancing Simulator | 2-0209400 | 1 |
| 3 | Impactor-Extractor Tip | 2-0208100 | 1 |
| 4 | Flexion Spacer - Right, angle 3°, height 7 mm | 2-0208201 | 1 |
| 5 | Flexion Spacer - Right, angle 6°, height 7 mm | 2-0208202 | 1 |
| 6 | Flexion Spacer - Left, angle 3°, height 7 mm | 2-0208203 | 1 |
| 7 | Flexion Spacer - Left, angle 6°, height 7 mm | 2-0208204 | 1 |
| 8 | Extension Spacer - Left, angle 5°, height 10 mm | 2-0208301 | 1 |
| 9 | Extension Spacer - Right, angle 5°, height 10 mm | 2-0208302 | 1 |
| 10 | Extension Spacer - Left, angle 7°, height 10 mm | 2-0208303 | 1 |
| 11 | Extension Spacer - Right, angle 7°, height 10 mm | 2-0208304 | 1 |

INSTRUMENTATION

SCORE®: Tibial Revision Set

2-029912



| Item | Name | Product No. | Qty |
|------|--|-------------|-----|
| 1 | Reamer diam. 10 | 2-0210510 | 1 |
| 1 | Reamer diam. 12 | 2-0210512 | 1 |
| 1 | Reamer diam. 14 | 2-0210514 | 1 |
| 1 | Reamer diam. 16 | 2-0210516 | 1 |
| 2 | Sleeve 10/15 | 2-0211400 | 1 |
| 2 | Sleeve 12/19 | 2-0211401 | 1 |
| 2 | Sleeve 14/21 | 2-0211402 | 1 |
| 2 | Sleeve 16/23 | 2-0211403 | 1 |
| 3 | Revision Tibial Bracket | 2-0211000 | 1 |
| 4 | Revision Tibial Resection Guide | 2-0210600 | 1 |
| 5 | Wheel for Resection Guide | 2-0203800 | 1 |
| 6 | Trial Tibial Half-Wedge - Size 1/2 thickness 5 mm | 2-0210311 | 2 |
| 6 | Trial Tibial Half-Wedge - Size 1/2 thickness 10 mm MED.R / LAT.L | 2-0210321 | 1 |
| 6 | Trial Tibial Half-Wedge - Size 1/2 thickness 15 mm MED.R / LAT.L | 2-0210331 | 1 |
| 6 | Trial Tibial Half-Wedge - Size 1/2 thickness 10 mm LAT.R./MED.L | 2-0210341 | 1 |
| 6 | Trial Tibial Half-Wedge - Size 1/2 thickness 15 mm LAT.R./MED.L | 2-0210351 | 1 |
| 6 | Trial Tibial Half-Wedge - Size 3/4/5 thickness 5 mm | 2-0210313 | 2 |
| 6 | Trial Tibial Half-Wedge - Size 3/4/5 thickness 10 mm MED.R / LAT.L | 2-0210323 | 1 |
| 6 | Trial Tibial Half-Wedge - Size 3/4/5 thickness 15 mm MED.R / LAT.L | 2-0210333 | 1 |
| 6 | Trial Tibial Half-Wedge - Size 3/4/5 thickness 10 mm LAT.R./MED.L | 2-0210343 | 1 |
| 6 | Trial Tibial Half-Wedge - Size 3/4/5 thickness 15 mm LAT.R./MED.L | 2-0210353 | 1 |
| 6 | Trial Tibial Half-Wedge - Size 6/7 thickness 5 mm | 2-0210316 | 2 |
| 6 | Trial Tibial Half-Wedge - Size 6/7 thickness 10 mm MED.R / LAT.L | 2-0210326 | 1 |

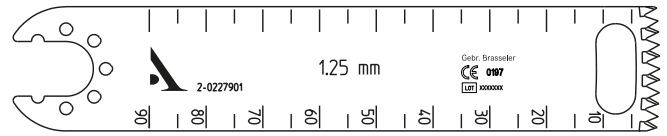
INSTRUMENTATION

| Item | Name | Product No. | Qty |
|------|--|-------------|-----|
| 6 | Trial Tibial Half-Wedge - Size 6/7 thickness 15 mm MED.R / LAT.L | 2-0210336 | 1 |
| 6 | Trial Tibial Half-Wedge - Size 6/7 thickness 10 mm LAT.R./MED.L | 2-0210346 | 1 |
| 6 | Trial tibial Half-Wedge - Size 6/7 thickness 15 mm LAT.R./MED.L | 2-0210356 | 1 |
| 7 | Offset Positioner for Trial Tibial Baseplate - 0 mm | 2-0213300 | 1 |
| 7 | Offset Positioner for Trial Tibial Baseplate - 2 mm | 2-0213302 | 1 |
| 7 | Offset Positioner for Trial Tibial Baseplate - 4 mm | 2-0213304 | 1 |
| 7 | Offset Positioner for Trial Tibial Baseplate - 6 mm | 2-0213306 | 1 |
| 8 | Trial Extension Stem - Ø 10 length 75 | 2-0209021 | 1 |
| 8 | Trial Extension Stem - Ø 12 length 75 | 2-0209022 | 1 |
| 8 | Trial Extension Stem - Ø 14 length 75 | 2-0209023 | 1 |
| 8 | Trial Extension Stem - Ø 10 length 100 | 2-0209013 | 1 |
| 8 | Trial Extension Stem - Ø 12 length 100 | 2-0209001 | 1 |
| 8 | Trial Extension Stem - Ø 14 length 100 | 2-0209004 | 1 |
| 8 | Trial Extension Stem - Ø 16 length 100 | 2-0209007 | 1 |
| 8 | Trial Extension Stem - Ø 10 length 150 | 2-0209014 | 1 |
| 8 | Trial Extension Stem - Ø 12 length 150 | 2-0209002 | 1 |
| 8 | Trial Extension Stem - Ø 14 length 150 | 2-0209005 | 1 |
| 8 | Trial Extension Stem - Ø 16 length 150 | 2-0209008 | 1 |
| 8 | Trial Extension Stem - Ø 12 length 200 | 2-0209003 | 1 |
| 8 | Trial Extension Stem - Ø 14 length 200 | 2-0209006 | 1 |
| 8 | Trial extension stem - Ø 16 length 200 | 2-0209009 | 1 |
| 9 | Trial Offset Connector 2 mm | 2-0214102 | 1 |
| 9 | Trial Offset Connector 4 mm | 2-0214104 | 1 |
| 9 | Trial Offset Connector 6 mm | 2-0214106 | 1 |
| 10 | Chuck Key for Offset Connector | 2-0213500 | 1 |
| 11 | Delta Wing for Tibial Trials | 2-0213401 | 1 |
| 12 | Thumb Knob to Connect Baseplate / Delta Wing | 2-0215400 | 1 |
| 13 | Tibial Impactor with Offset Connector | 2-0213700 | 1 |
| 14 | Extractor for Offset Connector | 2-0214300 | 1 |
| 15 | Headed Pin length 50 mm | 2-0201303 | 4 |

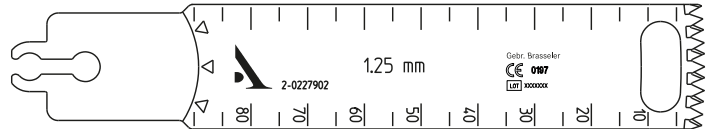
INSTRUMENTATION

LARGE SAW BLADES

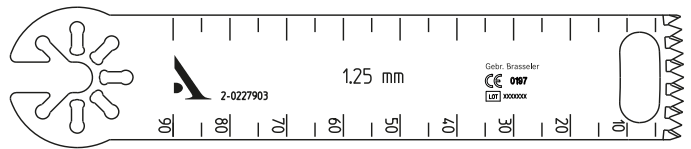
SYNTHES AO / SODEM large Saw Blade
Sterile Product No. 2-0227901



STRYKER large Saw Blade
Sterile Product No. 2-0227902

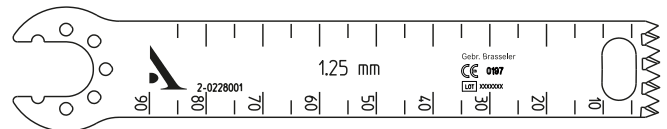


ZIMMER / HALL / LINVATEC large Saw Blade
Sterile Product No. 2-0227903

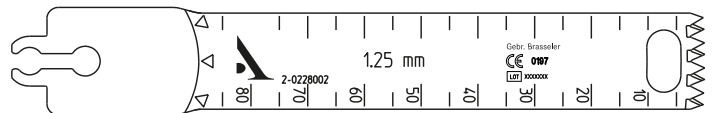


MEDIUM SAW BLADES

SYNTHES AO / SODEM medium Saw Blade
Sterile Product No. 2-0228001



STRYKER medium Saw Blade
Sterile Product No. 2-0228002



ZIMMER / HALL / LINVATEC medium Saw Blade
Sterile Product No. 2-0228003





Customer Service - France:

Porte du Grand Lyon,
01700 Neyron, France
Tel.: +33 (0)4 37 85 19 19
Fax: +33 (0)4 37 85 19 18
E-mail: amplitude@amplitude-ortho.com

Customer Service-Export:

11, cours Jacques Offenbach. Zone Mozart 2
26000 Valence, France
Tel.: +33 (0)4 75 41 87 41
Fax: +33 (0)4 75 41 87 42
E-mail: amplitude@amplitude-ortho.com

Internet : www.amplitude-ortho.com