



### Technical Specifications

**INSTALLATION AREA: 9.73m X 4.91m x 5.877**

**mSAFETY AREA: 13.73m X 8.91m**

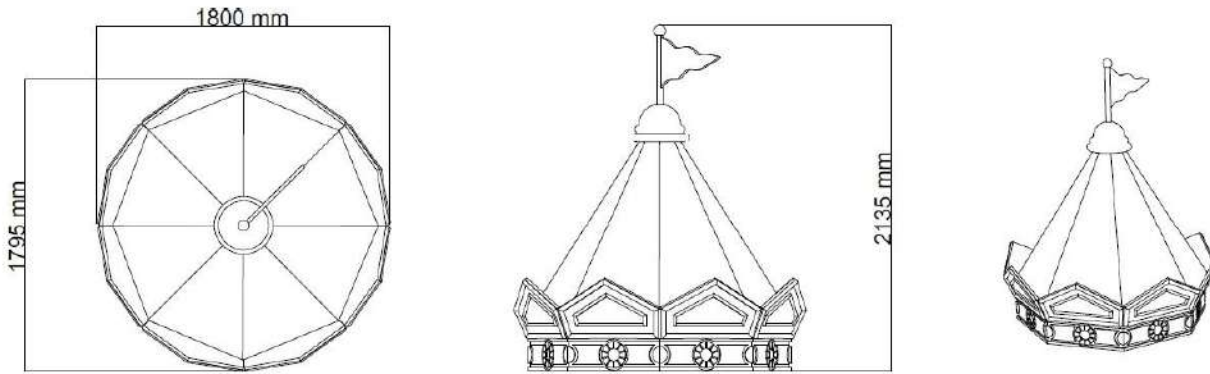
### CONSTRUCTION

Play complex with 2 towers and slides.

**Two towers with a roof made of 6 pcs of 90 x 90 mm wooden posts. The platform with the hexagonal surface made of impregnated wood.**

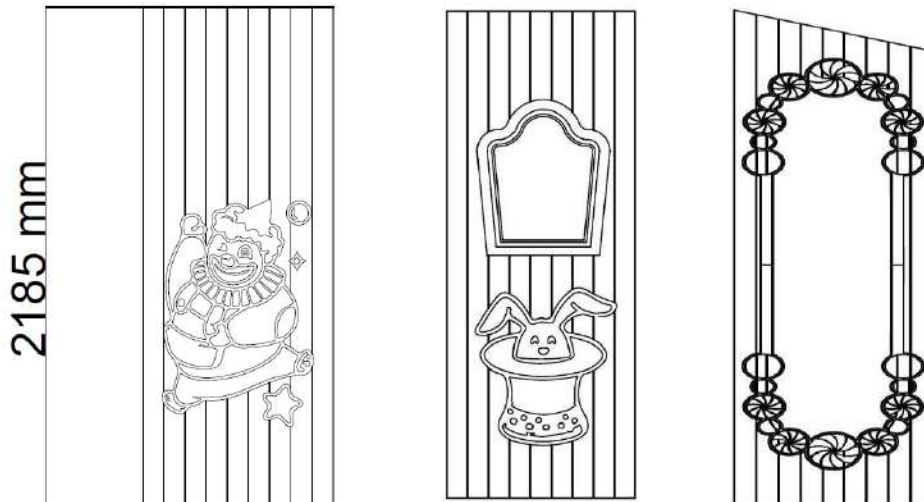
A roof made of 18 mm thick, water-resistant, industrially processed birch plywood is mounted on the upper parts of the pillars. The density of the material is 700 kg/m<sup>3</sup> with processed surfaces, without chips, cracks or other defects that could cause harm to children, being protected and colored by impregnation and covered with paint.

Roof dimensions: 1795x1800x2135 mm with plywood elements of various shapes.



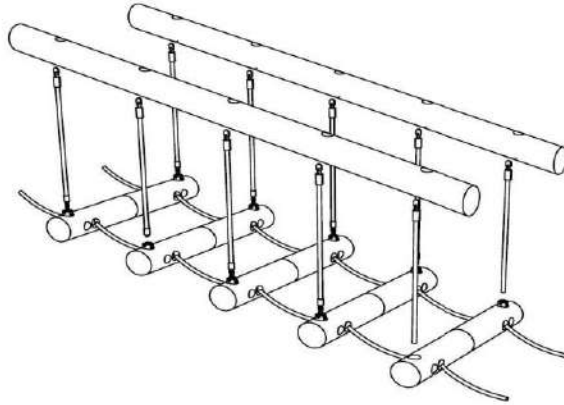
### The walls of the towers

18 mm thick, water-resistant, industrially processed birch plywood boards with a density of 700 kg/m<sup>3</sup> will be fixed to the tower pillars. The processed surfaces, without chips, cracks or other defects that could cause injury to children, being protected and colored by vacuum impregnation with preventive protection products, and coating with paint. And decorated with various decorative elements created by the CNC Router method.



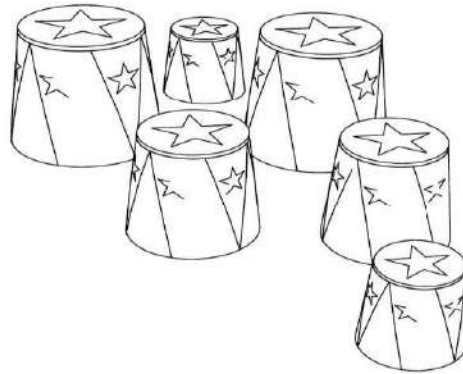
Rope bridge with logs 1 piece that will make the connection between the towers, made of compound ropes with steel wires inside with a diameter of 16 mm and plastic and aluminum connections, in accordance with TS EN 1176-11.

The lower part and the railings will be provided with logs with a diameter of 12 cm, processed by vacuum impregnation with preventive protection products, and covered with paint.



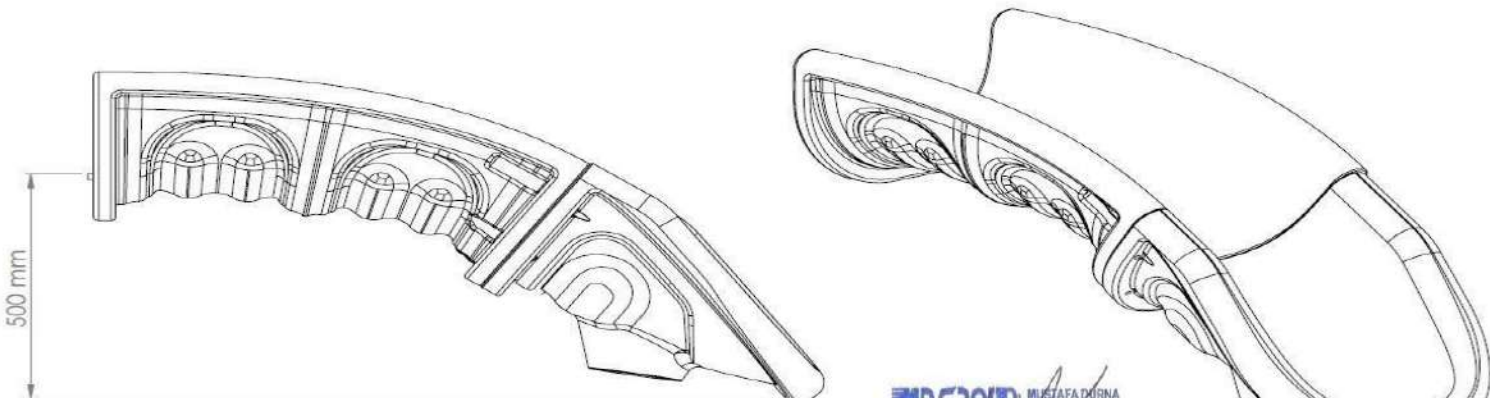
External staircase 1 pieces at the entrances to the tower, made of 6 pine logs processed by vacuum impregnation with protective products covered with paint.

Diameter 30-50 cm and h 20-50 cm.



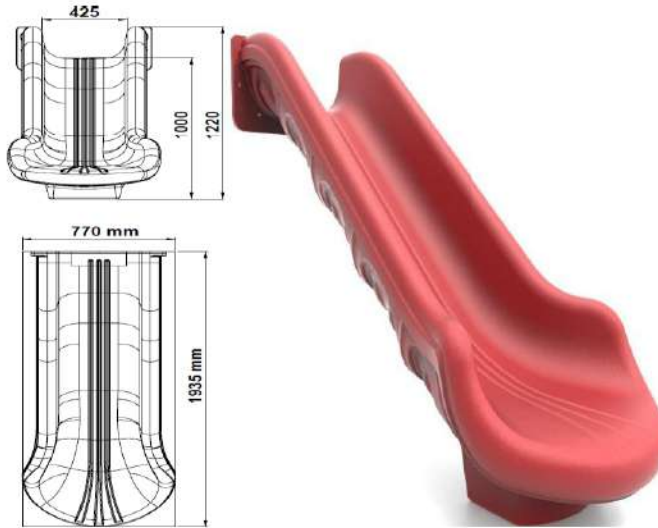
2-piece straight slide made of LLDPE with double walls that connects to the semi-roof tower. At the bottom, it is anchored in concrete. For the safety of children, protective elements made of LLDPE are provided at the entrance to the slide.

The dimensions of the slide: length - 75 cm, width 50 cm



1-piece straight slide made of LLDPE with double walls that connects to the semi-roof tower. At the bottom, it is anchored in concrete. For the safety of children, protective elements made of LLDPE are provided at the entrance to the slide.

The dimensions of the slide: length - 122 cm, width 77 cm



1-piece straight slide made of LLDPE with double walls that connects to the semi-roof tower. At the bottom, it is anchored in concrete. For the safety of children, protective elements made of LLDPE are provided at the entrance to the slide.

The dimensions of the slide: length - 172 cm, width 77 cm

