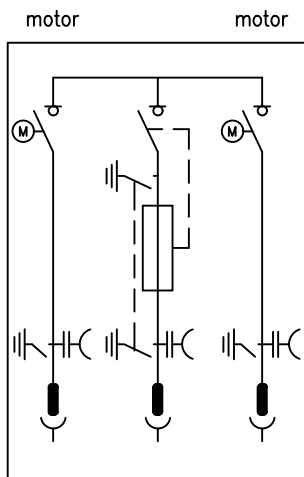
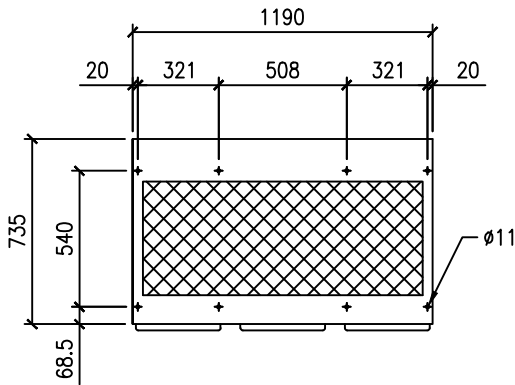
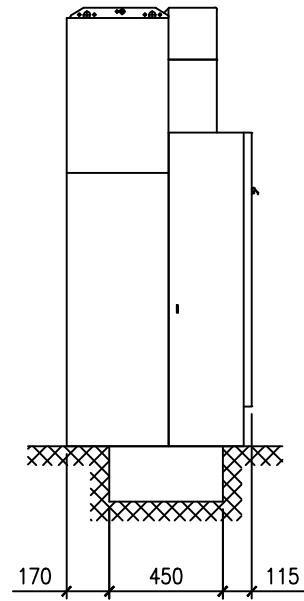
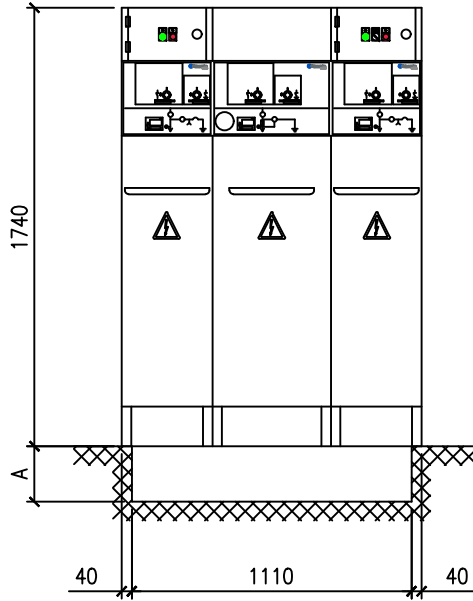


© THIS DOCUMENT IS THE PROPERTY OF ORMABAL. ALL RIGHTS ARE RESERVED AND ARE NOT TO BE COPIED OR REPRODUCED WITHOUT ORMABAL EXPRESS WRITTEN CONSENT.



PT554SG35 1

A: CABLE TRENCH DEPTH ACCORDING TO CURVATURE RADIUS.

	ormabloc cgmcosmos 50-32-25 Tender RedNord		P024749	
			Rev. N°: 0	Sheet 15 of 15
	Designed by	I.F.G.	18-02-2025	Scale : 1/30
	Revised by	I.G.M.	18-02-2025	Contract No.
Approved by			A4 metric	