

# INDU LINE GEN4



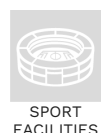
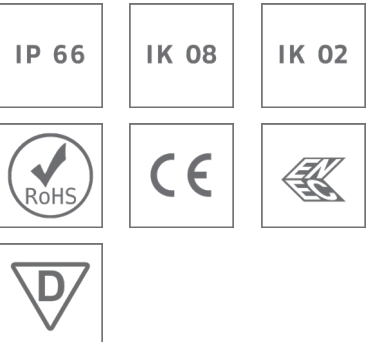
## Efficiency and comfort for any industrial environment

INDU LINE GEN4 provides a robust and efficient LED alternative for replacing fixtures fitted with T5/T8 fluorescent tubes.

Designed to perform in harsh industrial environments, INDU LINE GEN4 has a robust, compact mechanical design that makes it highly resistant and easy to install in any kind of infrastructure. Whether in sports facilities, warehouses, manufacturing plants with dusty or wet conditions, corridors, underground car parks, or underpasses, INDU LINE GEN4 offers a reliable lighting solution. Available in various materials, this luminaire suits any type of local requirement or legislation.

With a lifetime 5 times longer than a fluorescent tube, this modern linear LED luminaire lowers the total cost of ownership of a lighting installation with the guarantee of high efficacy.

INDU LINE GEN4 creates safe and comfortable working conditions thanks to its low glare and high colour rendering index to optimise productivity.



## Concept

INDU LINE GEN4 is a robust and efficient alternative for fixtures fitted with traditional fluorescent tubes. It provides the perfect solution for lighting industrial halls, warehouses, corridors, underground car parks, underpasses and many more environments with harsh conditions.

The luminaire's body can be made of polycarbonate or glass reinforced plastic (GRP), while its protector is available in PMMA or polycarbonate. This variety of materials makes INDU LINE GEN4 a versatile luminaire capable of suiting any kind of environment or local requirement.

The protector diffuses glare-free light and creates comfortable environments while maintaining a high lumen efficacy and maximising energy savings.

INDU LINE GEN4 provides versatile surface/wall mounting with adjustable metal clips on the back of the body.

For easy cabling, the luminaire is equipped with tool-free access, grommets, or optional cable glands.

Designed to provide discontinuous or continuous linear lighting, INDU LINE GEN4 can be controlled via the DALI 2.0 protocol.

As an option, INDU LINE GEN4 integrates an emergency battery, enabling the luminaire to operate as anti-panic lighting during a power outage. This feature reduces the inconvenience of a power grid failure and helps you maintain a certain level of activity in your facilities.

INDU LINE GEN4 can also integrate a motion/daylight sensor to adapt the lighting to the needs of the moment and considerably reduce the energy consumption of the lighting installation. Compatible with the Schröder ITERRA app, INDU LINE GEN4 can provide light-on-demand scenarios.

The luminaire's driver can be equipped with a DIP switch, enabling the customer to adjust the lighting directly onsite, without any tools or software.



INDU LINE GEN4 offers comfortable working light with the highest efficiency.



Compatible with the Schröder ITERRA app, INDU LINE GEN4 offers a local or remote lighting management system for further energy savings.

## TYPES OF APPLICATION

- TUNNELS & UNDERPASSES
- CAR PARKS
- INDUSTRIAL HALLS & WAREHOUSES
- SPORT FACILITIES

## KEY ADVANTAGES

- LED alternative for fixture equipped with fluo T5/T8 lamps
- Cuts energy costs by up to 50%
- Easy installation and maintenance free
- Light-on-demand feature with optional motion sensor
- High luminaire efficacy
- Efficient, uniform and glare free light
- Emergency lighting with optional battery
- Long service life
- Onsite lighting adjustment via driver's integrated DIP switch



The luminaire's driver can be fitted with a DIP switch to allow the lighting to be adjusted on site to suit any situation at the factory.



In case of emergency, an integrated battery can power the INDU LINE GEN4 to provide safety lighting.

## GENERAL INFORMATION

Driver included	Yes
CE mark	Yes
ENEC certified	Yes
ROHS compliant	Yes
D-mark	Yes

## HOUSING AND FINISH

Housing	Synthetic material reinforced with fibre glass Polycarbonate
Protector	Polycarbonate PMMA
Tightness level	IP 66
Impact resistance	IK 02, IK 08
Access for maintenance	Tool-less access to gear compartment

## OPERATING CONDITIONS

Operating temperature range (Ta)	-30°C up to +45°C / -22°F up to 113°F
----------------------------------	---------------------------------------

· Depending on the luminaire configuration. For more details, please contact us.

## ELECTRICAL INFORMATION

Electrical class	I EU
Nominal voltage	220-240V AC – 50-60Hz
Electromagnetic compatibility (EMC)	EN 55015 / EN 61000-3-2 / EN 61000-3-3 / EN 61547
Control protocol(s)	DALI-2
Associated control system(s)	Schröder ITERRA
Sensor	Motion sensor (optional)
Emergency	Optional integrated battery

## OPTICAL INFORMATION

LED colour temperature	4000K (NW 840)
Colour rendering index (CRI)	>80 (NW 840)

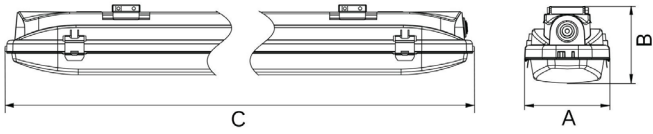
## LIFETIME OF THE LEDS @ TQ 25°C

All configurations	100,000h - L80
--------------------	----------------

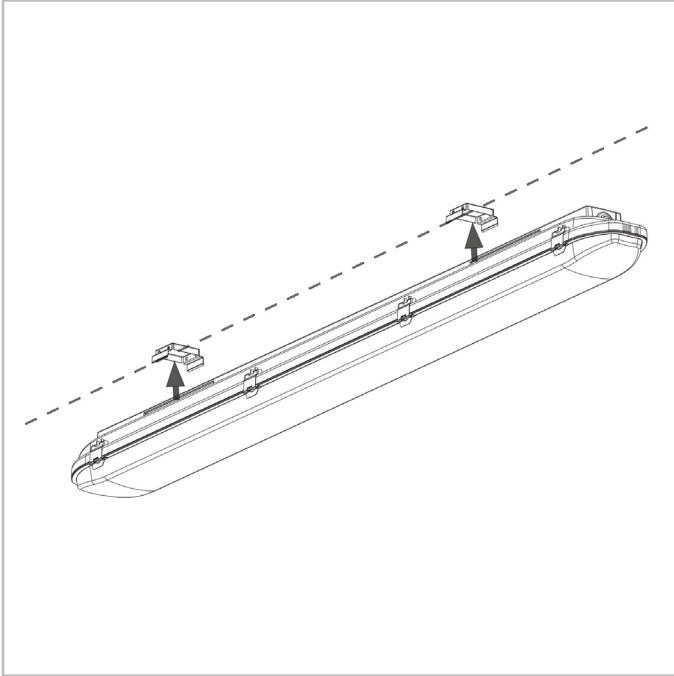
· Lifetime may be different according to the size/configurations. Please consult us.

## DIMENSIONS AND MOUNTING

AxBxC (mm   inch)	INDU LINE GEN4 1 : 102x82x614   4.0x3.2x24.2 INDU LINE GEN4 2 : 102x80x1174   4.0x3.1x46.2 INDU LINE GEN4 3 : 102x80x1454   4.0x3.1x57.2
Weight (kg   lbs)	INDU LINE GEN4 1 : 0.9   2.0 INDU LINE GEN4 2 : 2.0   4.4 INDU LINE GEN4 3 : 2.2   4.8
Mounting possibilities	Clips for surface/wall mounting



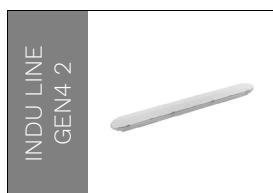
## INDU LINE GEN4 | Clips for surface/wall mounting





	Luminaire output flux (lm)		Power consumption (W)		Luminaire efficacy (lm/W)
	Neutral White 840		Min	Max	
Number of LEDs	Min	Max	Min	Max	Up to
96	3100	3400	24	24	146

Tolerance on LED flux is  $\pm 7\%$  and on total luminaire power  $\pm 5\%$



	Luminaire output flux (lm)		Power consumption (W)		Luminaire efficacy (lm/W)
	Neutral White 840		Min	Max	
Number of LEDs	Min	Max	Min	Max	Up to
140	3400	3800	22	22	174
174	7700	8500	61	61	139
217	4900	4900	32	32	171

Tolerance on LED flux is  $\pm 7\%$  and on total luminaire power  $\pm 5\%$



	Luminaire output flux (lm)		Power consumption (W)		Luminaire efficacy (lm/W)
	Neutral White 840				
Number of LEDs	Min	Max	Min	Max	Up to
180	4200	4600	27	27	171
219	9900	10800	77	77	142
294	6500	7200	44	44	164

Tolerance on LED flux is  $\pm 7\%$  and on total luminaire power  $\pm 5\%$

