

AE-DI2032-G40 Industry Dashcam



- Up to 1080P resolution
- Supports 3-ch video, 1-ch audio (CH 1)
- Supports GPS and speed overlay on picture
- Supports built-in Wi-Fi module, supports Wi-Fi AP
- Supports 4G network
- Supports dual-TF card storage and recording overwrite
- Supports preview, playback and editing parameters via APP
- Supports built-in Gyroscope
- Compatible with 2-ch 720P TVI extended camera
- DSM alarm supports driving safety monitoring etc.
- Easy installation and operation
- Low power consumption and high performance
- Supports HCC and HCP Platforms

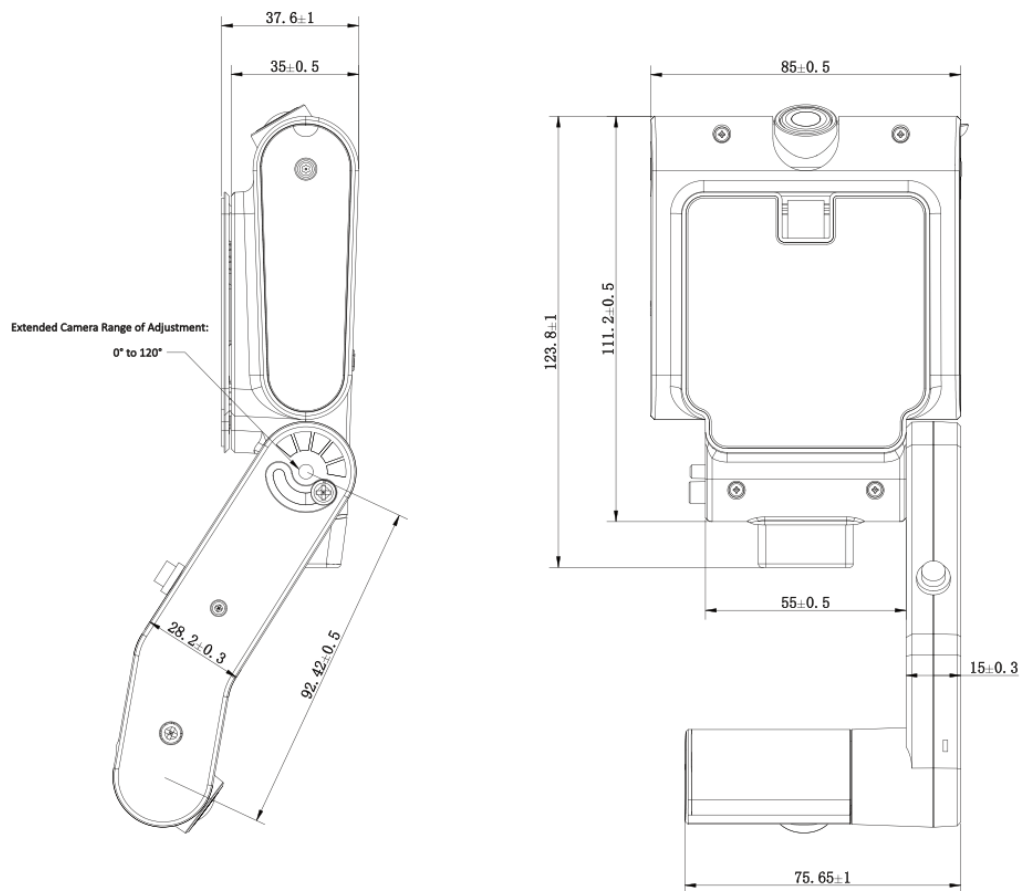
▪ Specification

Built-in Camera	
Image Sensor	1/2.7" Progressive Scan CMOS
Shutter Speed	1/3 s to 1/100, 000 s
Min. Illumination	0.01 Lux @ (AGC ON)
SNR	37.5 dB
Wide Dynamic Range	Supports WDR
Image Settings	Adjustable brightness, chroma, contrast, color saturation, and sharpness
Focal Length	Fixed focal lens, 2.1mm
Aperture	F2.1
Lens Mount	M12
FOV	Horizontal FOV: 127° Vertical FOV: 73° Diagonal FOV: 137°
Extended Camera	
Image Sensor	1/2.8" Progressive Scan CMOS
Shutter Speed	1/25 s to 1/30,000 s
Min. Illumination	0.01 Lux @ (AGC ON)
SNR	42 dB
Focal Length	Fixed focal lens, 2.1 mm
Aperture	F2.1
Lens Mount	M12
FOV	Horizontal FOV: 126° Vertical FOV: 82° Diagonal FOV: 147°
Audio&Video Encoding and Decoding	
Video Compression	H.264,H.265
Audio Compression	G.711alaw,G.711ulaw,AAC
Audio&Video Input	
Video Input	3-channel video (default: 1 channel; extension: 2 channels)
Audio Input	1-channel audio
Video	
OSD	Date, Time, GPS, Speed, etc.
Main Stream	CH1: 25fps 1080P 1920 × 1080 (default) 25fps 720P 1280 × 720 CH2~CH3: 25fps 720P 1280 × 720 (default)
Sub- Stream	CH1: 25fps 720P 1280×720 25fps 480P 640×480 (default) CH2~CH3: 25fps 480P 640×480 (default)
Audio	
Built-in Mic	Omnidirectional pickup, frequency response 50-20000 Hz
Built-in Speaker	Max 1.5 W, with adjustable volume, not less than 70 dB at 1 m distance

Mobile Communication	
Wi-Fi Frequency	2.4 GHz
Positioning	BDS (BeiDou Navigation Satellite System) GPS (Global Positioning System) GLONASS (Global Navigation Satellite System)
Peripheral Device Interface	
Alarm Input	2
SIM Card Slot	1, Industry Micro SIM, Plug-in type
Interface	
Power Interface	1, 8-pin BM male terminal
Reset Key	1, Pinhole button
RS-232	1
Wireless Transmission	
Dial-up	<p>Europe :</p> <p>FDD-LTE: B1, B3, B5, B7, B8, B20 TDD-LTE: B38, B40, B41 UMTS: B1, B5, B8 GSM/GPRS/EDGE: 900/1800 MHz</p> <p>Latin America :</p> <p>FDD-LTE: B1, B2, B3, B4, B5, B7, B8, B28, B66 TDD-LTE: B40 UMTS: B1, B2, B5, B8 GSM/GPRS/EDGE: 850/900/1800/1900 MHz</p> <p>Warning: The device requires industrial SIM card (MP2). The ordinary SIM card (MP1) is prohibited. We are not responsible for any problem caused by the use of any ordinary SIM card.</p>
Wi-Fi Protocol	802.11 b/g/n
Smart Function	
Driving Status Monitoring (DSM)	Distraction prompt detection, fatigue driving (eyes closed), seatbelt unbuckled detection etc.
Advanced Driving Assistance System (ADAS)	Forward Collision Warning (FCW) Pedestrian Collision Warning (PCW)
General	
System	Embedded Linux
Language	Currently only supports English *The language includes APP interface language and voice reminder.
Storage	Dual TF Card (up to 256GB for each) Class10 or above is recommended
Sensor	Six-axis G-Sensor *Harsh acceleration, Harsh deceleration and Harsh cornering
Image Format	JPEG

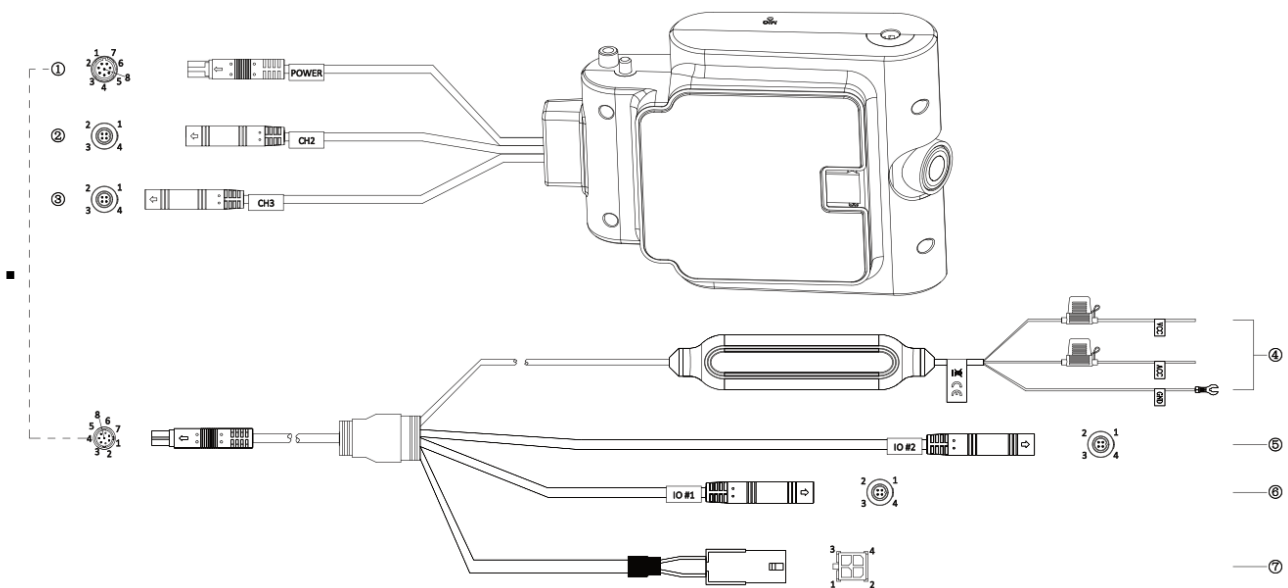
Indicator	<p>Positioning Status Indicator (GNSS) Off: no positioning signal Steady blue: the positioning signal is normal</p> <p>Recording Status Indicator(REC) Off: The built-in or extended camera stops / fails Steady blue: The built-in or extended camera is recording normally</p> <p>Network Status Indicator (4G) Off: No 4G signal Steady blue: 4G signal and the platform connection normal Flashing blue: 4G signal normal but no platform connection</p> <p>Wi-Fi Status Indicator Off: Wi-Fi AP closed Steady blue: Wi-Fi AP open and APP connection normal Flashing blue: Wi-Fi AP open but no APP connection</p>
Protection Level	<p>IP4X *The dashcam is not waterproof</p>
Power Supply	<p>10V~16V/1.5A 20V~36V/1.5A Max 12w</p>
Product Dimension	123.0 mm × 85.0 mm × 38.9 mm (4.8" × 3.4" × 1.5")
With Package Dimension	223 mm × 153 mm × 63 mm (8.8" × 6.0" × 2.5")
Operating Temperature	-20°C to 60°C (-4°F to 140°F)
Operating Humidity	10% to 95% (non-condensing)
Net Weight	Approx. 270 g (0.6 lb.)
With Package Weight	Approx. 900 g (2.0 lb.)
Approval	
CE	Europe: CE-EMC, CE-LVD, CE-RED, CE-RoHS
CB	Europe: CB
E-MARK	Europe: E-MARK
FCC	Latin America: FCC-SDoC, FCC-ID
RCM	Latin America: RCM

▪ Dimension



Unit: mm

▪ Cable Interfaces



No	Interface Name	Interface Form	Interface Definition	Description
①	POWER	8-pin BM Male Terminal	1.232_RXD 2.232_TXD 3.GND	8-pin BM male terminal connects to power cable.

			4.Alarm2 5.Alarm1 6.ACC 7.12V 8.GND	
②	CH2	4-pin BM Male Terminal	1.12VOUT 2.GND 3.TVI1 4.--	4-pin BM male terminal connects to 4-pin BM camera (for DSM camera connection).
③	CH3	4-pin BM Male Terminal	1.12VOUT 2.GND 3.TVI2 4.Audio	4-pin BM male terminal connects to 4-pin BM camera.
④	VCC	Half Stripped Lines	/	VCC connects to vehicle power positive via the power connector.
④	ACC	Half Stripped Lines	/	ACC connects to vehicle ACC via the power connector.
④	GND	FORK Naked Terminal	/	GND connects to the ground line.
⑤/⑥	IO #1/ IO #2	4-pin BM Male Terminal	1.Negative 2.Positive	Connects to alarm button, facilitate capture and upload alarm information to the platform connected.
⑦	RS232 Serial Port	MOLEX	2.GND 3.232_TXD 4.232_RXD	Reserved connection to periphery.

Available Model

AE-DI2032-G40(B)(EN)(Integrated)

AE-DI2032-G40(B)(SA)(Integrated)

Headquarters

No.555 Qianmo Road, Binjiang District,
Hangzhou 310051, China
T +86-571-8807-5998
www.hikvision.com



Follow us on social media to get the latest product and solution information.

