



# Technical Data

Alpha Pompe S.p.A.  
Via Molino Emili, 16  
25030 MACLODIO (BS) Italy

Pump Model  
**FGt 657.5,5-2/184.7 LT**

## Operating data

<b>Flow</b>	30 m <sup>3</sup> /h	<b>Fluid</b>	Water
<b>Head</b>	12 m	<b>Density</b>	0,9983 kg/dm <sup>3</sup>
<b>Geodetic head</b>	0 m	<b>Viscosity</b>	1,005 cSt
<b>Efficiency</b>	14,763 %	<b>Temperature</b>	20 °C
<b>Shaft power P2</b>	4,5442 kW	<b>No. of pumps</b>	1

## Pump

<b>Head H(Qmax)</b>	6,6666 m	<b>Impeller type</b>	Grinder type impeller
<b>Flow (max)</b>	30,6 m <sup>3</sup> /h	<b>Impeller</b>	184 mm
<b>Shut off head</b>	45,014 m	<b>Suction size</b>	
<b>Max. efficiency</b>	40,675 %	<b>Discharge size</b>	1 1/2" BSP
<b>Free passage</b>	7 mm		

## Motor

<b>Phase</b>	3~	<b>Speed</b>	2850 rpm
<b>Frequency</b>	50 Hz	<b>Efficiency</b>	84,7 %
<b>Rated voltage</b>	400 V	<b>Starting mode</b>	Star-delta
<b>Rated current</b>	12 A	<b>Insulation class</b>	H
<b>Power input P1</b>	6,4935 kW	<b>Degree of protection</b>	IP 68
<b>Shaft power P2</b>	5,5 kW	<b>Main cable</b>	
<b>Starting current, direct starting</b>	A	<b>Cable type</b>	H07RNF
<b>Starting current, star-delta</b>	A		

## Materials

<b>CASING</b>	CI FG 260 WITH 0.3% NiCuMo	<b>O RING</b>	NBR
<b>IMPELLER</b>	CI FG 260 WITH 0.3% NiCuMo	<b>SHAFT SEAL</b>	Mech Seal Bellow-2nos
<b>Motor body</b>	CI FG 260 WITH 0.3% NiCuMo		
<b>FASTENERS</b>	SS 304		

**Weight** 55 kg

<b>Project</b> Untitled project 2019-09-11 1	<b>Project no:</b>	<b>Author</b>	<b>Page</b> 1	<b>Date</b> 2019-09-11
---	--------------------	---------------	------------------	---------------------------

# Performance Curve

Alpha Pompe S.p.A.  
Via Molino Emili, 16  
25030 MACLODIO (BS) Italy

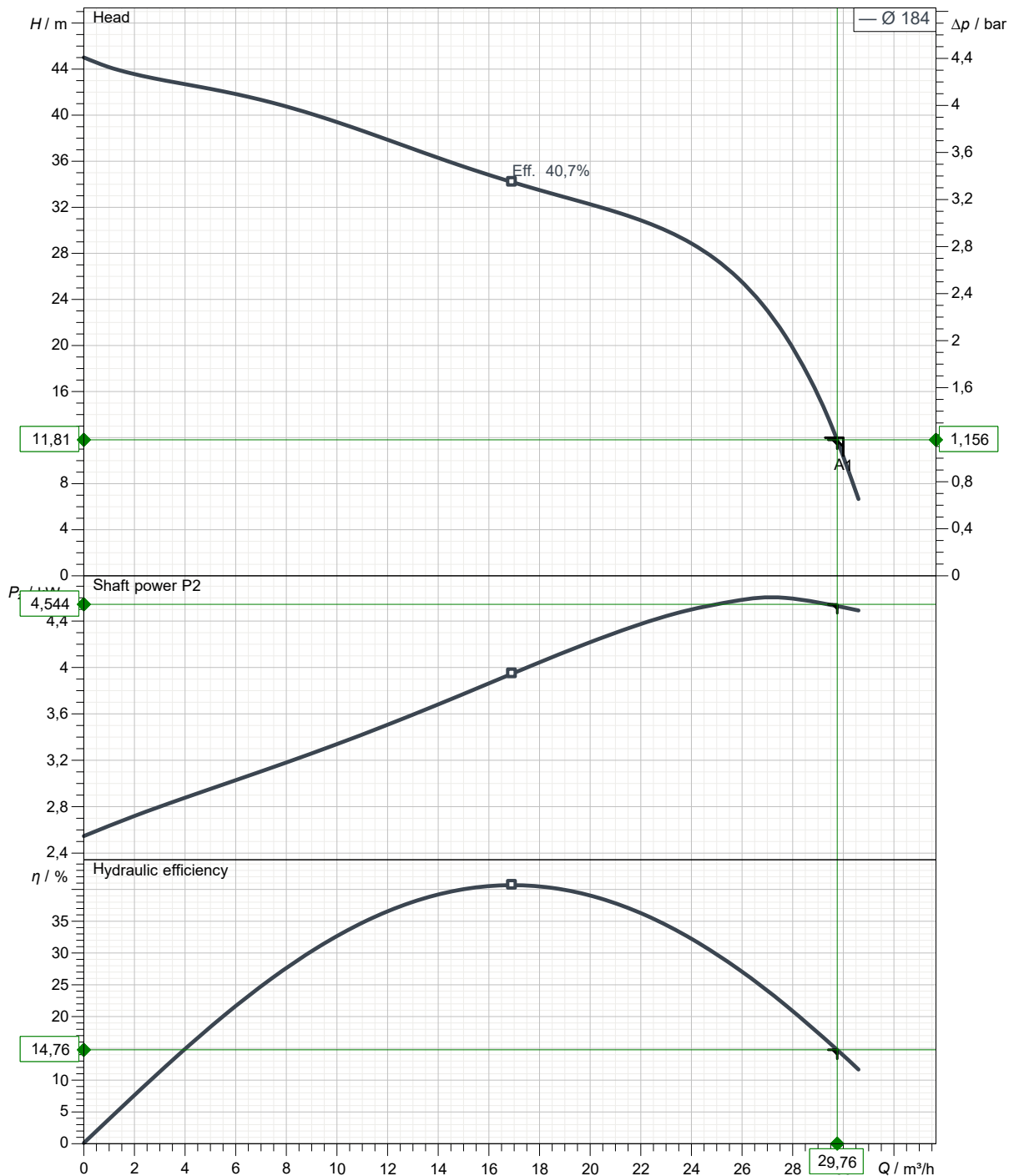
Pump Model  
**FGt 657.5,5-2/184.7 LT**

## Operating data

<b>Impeller type</b> Vortex type impeller		<b>Impeller size</b> 184 mm	
<b>Speed</b> 2850 rpm	<b>Frequency</b> 50 Hz	<b>Rated power P2</b> 5,5 kW	<b>Rated voltage</b> 400 V
<b>Discharge</b> 1 1/2" BSP		<b>H(Q=0)</b> 45,014 m	<b>Flow</b> 30,6 m <sup>3</sup> /h

Power data referred to: Water; 20°C; 0,9983kg/dm<sup>3</sup>; 1,005cSt

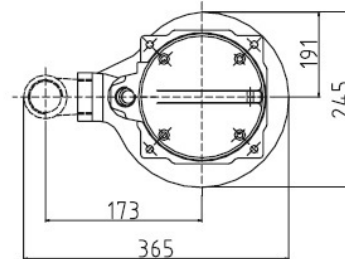
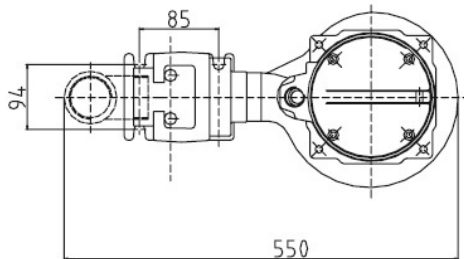
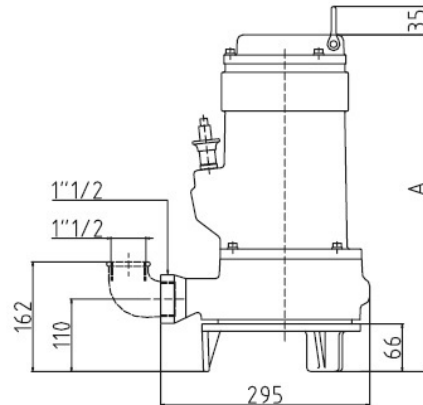
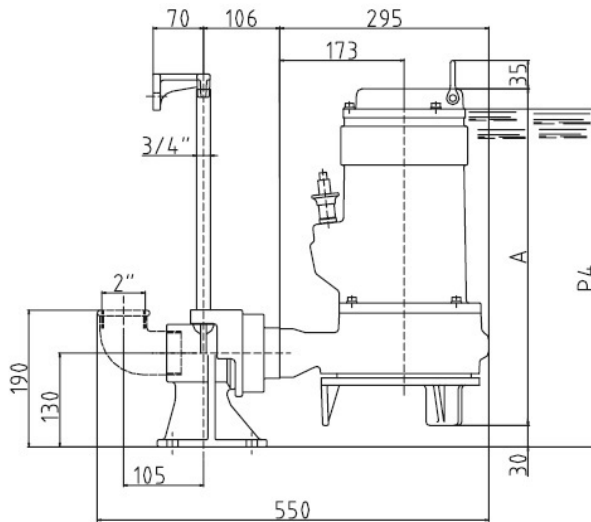
Free passage 7 mm



# Overall Dimensions

Alpha Pompe S.p.A.  
Via Molino Emili, 16  
25030 MACLODIO (BS) Italy

Pump Model  
**FGt 657.5,5-2/184.7 LT**



Auto Coupling

Without Auto Coupling

In view of continuous developments, The information / Specifications / Descriptions / Illustrations are subject to change without notice.

\* The above model can be supplied with the auto coupling option. Suffix "P" in the respective model to denote the same.

## Dimensions in mm

A	470				
---	-----	--	--	--	--