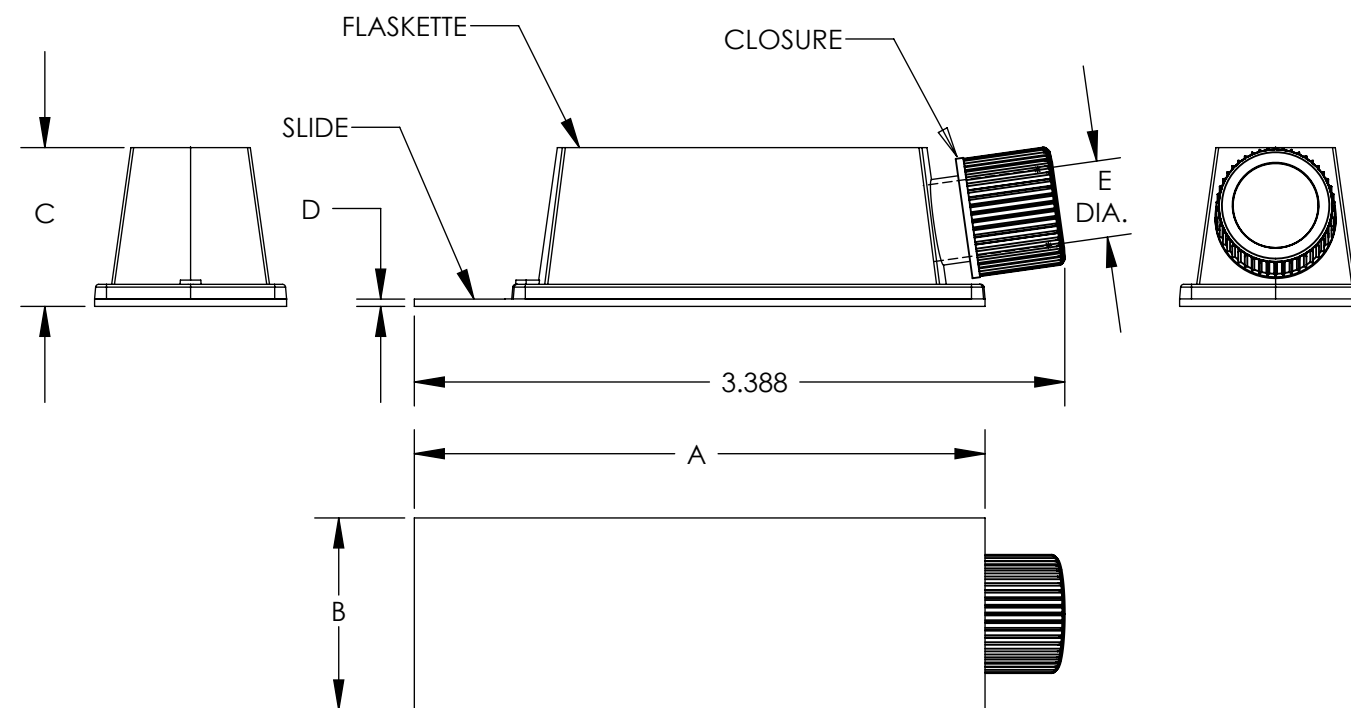
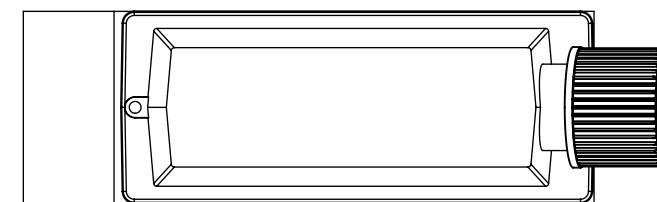
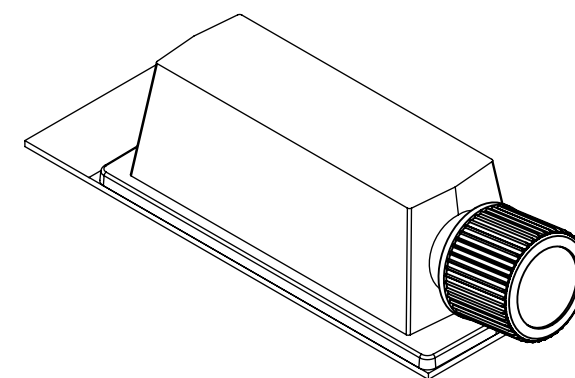


CATALOG NUMBER	SUGGESTED WORKING CAPACITY (mL)	MATERIALS		
		FLASKETTE	SLIDE	CLOSURE
177453	2.5 - 5.0	PS	GLASS	PP

	INCH	MM
A (LENGTH).....:	2.97	75.4
B (WIDTH).....:	1.00	25.4
C (HEIGHT).....:	.82	20.8
D (THICKNESS).....:	.04	1.0
E (NECK I.D.).....:	.39	9.9
F (O.A.L.).....:	3.37	85.6



SPECS ON BACK

NOT TO SCALE

1. ALL DIMENSIONS ARE NOMINAL AND IN INCHES AND MILLIMETERS UNLESS OTHERWISE NOTED.
2. THIS IS NOT A PRODUCTION DRAWING, BUT IS FOR INFORMATIONAL PURPOSES ONLY, AND IS SUBJECT TO CHANGE WITHOUT NOTICE.

**CONFIDENTIAL**

THIS PRODUCT SPECIFICATION SHEET CONTAINS CONFIDENTIAL AND/OR PROPRIETARY INFORMATION AND IS TO BE USED ONLY FOR THE EXPRESSED PURPOSES AGREED UPON BY AN AUTHORIZED OFFICER OF THERMO FISHER SCIENTIFIC.

**ThermoFisher**  
SCIENTIFIC

Thermo Fisher Scientific  
75 Panorama Creek Drive  
Rochester, NY 14625-2385, USA

MADE	PB	APP'D	BR
CK'D	BR	9/30/09	

PSS 177453

REV. 0909

DESCRIPTION:

FLASKETTE GLASS SLIDE 5.0mL