

THIS DRAWING IS UNPUBLISHED. RELEASED FOR PUBLICATION 2017
 © COPYRIGHT2017 BY - TE CONNECTIVITY ALL RIGHTS RESERVED.

REVISIONS					
P	LTR	DESCRIPTION	DATE	DWN	APVD
	C	REDRAWN	14SEP2017	VF	EFG

**SURGE COUNTER
TYPE SC12**

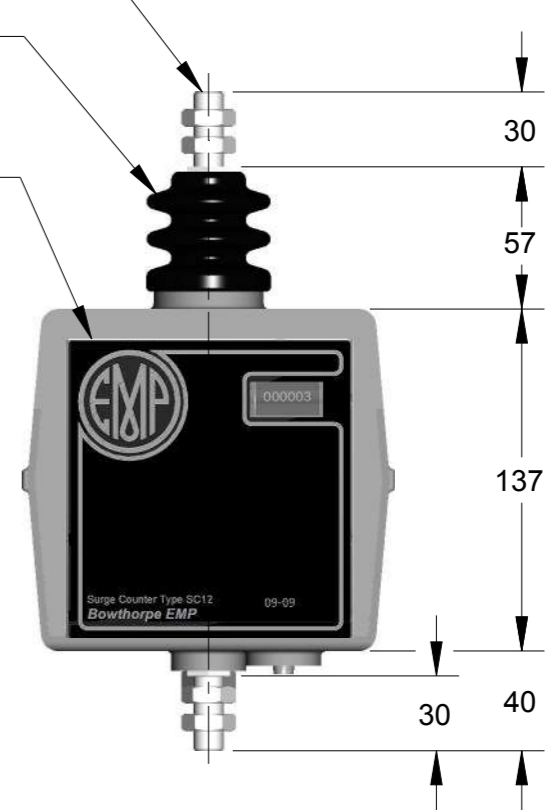
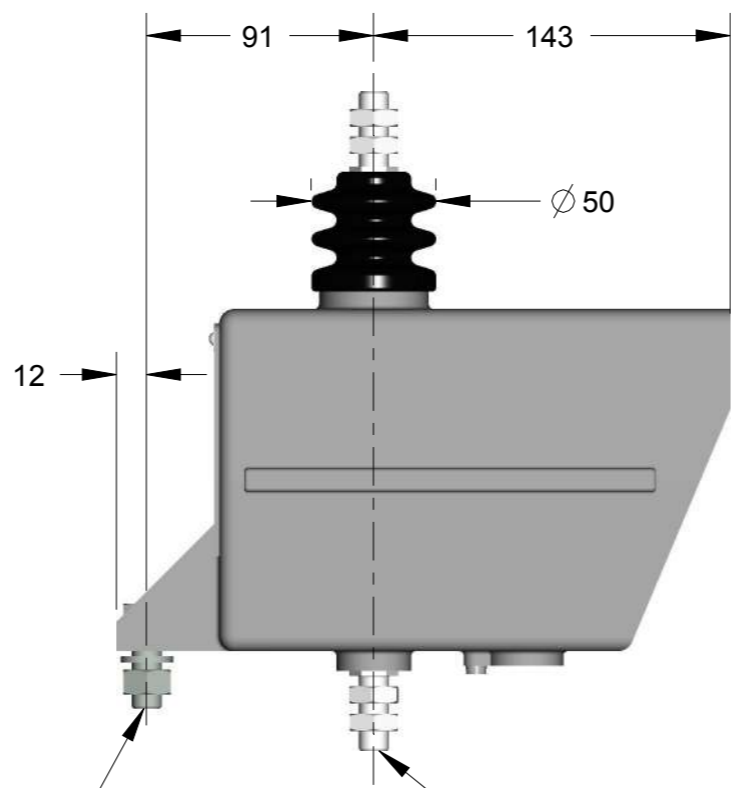
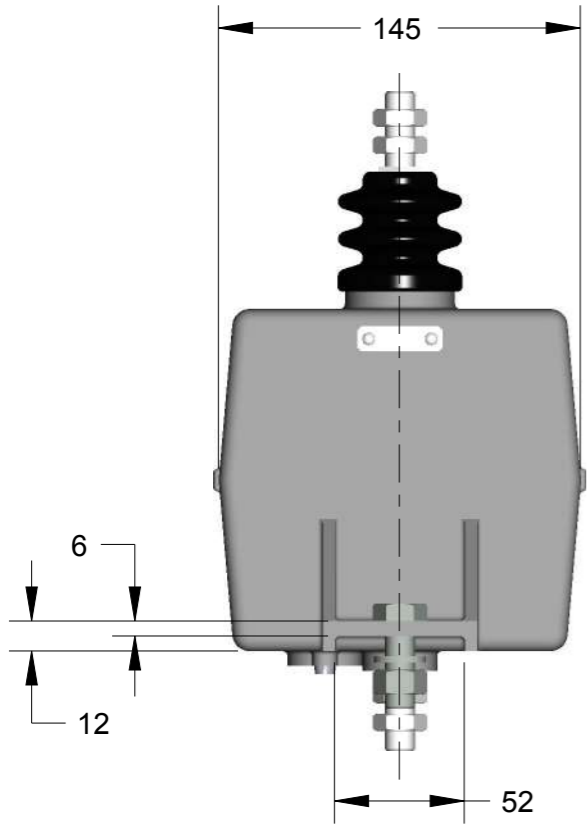
LINE TERMINATION M12 NICKEL
PLATED BRASS FITTED WITH
2-NICKEL PLATED BRASS LOCKNUTS

MOULDED RESIN
INSULATOR

HERMETICALLY SEALED
GLASS DISPLAY PANEL

M12x35 GALVANISED
STEEL SET SCREW
WITH FULLNUT AND
SPRING WASHER

GROUND TERMINATION M12 NICKEL
PLATED BRASS FITTED WITH
2-NICKEL PLATED BRASS LOCKNUTS



MAX. TIGHTENING TORQUE FOR CONNECTIONS AND MOUNTINGS 40 Nm
 COUNTER CASE OF DIE CAST SILICON ALUMINIUM EPOXY POWDER COATED
 PROTECTION CLASSIFICATION IP 67
 WEIGHT 2.7 kg APPROX.

ALL DIMENSIONS NOMINAL
UNLESS SPECIFIED

THIS DRAWING IS A CONTROLLED DOCUMENT.	
DIMENSIONS:	TOLERANCES UNLESS OTHERWISE SPECIFIED:
mm	0 PLC ±
	1 PLC ±
	2 PLC ±
	3 PLC ±
	4 PLC ±
	ANGLES ±
MATERIAL	FINISH
-	-
-	-

DWN	14SEP2017		TE Connectivity	
CHK	14SEP2017		NAME	
APVD	14SEP2017		SURGE COUNTER TYPE: BOW-I-SC12	
PRODUCT SPEC		-		RESTRICTED TO
APPLICATION SPEC		-		SIZE
WEIGHT		NOTE	A3	CAGE CODE
CUSTOMER DRAWING		SCALE	NTS	DRAWING NO
		SHEET	1	OF
		REV	1	C