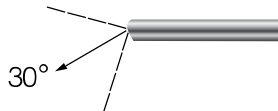


HOPKINS® Telescopes

Diameter 3.3 mm



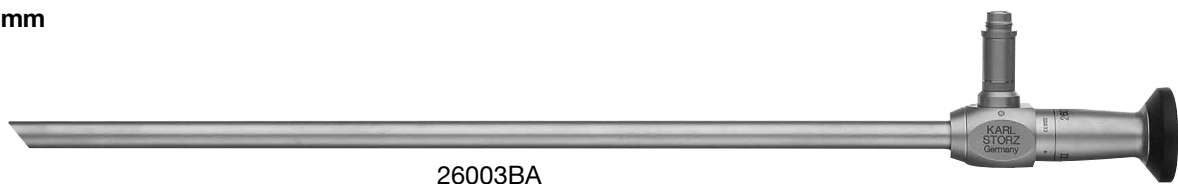
26007BA



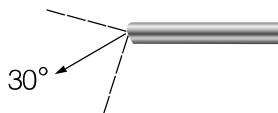
26007BA

HOPKINS® Forward-Oblique Telescope 30°, enlarged view, diameter 3.3 mm, length 25 cm, **autoclavable**, fiber optic light transmission incorporated, color code: red

Diameter 10 mm

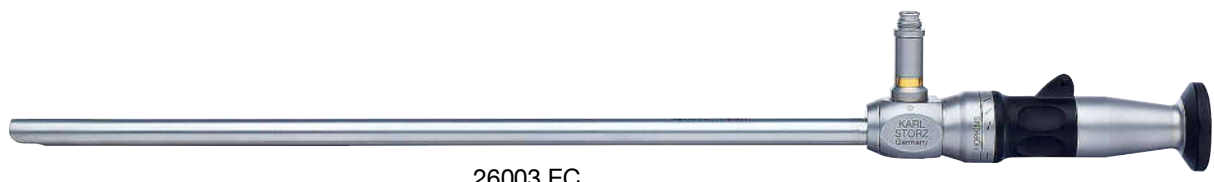


26003BA

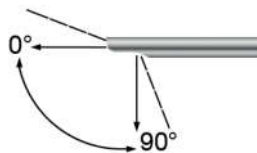


26003BA

HOPKINS® Forward-Oblique Telescope 30°, enlarged view, diameter 10 mm, length 31 cm, **autoclavable**, fiber optic light transmission incorporated, color code: red



26003 EC



26003EC

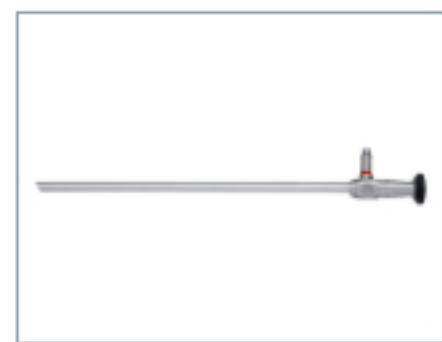
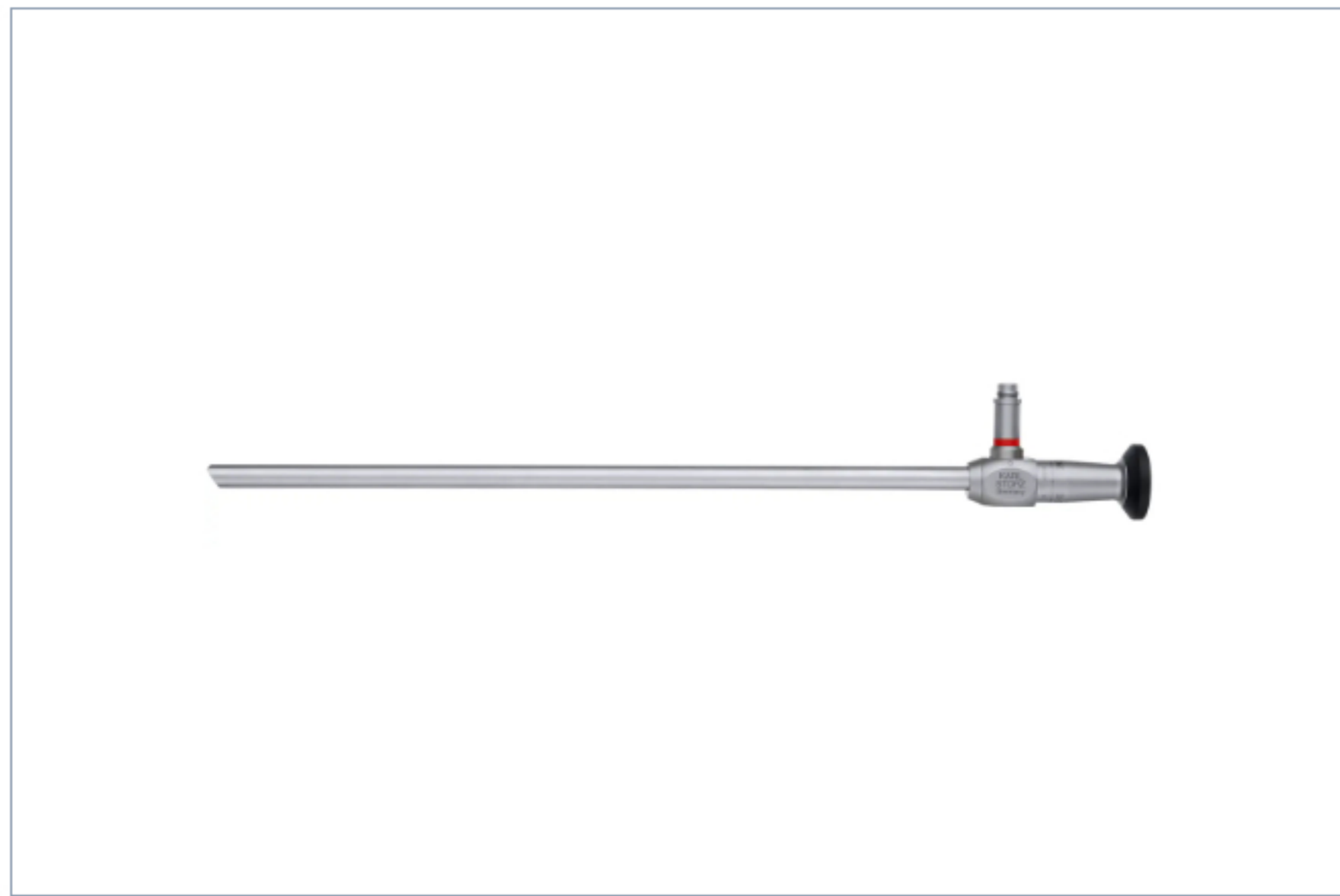
ENDOCAMELEON® HOPKINS® Telescope, diameter 10 mm Ø, length 31 cm, **autoclavable**, variable direction of view from 0°–90°, adjustment knob for selecting the desired direction of view, fiber optic light transmission incorporated, color code: gold



533TVB

Adaptor, autoclavable, permits telescope changing under sterile conditions

It is recommended to check the suitability of the product for the intended procedure prior to use.



Item no: 26003BA

HOPKINS Telescope 30°, 10 mm, 31 cm

Quantity:

[Add to My Quote List](#) 📄

Technical details

Documents & Films

Product group / field of application

Outer diameter	10 mm
Working length	31 cm
Direction of view	30° – Forward-oblique telescope
Brand	HOPKINS®
Light transmission medium	Fiber optic light transmission
For trocar sizes	11 mm
Color code	Red
Autoclavable	Yes

Scissors

CLICK^{linē} – rotating, dismantling,
with and without connector pin for unipolar coagulation

Size 5 mm

Operating instruments, **length 30, 36 cm**,
for use **with trocars size 6 mm**

Operating instruments, **length 43 cm**,
for use with telescopes with inbuilt
working channel and trocars size 6 mm

Length	Handle					
	33151	33121	33149	33161	33131	33147
30 cm						
36 cm						
43 cm						

Double action jaws

Working Insert	Complete Instrument					
34210 MS	34251 MS	34221 MS	34249 MS	34261 MS	34231 MS	34247 MS
34310 MS	34351 MS	34321 MS	34349 MS	34361 MS	34331 MS	34347 MS
34410 MS	34451 MS	34421 MS	34449 MS	34461 MS	34431 MS	34447 MS



CLICK^{linē} METZENBAUM Scissors, curved

34210 MA	34251 MA	34221 MA	34249 MA	34261 MA	34231 MA	34247 MA
34310 MA	34351 MA	34321 MA	34349 MA	34361 MA	34331 MA	34347 MA
34410 MA	34451 MA	34421 MA	34449 MA	34461 MA	34431 MA	34447 MA



CLICK^{linē} Scissors, serrated blades, spoon-shaped, curved

34210 MW	34251 MW	34221 MW	34249 MW	34261 MW	34231 MW	34247 MW
34310 MW	34351 MW	34321 MW	34349 MW	34361 MW	34331 MW	34347 MW
34410 MW	34451 MW	34421 MW	34449 MW	34461 MW	34431 MW	34447 MW



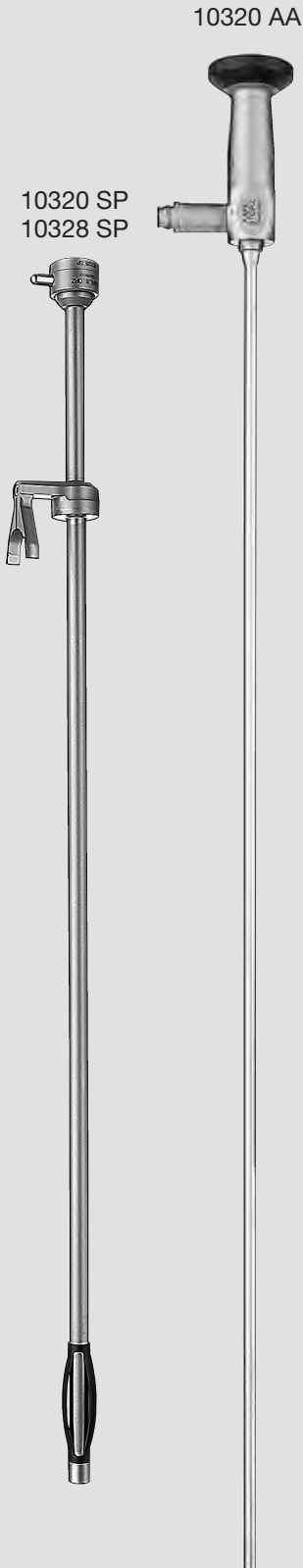
CLICK^{linē} Scissors, serrated, curved, conical

34210 MD	34251 MD	34221 MD	34249 MD	34261 MD	34231 MD	34247 MD
34310 MD	34351 MD	34321 MD	34349 MD	34361 MD	34331 MD	34347 MD



CLICK^{linē} Scissors, straight

HOPKINS® Telescopes and Telescope Guide Sheaths



Special Features:

- Precise positioning of the telescope in the bronchoscope during insertion
- The telescope guide sheath prevents rod lenses from breaking if exposed to very large loads during intubation with a rigid bronchoscope

For use with Bronchoscopes 10318 and Optical Forceps 10350

10320 AA

HOPKINS® Straight Forward Telescope 0°, diameter 5.5 mm, length 50 cm, **autoclavable**, fiber optic light transmission incorporated, color code: green

10320 BA

HOPKINS® Forward-Oblique Telescope 30°, diameter 5.5 mm, length 50 cm, **autoclavable**, fiber optic light transmission incorporated, color code: red

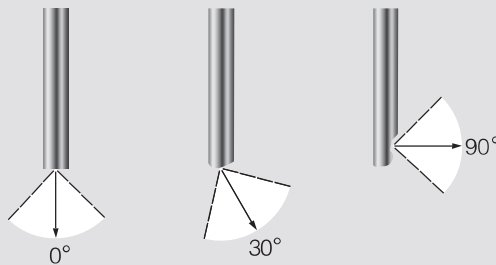
10320 DA

HOPKINS® Lateral Telescope 90°, diameter 5.5 mm, length 50 cm, **autoclavable**, fiber optic light transmission incorporated, color code: blue

For use with Bronchoscopes 10318 and Optical Forceps 10352

10328 AA

HOPKINS® Straight Forward Telescope 0°, diameter 4.5 mm, length 50 cm, **autoclavable**, fiber optic light transmission incorporated, color code: green



10320 AA
10328 AA

10320 BA

10320 DA

NEW 10320 SP

Telescope Guide Sheath, for use with Bronchoscopes 10318 BP/CP/DP, 10318 ER/GL/FL and HOPKINS® Telescopes 10320 AA/BA

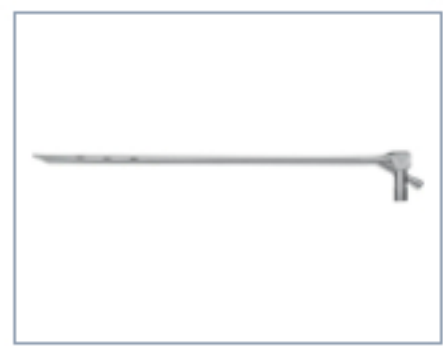
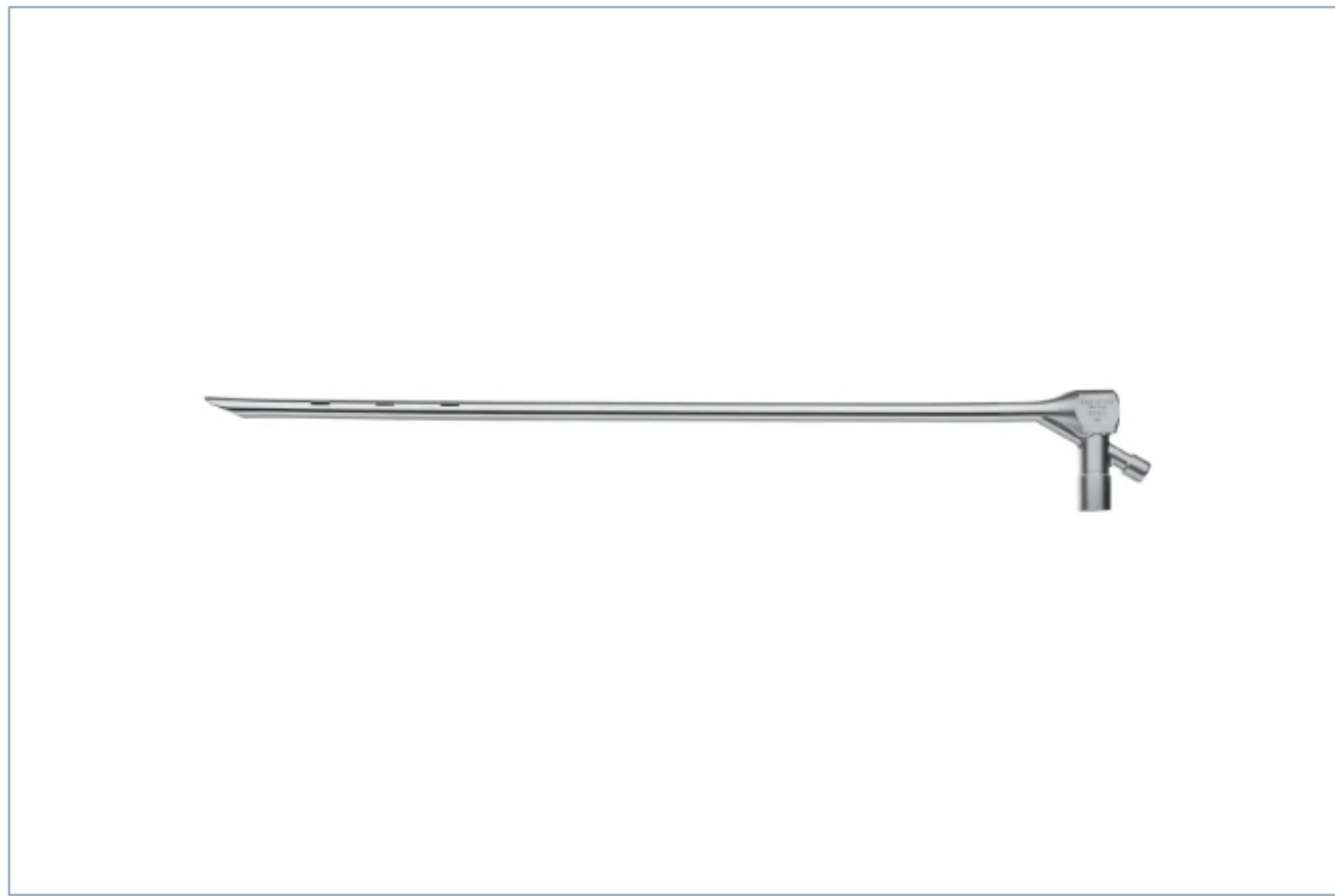
NEW 10328 SP

Telescope Guide Sheath, for use with Bronchoscopes 10318 BP/CP/DP, 10318 ER/GL/FL and HOPKINS® Telescope 10328 AA

Container for the Sterilization and Storage of Telescopes see HYGIENE catalog

[Home page](#) > Online Catalog

10318D



Item no: 10318D

Universal Bronchoscope, size 6.5

Quantity:

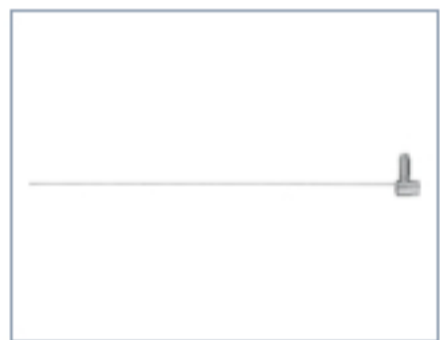
[Add to My Quote List](#) 📄

Technical details

Documents & Films

Product group / field of application

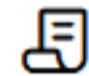
Sheath outer diameter	9.2 mm
Outer diameter at distal end	10.5 mm
Size	6.5
Inner diameter	8.5 mm
Working length	43 cm
Universal Bronchoscope	Yes
Field of application	Bronchoscopy



Item no: 10318L

Fiber Optic Light Carrier

Quantity:

[Add to My Quote List](#) 

Technical details

Documents & Films

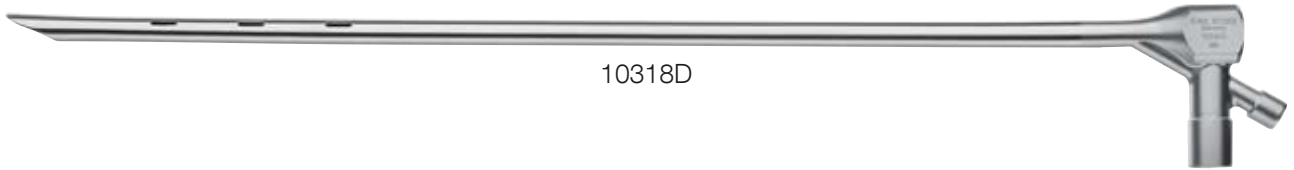
Product group / field of application

Connection on bronchoscope

Central working channel

Application

For rigid bronchoscopes

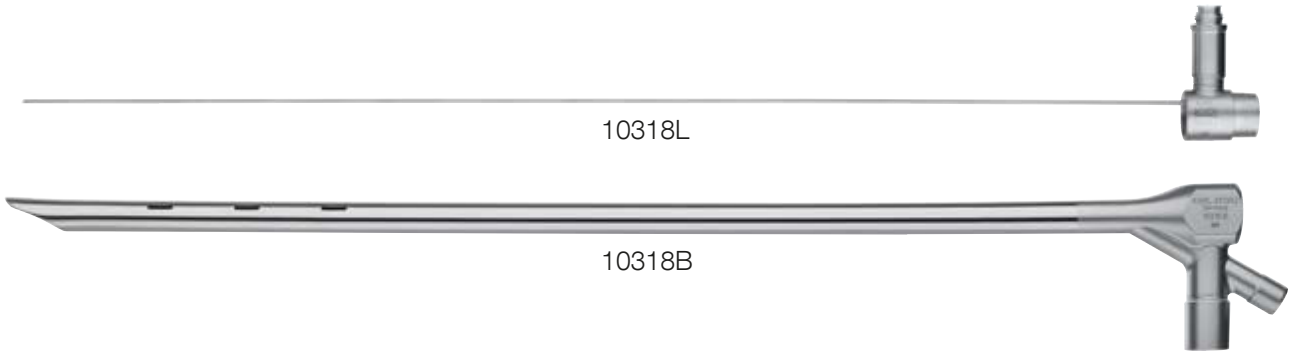


10318D

10318DK

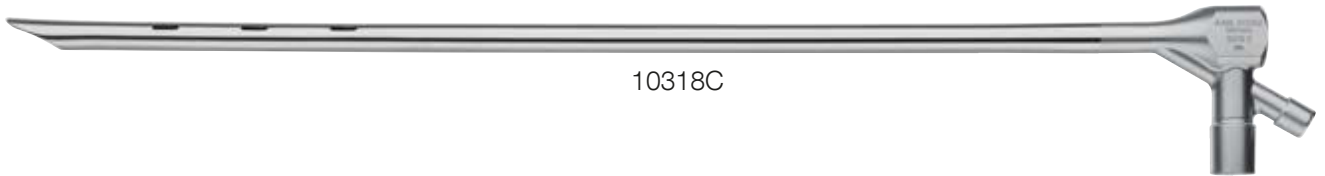
Universal Bronchoscope, size 6.5,
outer diameter 9.2 mm, inner diameter 8.5 mm,
length 43 cm,
consisting of:
10318D **Universal Bronchoscope**
10318L **Fiber Optic Light Carrier**

Bronchoscopes



10318BK

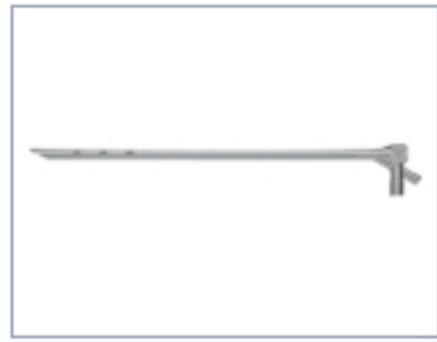
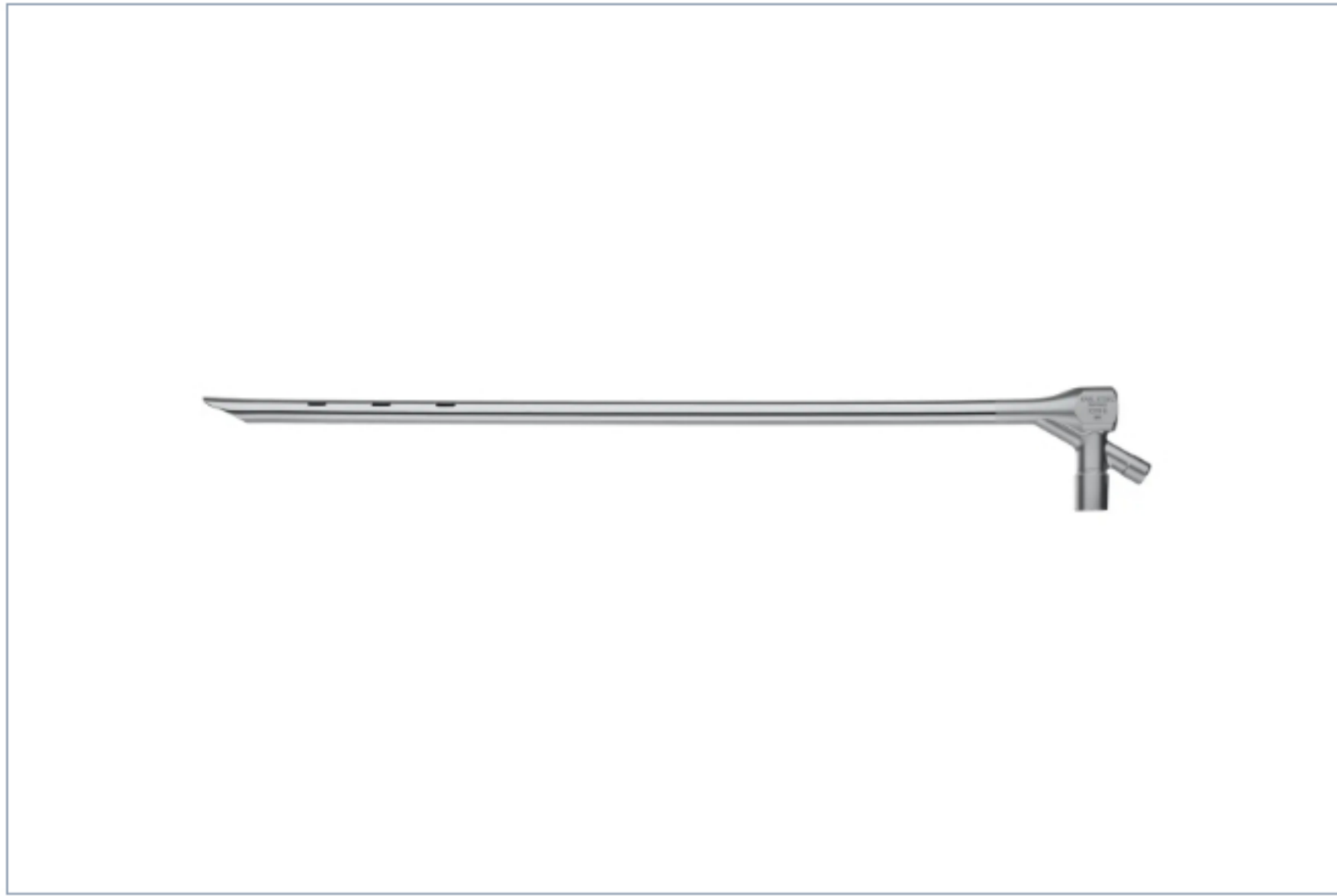
Universal Bronchoscope, size 8.5,
outer diameter 11.2 mm, inner diameter 10.5 mm,
length 43 cm,
consisting of:
10318B **Universal Bronchoscope**
10318L **Fiber Optic Light Carrier**



10318CK

Universal Bronchoscope, size 7.5,
outer diameter 10.2 mm, inner diameter 9.5 mm,
length 43 cm,
consisting of:
10318C **Universal Bronchoscope**
10318L **Fiber Optic Light Carrier**

[Home page](#) > Online Catalog



Item no: 10318B

Universal Bronchoscope, size 8.5

Quantity:

– 1 +

Add to My Quote List 📄

Technical details

Documents & Films

Product group / field of application

Sheath outer diameter 11.2 mm

Outer diameter at distal end 12.5 mm

Size 8.5

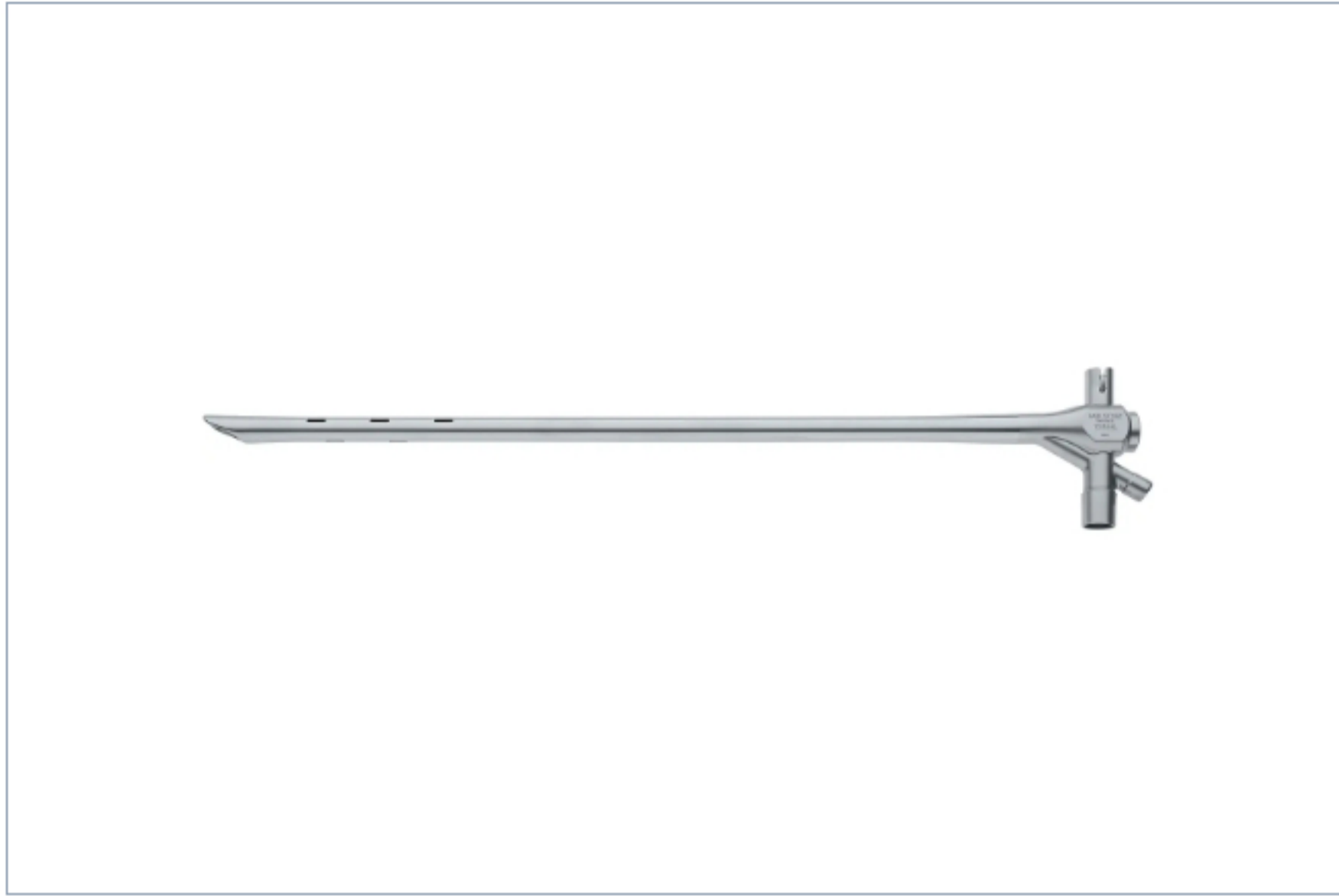
Inner diameter 10.5 mm

Working length 43 cm

Universal Bronchoscope Yes

Field of application Bronchoscopy

[Home page](#) > Online Catalog



Item no: 10318FL

Bronchoscope, 43 cm, size 12 mm

Quantity:

[Add to My Quote List](#) 📄

Technical details

Documents & Films

Product group / field of application

Sheath outer diameter 12 mm

Outer diameter at distal end 14.8 mm

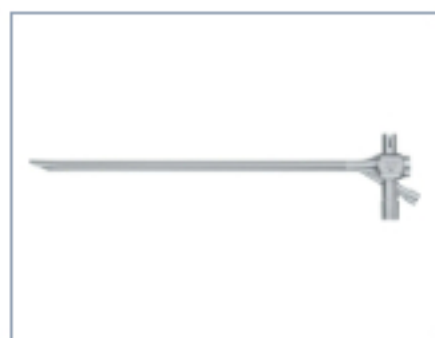
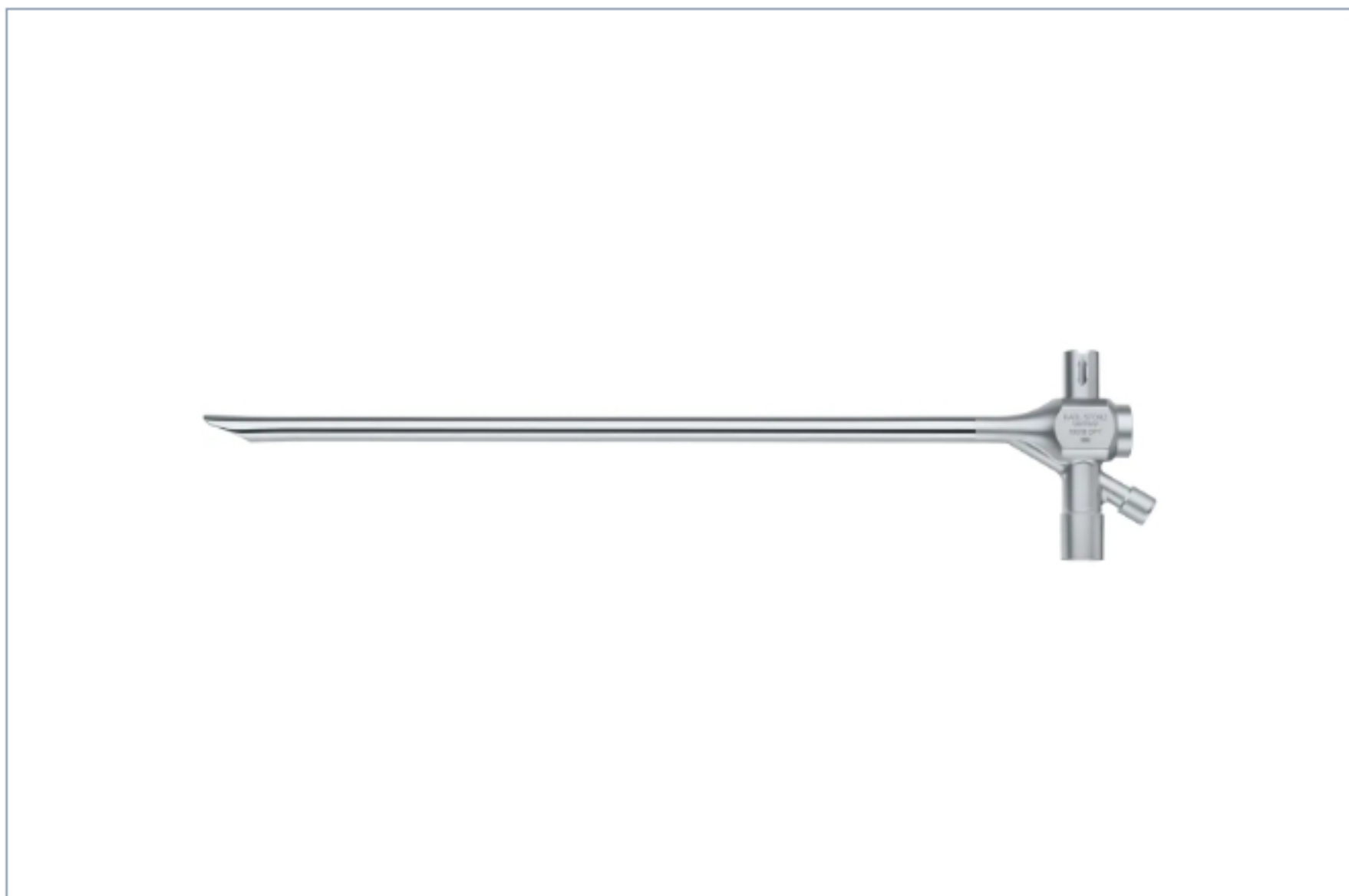
Size 12

Inner diameter 11 mm

Working length 43 cm

Universal Bronchoscope No

Field of application Bronchoscopy



Item no: 10318DPT

Universal Tracheoscope, size 6.5, 33 cm

Quantity:

[Add to My Quote List](#) 📄

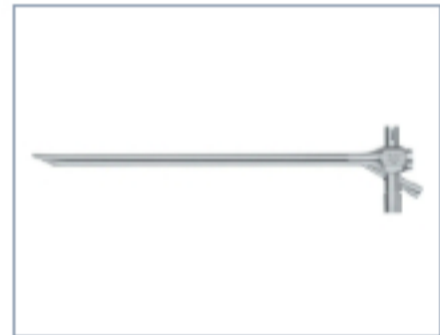
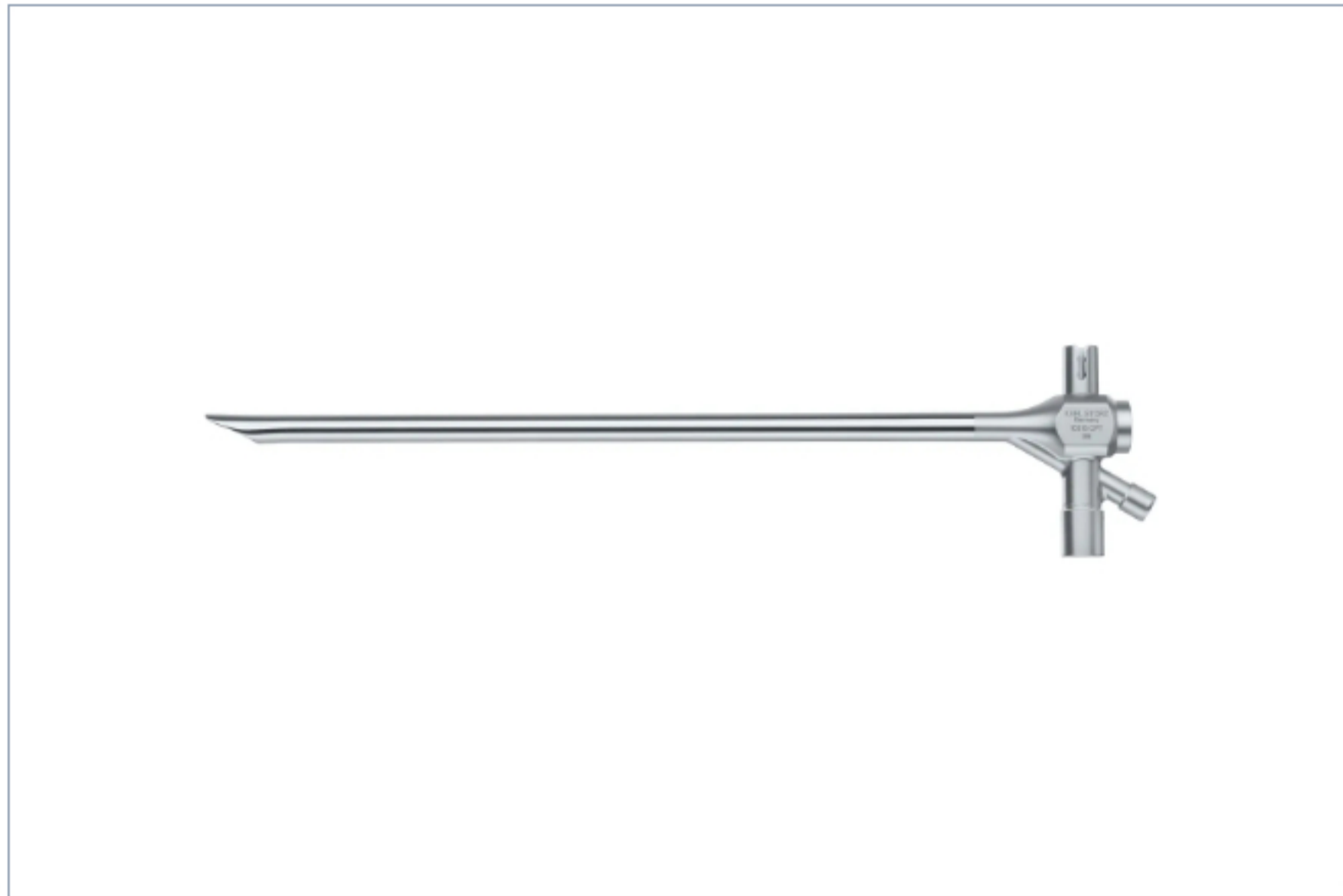
Technical details

Documents & Films

Product group / field of application

Size	6.5
Sheath outer diameter	9.2 mm
Outer diameter at distal end	10.5 mm
Working length	33 cm

[Home page](#) > Online Catalog



Item no: 10318CPT

Universal Tracheoscope, size 7.5, 33 cm

Quantity:

[Add to My Quote List](#) 📄

Technical details

Documents & Films

Product group / field of application

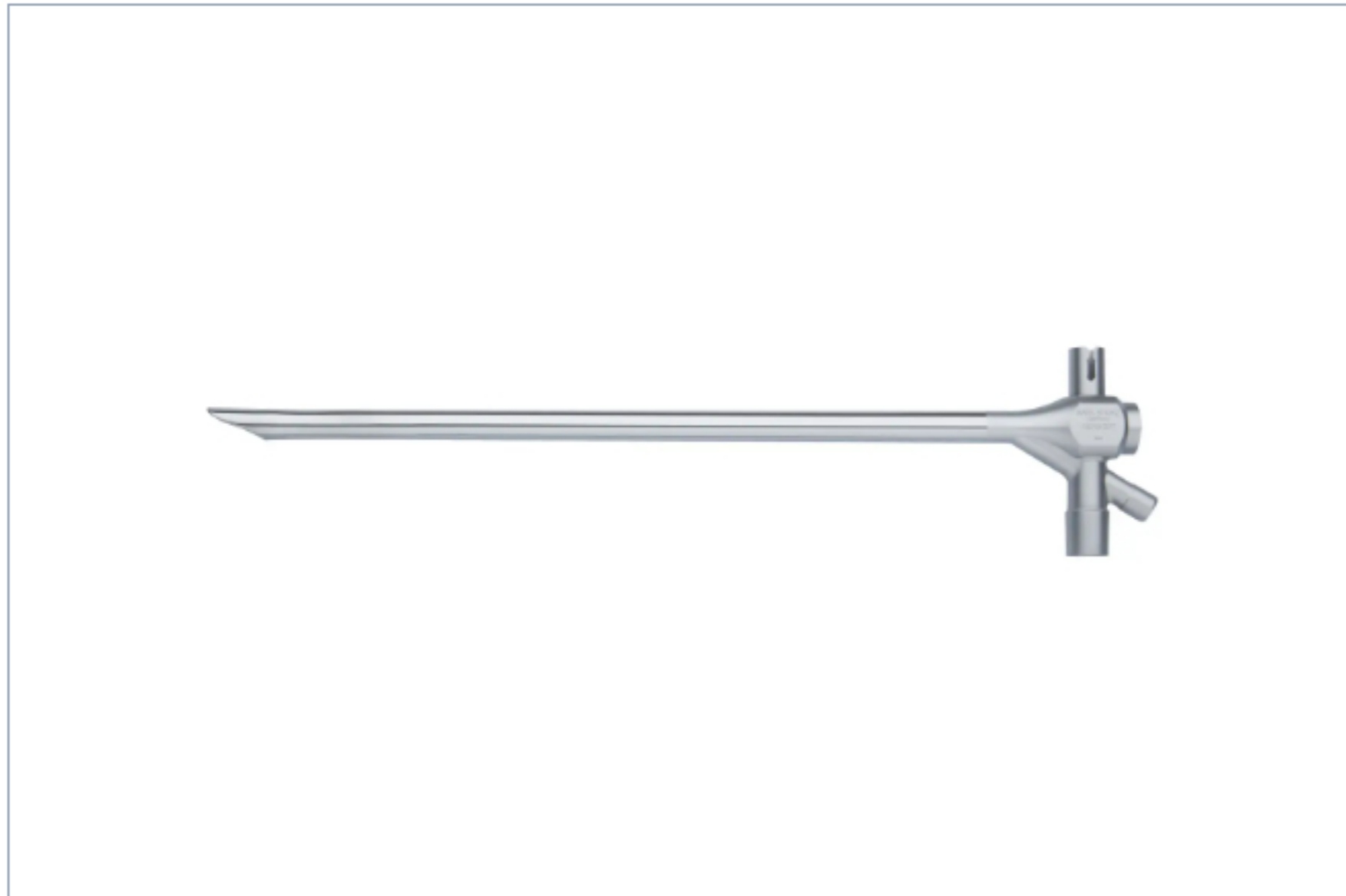
Size 7.5

Sheath outer diameter 10.2 mm

Outer diameter at distal end 11.5 mm

Working length 33 cm

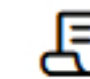
[Home page](#) > [Online Catalog](#)



Item no: 10318BPT

Universal Tracheoscope, size 8.5, 33 cm

Quantity:

[Add to My Quote List](#) 

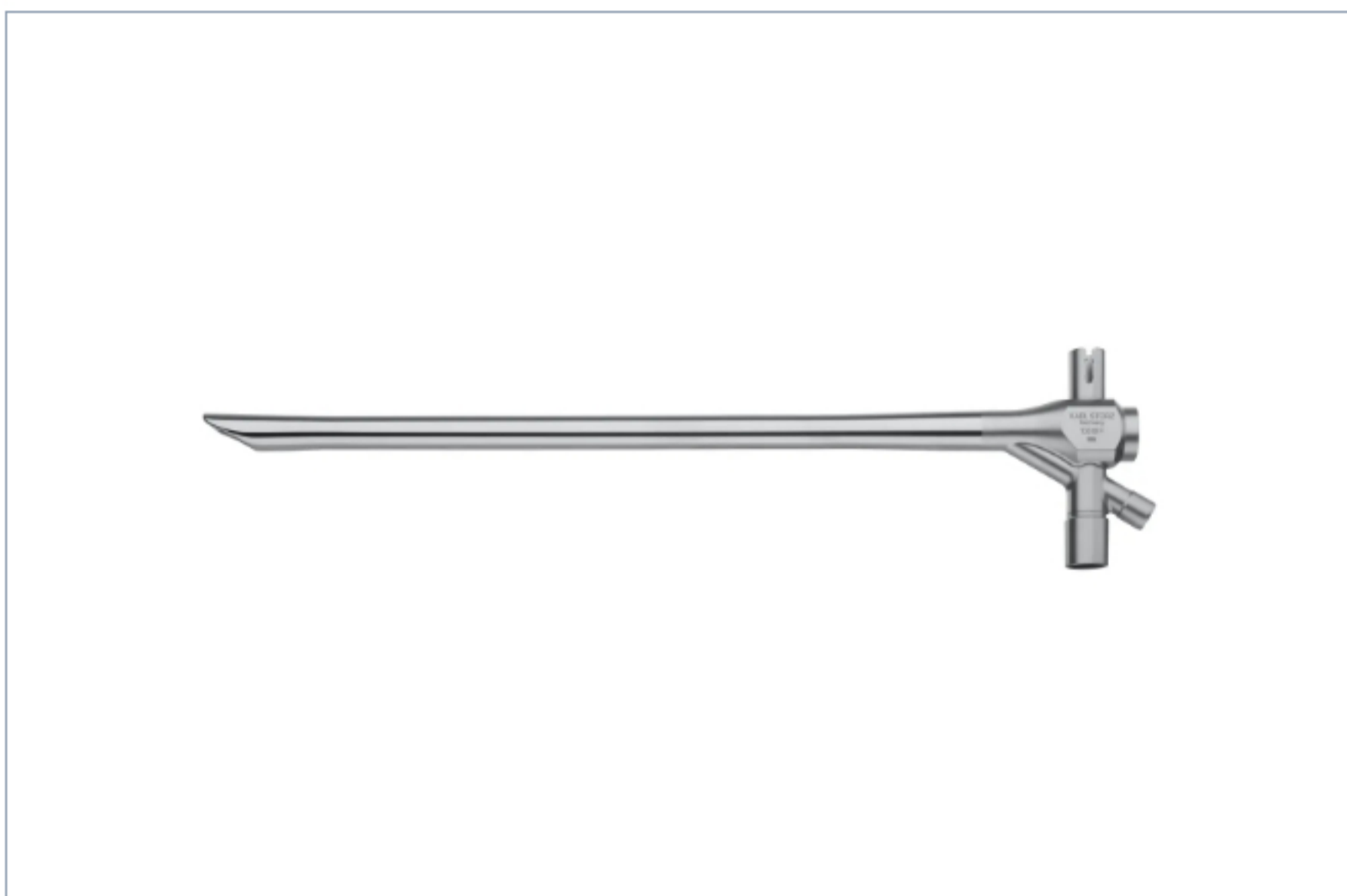
Technical details

Documents & Films

Product group / field of application

Size	8.5
Sheath outer diameter	11.2 mm
Outer diameter at distal end	12.5 mm
Working length	33 cm

[Home page](#) > Online Catalog



Item no: 10318F

Tracheoscope

Quantity:

[Add to My Quote List](#) 📄

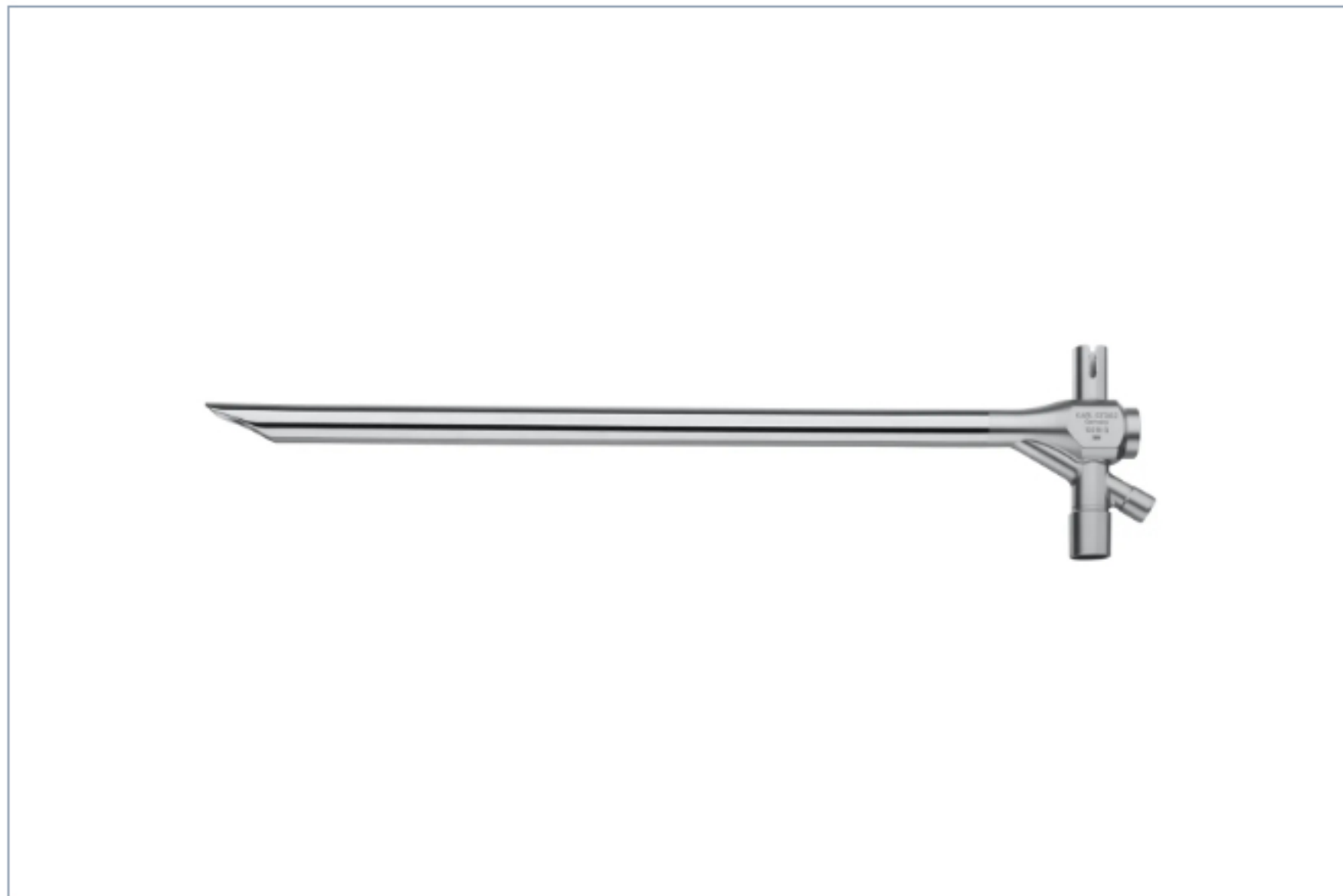
Technical details

Documents & Films

Product group / field of application

Size	12
Sheath outer diameter	12 mm
Outer diameter at distal end	14.8 mm
Working length	33 cm

[Home page](#) > Online Catalog



Item no: 10318G

Tracheoscope, size 14 mm, 33 cm

Quantity:

[Add to My Quote List](#) 📄

Technical details

Documents & Films

Product group / field of application

Size

14

Sheath outer diameter

14 mm

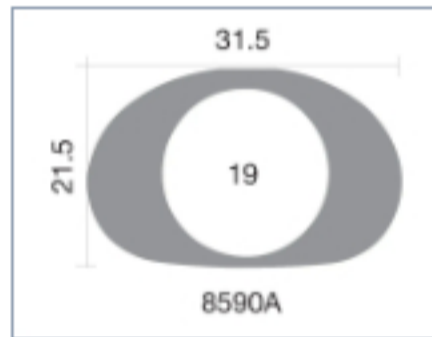
Outer diameter at distal end

15 mm

Working length

33 cm

[Home page](#) › [Online Catalog](#)



Item no: 8590A

Operating Laryngoscope, 17 cm

Quantity:

[Add to My Quote List](#) 📄

Technical details

Documents & Films

Product group / field of application

Inner diameter proximal (w x h) 31.5 x 21.5 mm

Inner diameter distal (w x h) 19 mm

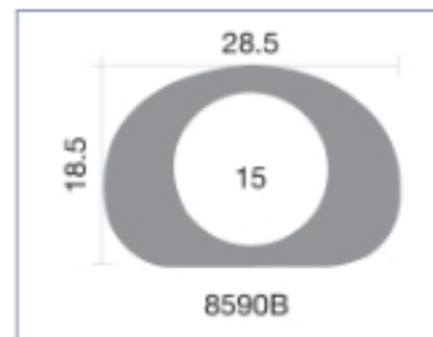
Field of application Adults

Author KLEINSASSER

Model Extra large

Total length 17 cm

[Home page](#) > Online Catalog



Item no: 8590B

Operating Laryngoscope, large

Quantity:

– 1 +

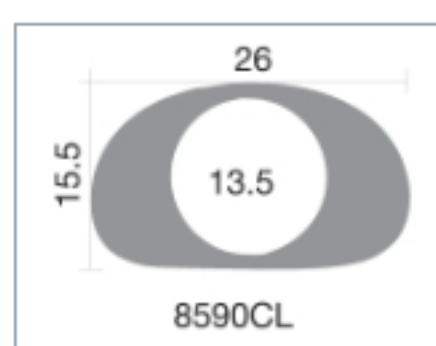
Add to My Quote List 📄

Technical details

Documents & Films

Product group / field of application

Inner diameter proximal (w x h)	28.5 x 18.5 mm
Inner diameter distal (w x h)	15 mm
Field of application	Adults
Author	KLEINSASSER
Model	Large
Total length	17 cm



Item no: 8590CL

Operating Laryngoscope, medium

Quantity:

[Add to My Quote List](#) 📄

Product details

- KLEINSASSER laryngoscopes in the familiar conical shape
- Modified by RUDERT with lateral outer channels for suction tube to remove vapor and/or for fiber optic light carriers, thus no obstruction of view
- Full use of the entire laryngoscope lumen possible

Technical details

Documents & Films

Product group / field of application

Inner diameter proximal (w x h)	26 x 15.5 mm
Inner diameter distal (w x h)	13.5 mm
Field of application	Adults
Author	KLEINSASSER
Model	Medium
Total length	17 cm

[Home page](#) > Online Catalog



Item no: 10350HF

Optical Forceps, with alligator jaws

Quantity:

[Add to My Quote List](#) 📄

Technical details

Documents & Films

Product group / field of application

Jaw shape	Alligator
Jaw surface	Serrated
Jaw mobility	Double action jaws
Force-limited handle	Yes
Working length	45 cm
Length	52 cm
For bronchoscope sizes	7,5 - 8,5 mm

[Home page](#) > Online Catalog



Item no: 10352KF

Optical Forceps, for peanuts

Quantity:

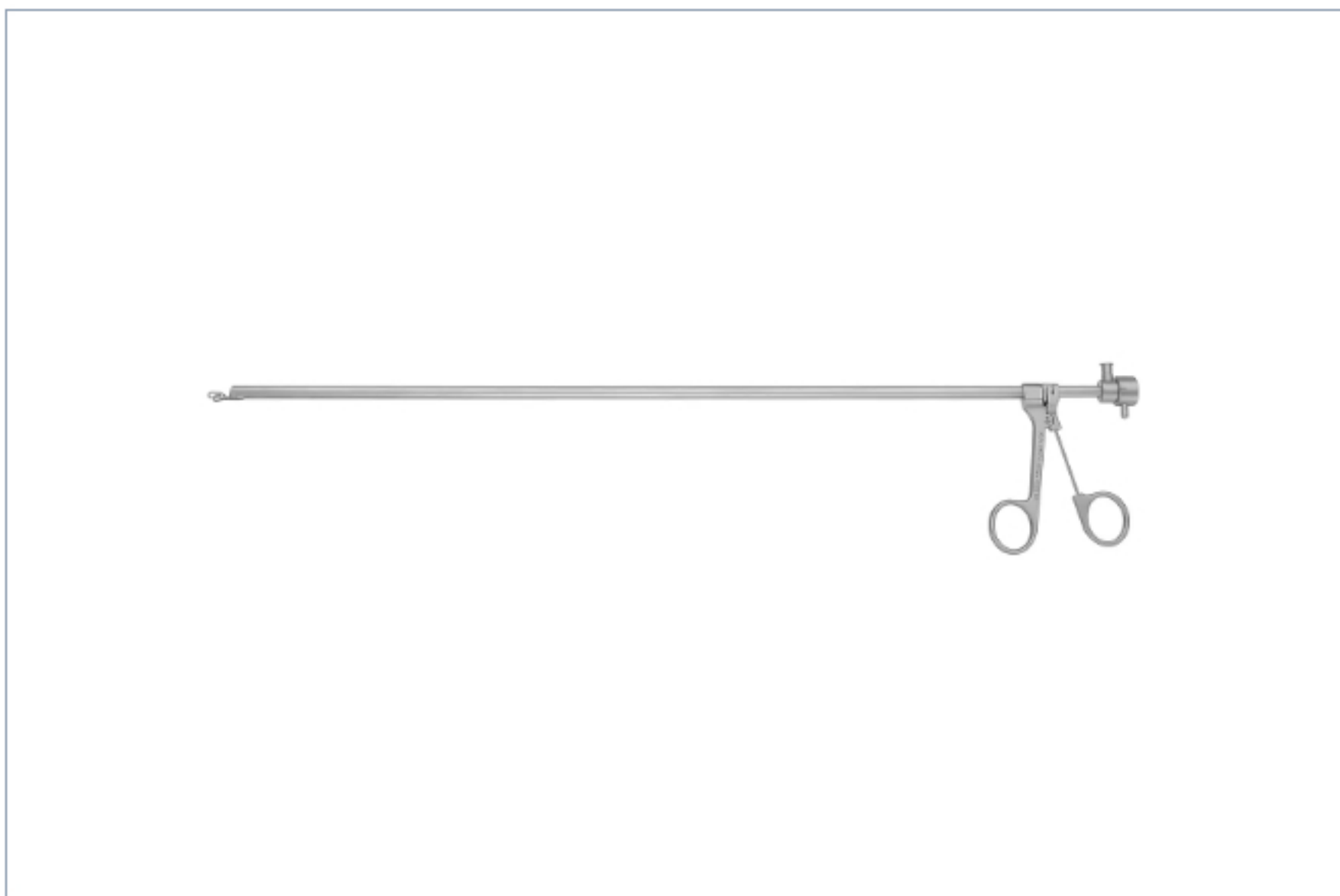
Technical details

Documents & Films

Product group / field of application

Jaw shape	Bean jaws
Jaw surface	Blunt grooved
Jaw mobility	Double action jaws
Force-limited handle	Yes
Working length	46 cm
Length	52 cm
For bronchoscope sizes	6,5 - 8,5 mm

[Home page](#) › [Online Catalog](#)



Item no: 10350KF

Optical Forceps, for peanuts

Quantity:

[Add to My Quote List](#) 📄

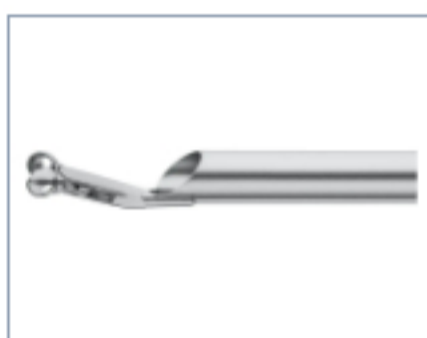
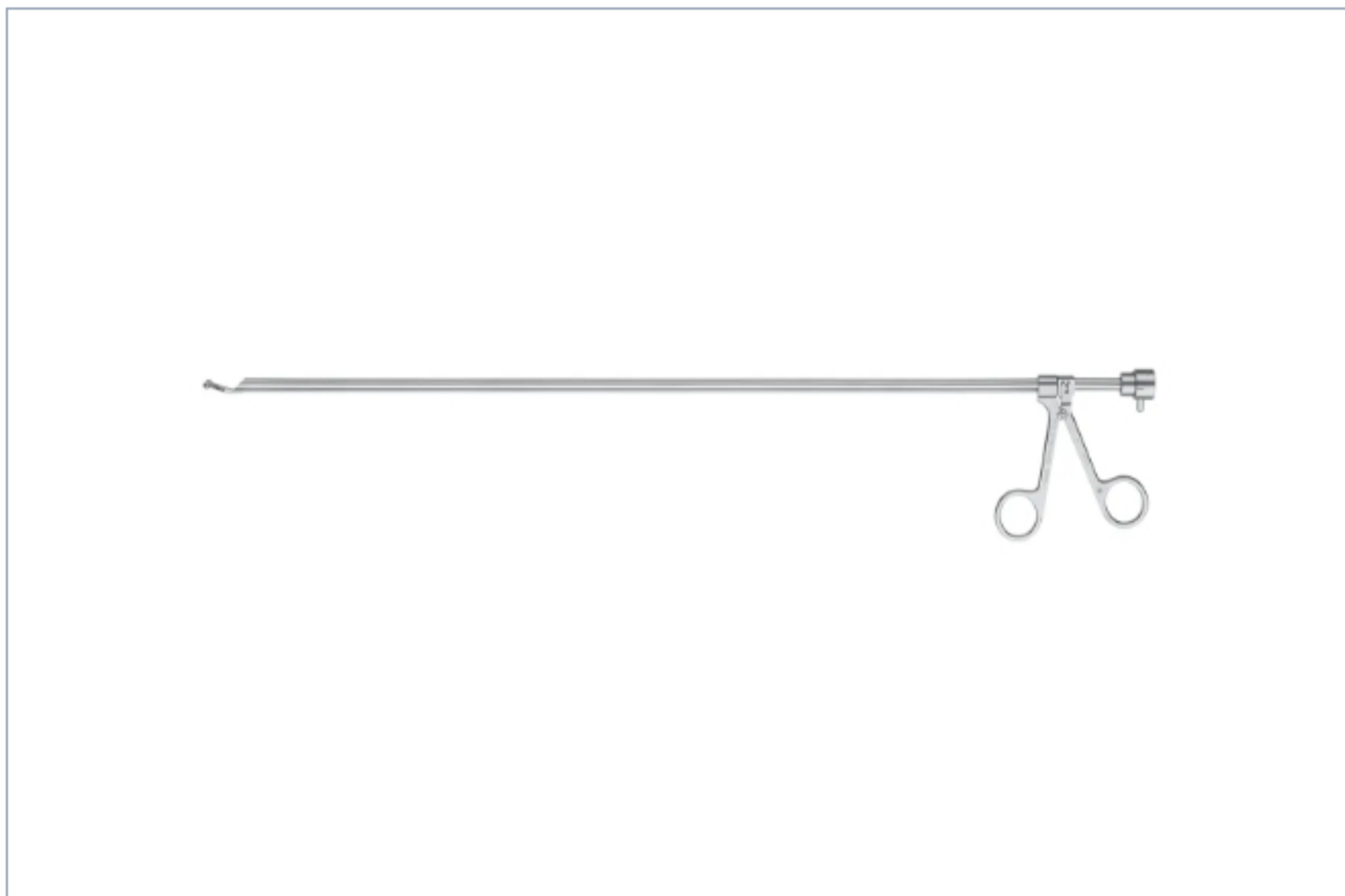
Technical details

Documents & Films

Product group / field of application

Jaw shape	Bean jaws
Jaw surface	Blunt grooved
Jaw mobility	Double action jaws
Force-limited handle	Yes
Working length	45 cm
Length	51 cm
For bronchoscope sizes	7,5 - 8,5 mm

[Home page](#) > [Online Catalog](#)



Item no: 10350L

Optical Forceps, for biopsy

Quantity:

[Add to My Quote List](#) 📄

Technical details

Documents & Films

Product group / field of application

Jaw shape

Round

Jaw surface

Spoon-shaped

Jaw mobility

Double action jaws

Force-limited handle

No

Working length

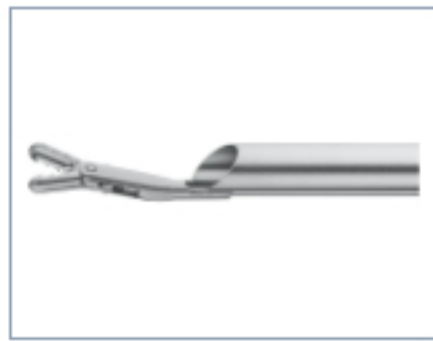
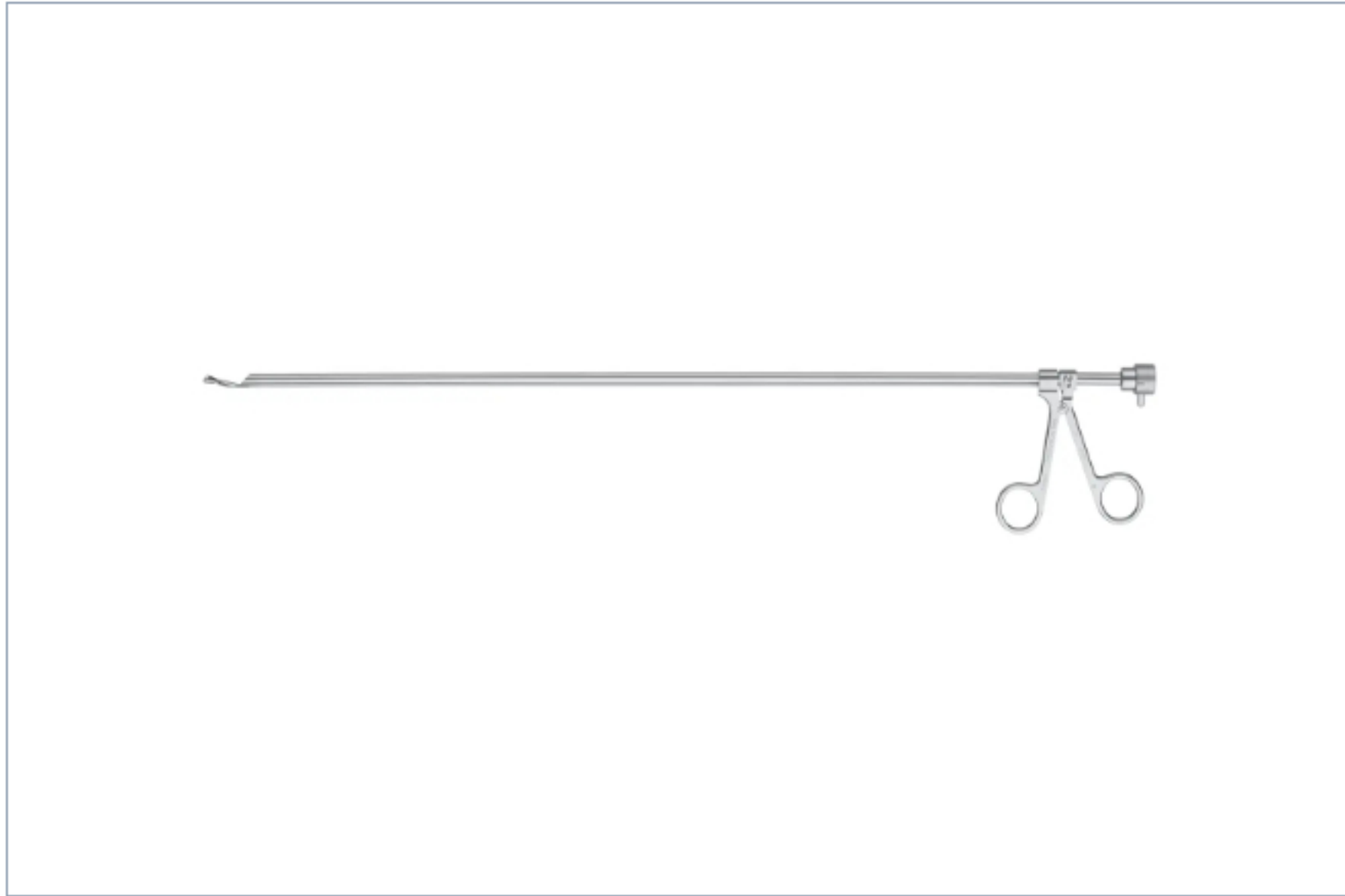
45 cm

Length

52 cm

For bronchoscope sizes

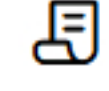
7,5 - 8,5 mm



Item no: 10350U

Optical Forceps, universal

Quantity:

[Add to My Quote List](#) 

Technical details

Documents & Films

Product group / field of application

Jaw shape	Universal
Jaw surface	Serrated
Jaw mobility	Double action jaws
Force-limited handle	No
Working length	46 cm
Length	52 cm
For bronchoscope sizes	7,5 - 8,5 mm



Item no: 10350F

Optical Forceps, large jaws, blunt

Quantity:

[Add to My Quote List](#) 📄

Technical details

Documents & Films

Product group / field of application

Jaw shape Fenestrated

Jaw surface Blunt grooved

Jaw mobility Double action jaws

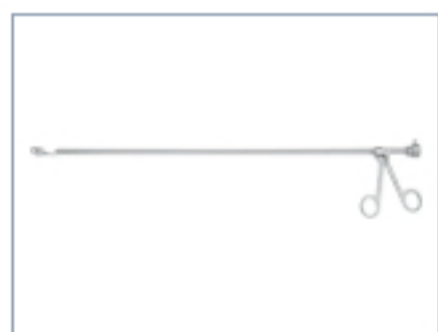
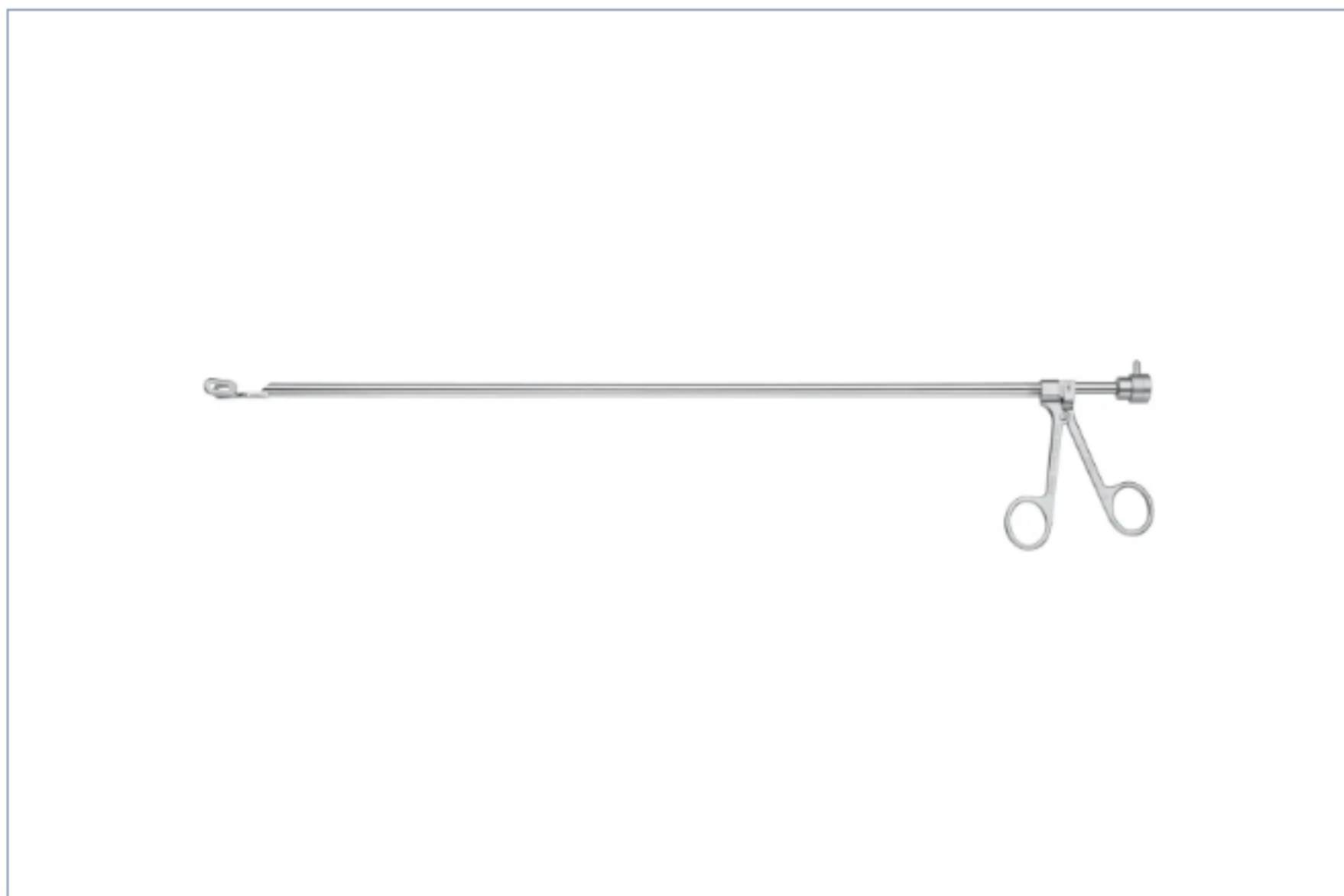
Force-limited handle No

Working length 47 cm

Length 53 cm

For bronchoscope sizes 7,5 - 8,5 mm

[Home page](#) > Online Catalog



Item no: 10350M

Optical Forceps, large jaws, sharp

Quantity:

[Add to My Quote List](#) 📄

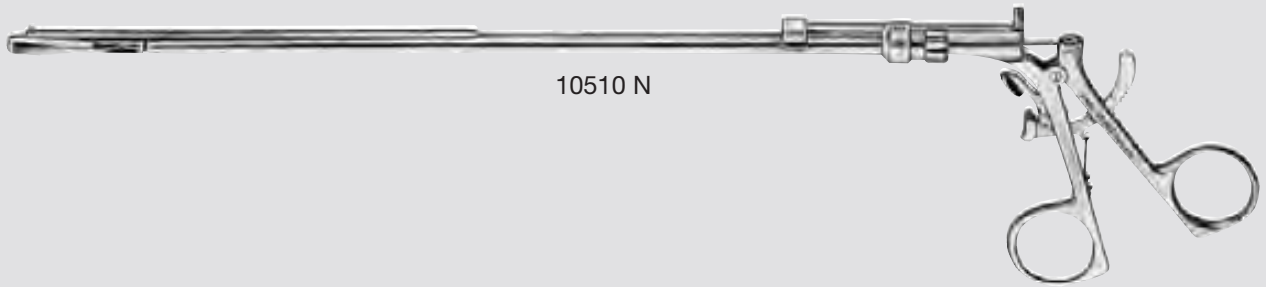
Technical details

Documents & Films

Product group / field of application

Jaw shape	Oval
Jaw surface	Spoon-shaped
Jaw mobility	Double action jaws
Force-limited handle	No
Working length	47 cm
Length	53 cm
For bronchoscope sizes	7,5 - 8,5 mm

FREITAG Stent Forceps



10510 N



10510 N

FREITAG **Stent Forceps**, for the placement of dynamic stents including:

Handle, with ratchet

Outer Sheath

Forceps Insert

Pusher

Forceps and Scissors for Bronchoscopy

Single action jaws



Sheath diameter 2.5 mm, working length 55 cm

- 10366 H **Forceps**, with alligator jaws, width of jaws 3.5 mm, with LUER-Lock irrigation connector for cleaning
- 10366 K **Forceps**, bean jaws, blunt grooved, width of jaws 3.5 mm, with LUER-Lock irrigation connector for cleaning
- 10366 L **Forceps**, round, spoon-shaped, width of jaws 3.5 mm, with LUER-Lock irrigation connector for cleaning
- 10366 U **Forceps**, universal, serrated, width of jaws 3.5 mm, with LUER-Lock irrigation connector for cleaning
- 10366 S **Scissors**, straight, width of jaws 5 mm, with LUER-Lock irrigation connector for cleaning

Sheath diameter 2.5 mm, working length 35 cm

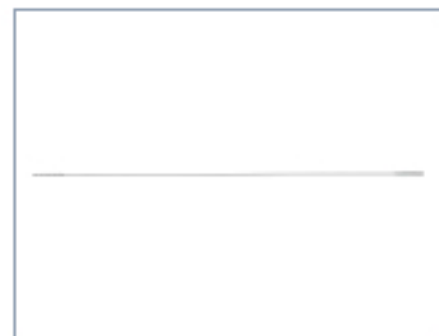
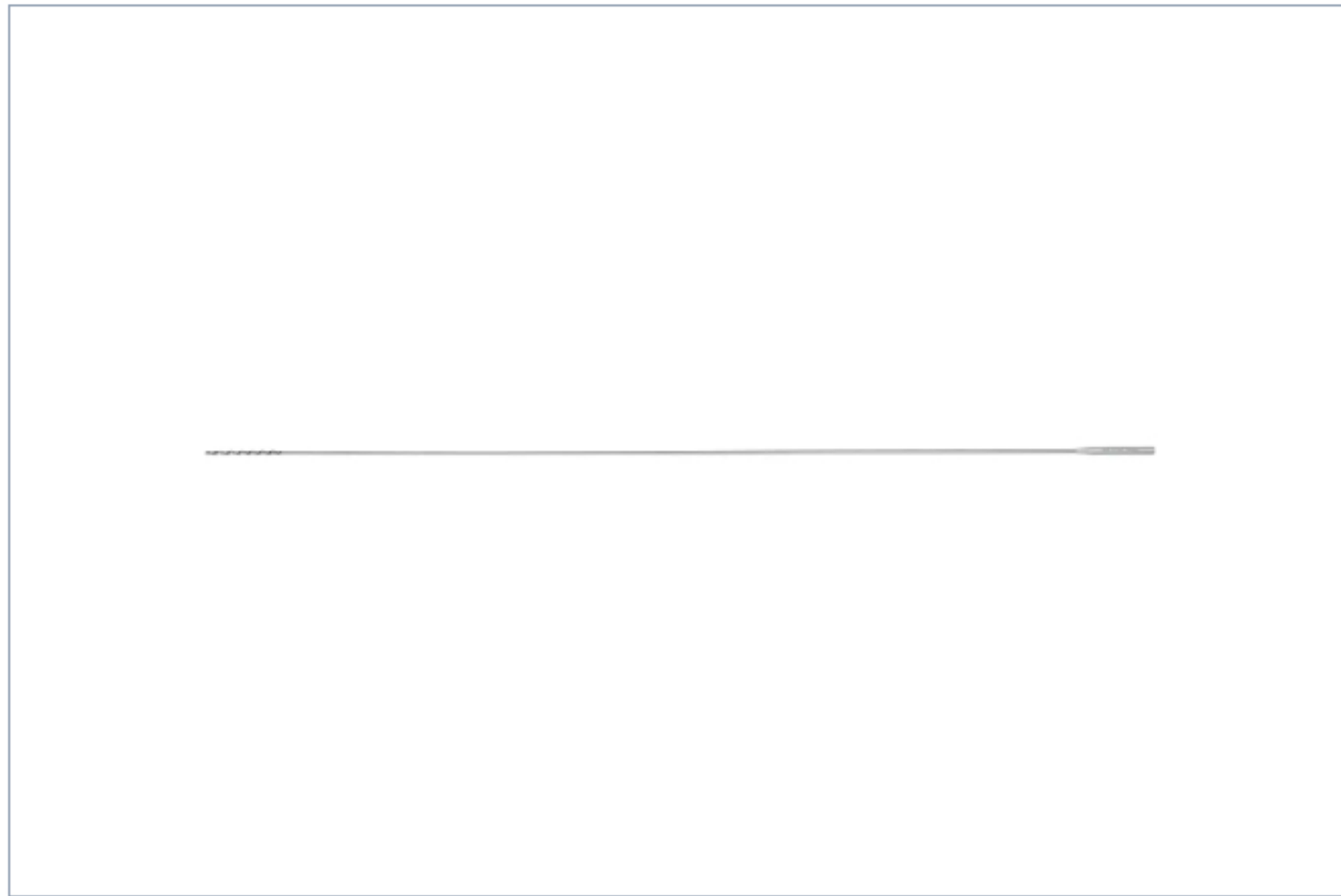
- 10367 H **Forceps**, with alligator jaws, serrated, width of jaws 3.5 mm, with LUER-Lock irrigation connector for cleaning
- 10367 K **Forceps**, bean jaws, blunt grooved, width of jaws 3.5 mm, with LUER-Lock irrigation connector for cleaning
- 10367 L **Forceps**, round, spoon-shaped, width of jaws 3.5 mm, with LUER-Lock irrigation connector for cleaning



10366 H 10366 K 10366 L 10366 U 10366 S
10367 H 10367 K 10367 L

5-043

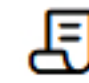
[Home page](#) > Online Catalog



Item no: 10384A

Cotton Carrier, 50 cm

Quantity:

Add to My Quote List 

Technical details

Documents & Films

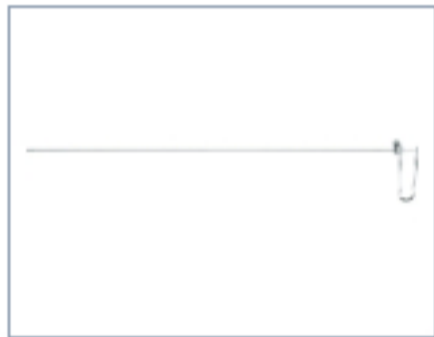
Product group / field of application

Outer diameter

2 mm

Working length

50 cm




Item no: 10387A

Sponge Holder, with spring handle, 50 cm

Quantity:

− 1 +

Add to My Quote List 

Technical details

Documents & Films

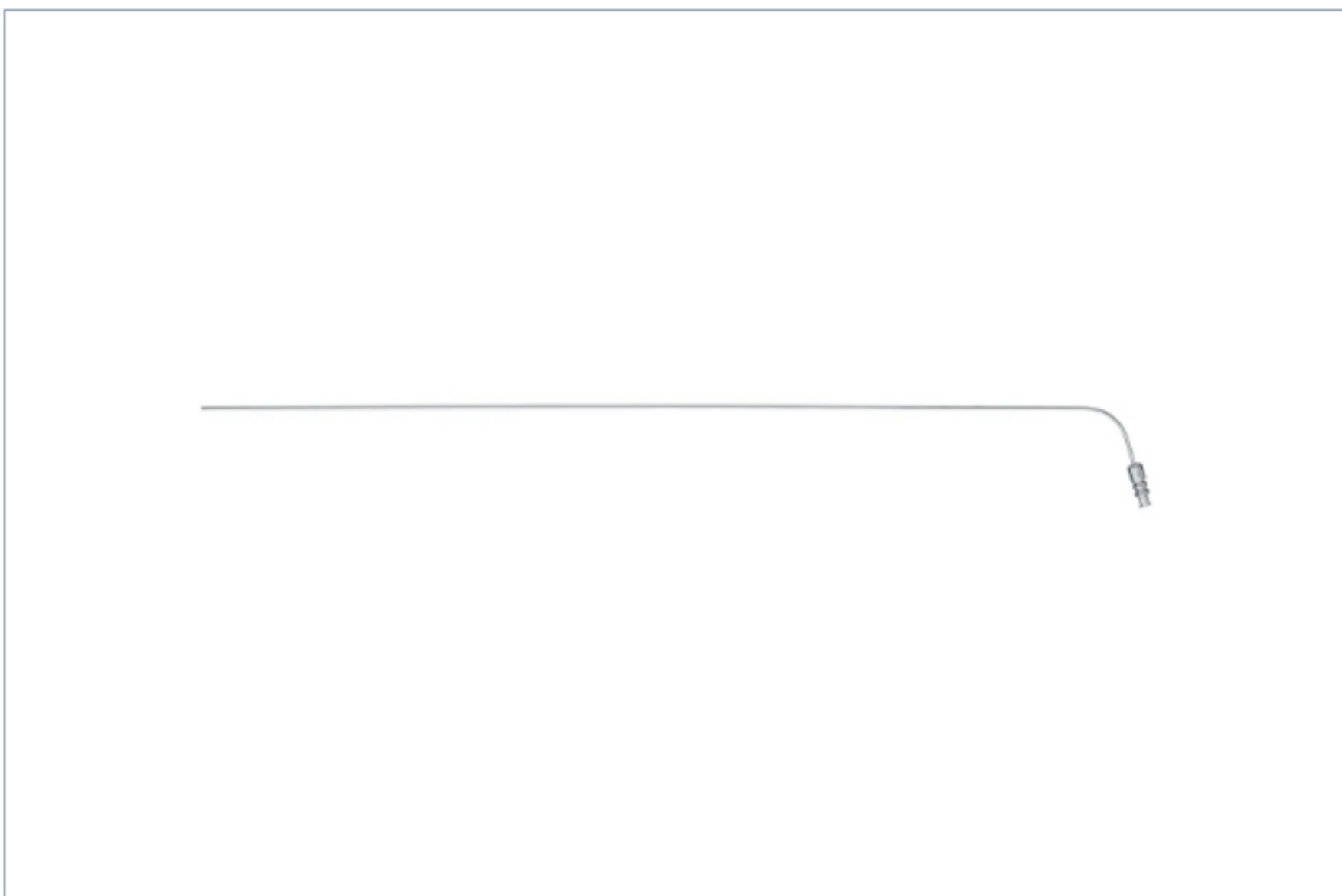
Product group / field of application

Outer diameter 2.5 mm

Working length 50 cm

Handle type Spring-action handle


[Home page](#) > Online Catalog



Item no: 10380D

Suction Tube, 2.5 mm, 50 cm

Quantity:

Add to My Quote List 

Technical details

Documents & Films

Product group / field of application

Working length 50 cm

Outer diameter 2.5 mm

Distal tip Straight

Distal end shape Without rubber tip

Number of poles Without HF

[Home page](#) > [Online Catalog](#)



Item no: 10315N

Rubber Telescope Guide

Quantity:

– 1 +

Add to My Quote List 📄

Technical details

Documents & Films

Product group / field of application

Sealing cap type

With rubber seal

Connection on bronchoscope

Central working channel

Application

For rigid bronchoscopes

[Home page](#) > Online Catalog



Item no: 10315M

Glass Window Plug

Quantity:

[Add to My Quote List](#) 📄

Technical details

Documents & Films

Product group / field of application

Sealing cap type

With window

Connection on bronchoscope

Central working channel

Application

For rigid bronchoscopes

[Home page](#) > Online Catalog



Item no: 10924D

Adaptor, for respirator

Quantity:

− 1 +

Add to My Quote List 📄

Technical details

Documents & Films

Product group / field of application

Connection on
bronchoscope

Ventilation channel

Application

For connecting rigid bronchoscopes to a
respirator

[Home page](#) > Online Catalog



Item no: 10318S

Instrument Guide, for suction catheter

Quantity:

− 1 +

Add to My Quote List 📄

Technical details

Documents & Films

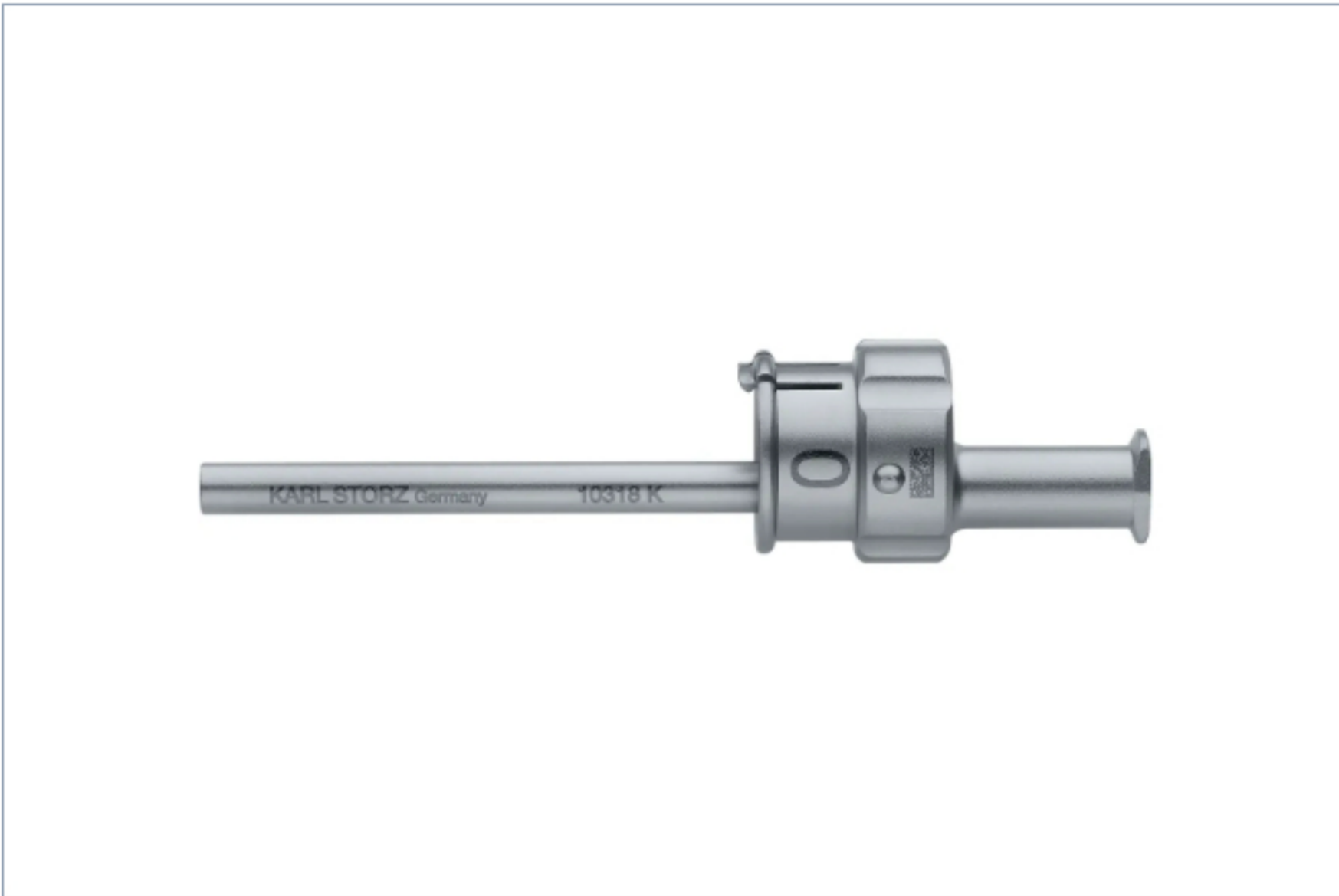
Product group / field of application

Connection on bronchoscope

Jet channel

Application

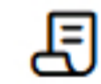
For rigid bronchoscopes



Item no: 10318K

Injection Cannula, outer diameter 3.5 mm

Quantity:

Add to My Quote List 

Technical details

Documents & Films

Product group / field of application

Connection on bronchoscope

Jet channel

Application

For rigid bronchoscopes, for positive pressure assisted ventilation

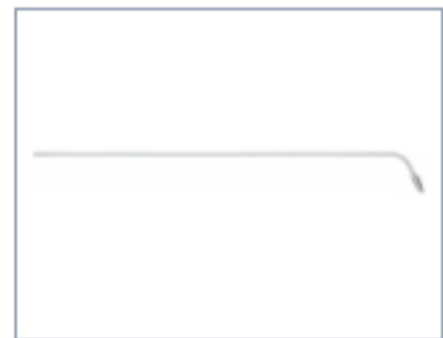
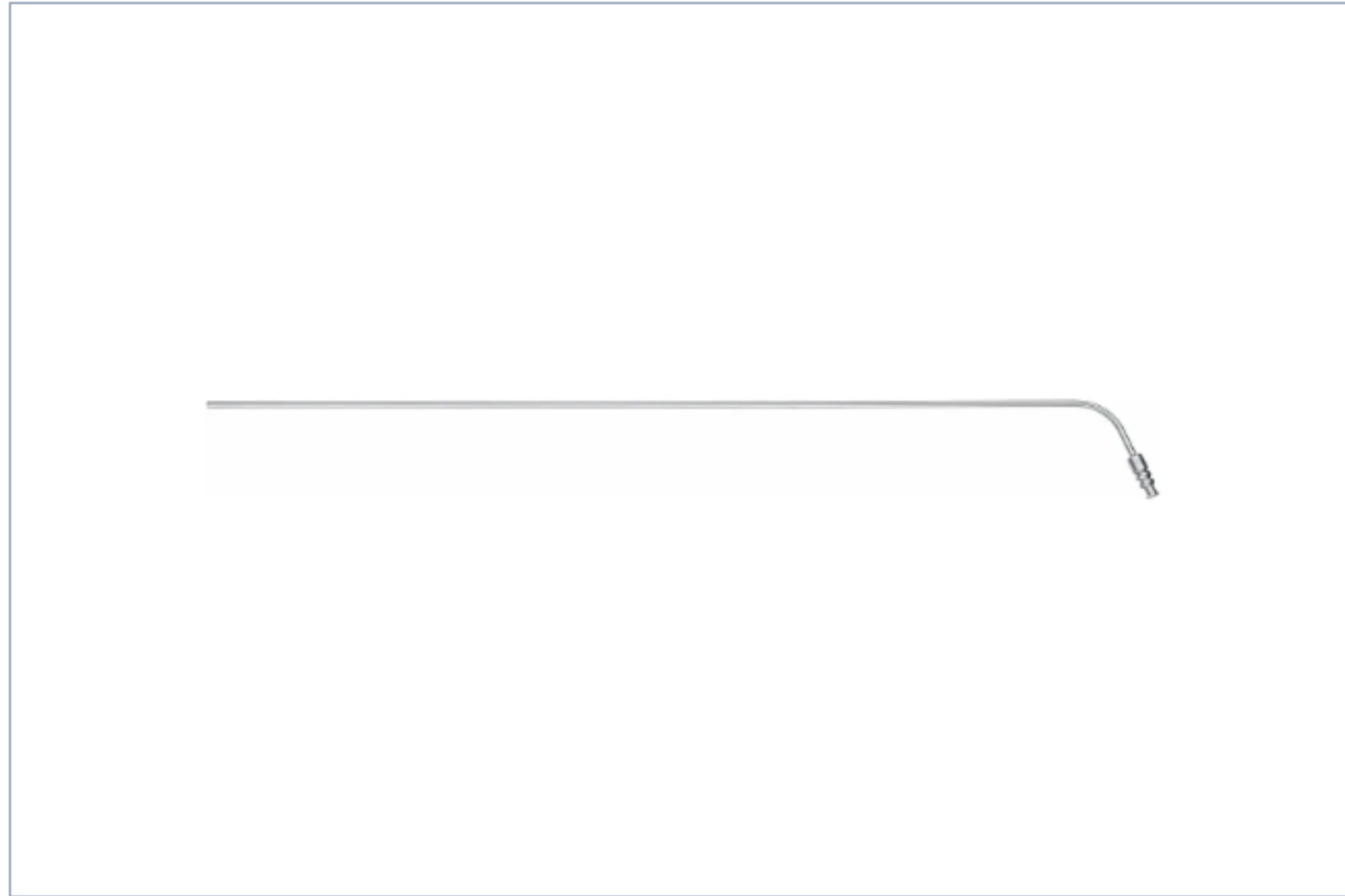
LUER-Lock

Yes

Outer diameter

3.5 mm

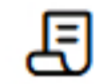
[Home page](#) › [Online Catalog](#)



Item no: 10380A

Suction Tube, working length 50 cm

Quantity:

[Add to My Quote List](#) 

Technical details

Documents & Films

Product group / field of application

Working length 50 cm

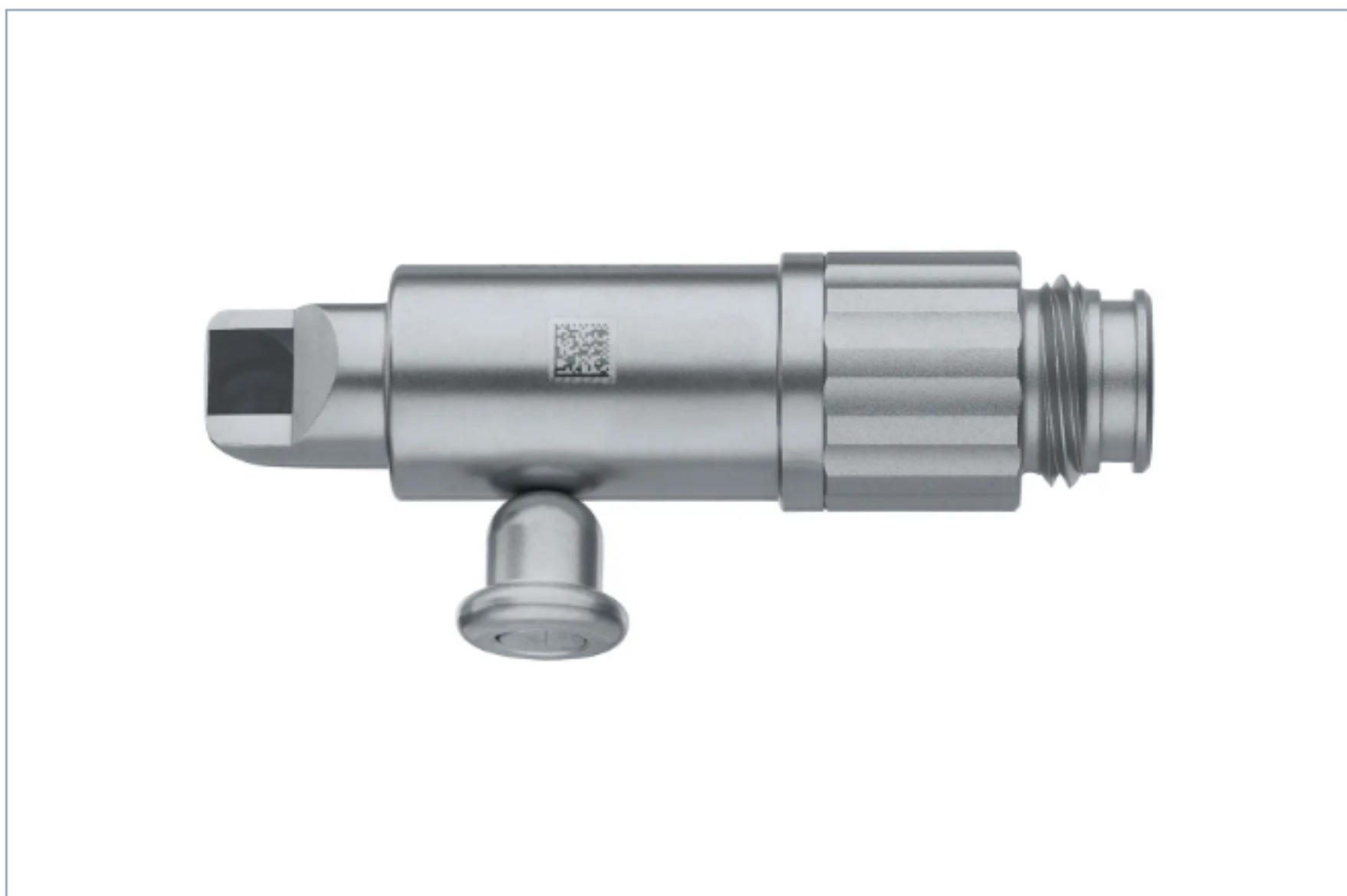
Outer diameter 4 mm

Distal tip Straight

Distal end shape Without rubber tip

Number of poles Without HF

[Home page](#) > [Online Catalog](#)

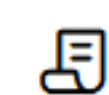


Item no: 10101FA

Prismatic Light Deflector

Quantity:

− 1 +

Add to My Quote List 

Product details

For proximal illumination

Technical details

Documents & Films

Product group / field of application

Connection on bronchoscope

Illumination channel

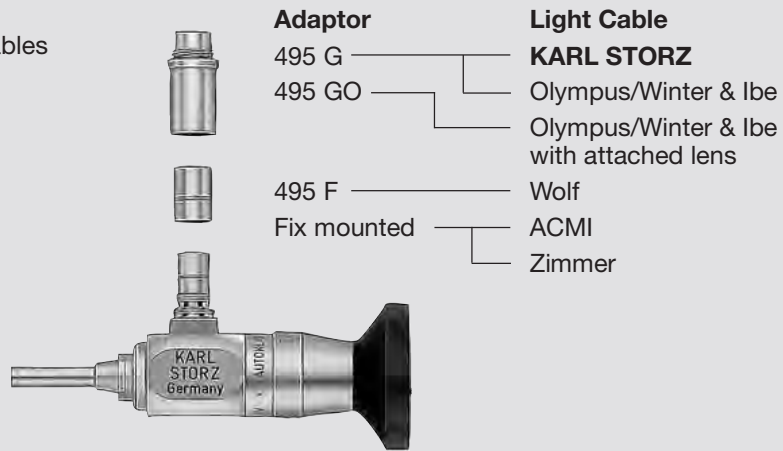
Application

For rigid bronchoscopes

Adaptors

for Light Sources and Light Cables

HOPKINS® Telescopes with universal connector for light cables



Manufacturer	I = Instrument CF = Cold Light Fountain LC = Light Cable	KARL STORZ				Special Applications
		Light Cable	Cold Light Fountain	Former Instrument	Current Instrument	
ACMI	I	495 W	-	-	-	ACMI connector to ACMI connector 495 Y
	CF	495 PA	-	-	-	
	LC	-	495 C	-	-	
Downs	CF	495 PA	-	-	-	Olympus Techno Fountain for KARL STORZ Cable 81495 OT, Olympus Light Cable for KARL STORZ Techno Fountain 81450/81495 OL
Dyonics	CF	495 Q	-	-	-	
Effner	CF	495 Q	-	-	-	
Fuji	CF	495 FU	-	-	-	
KLI	LC	-	495 C	-	-	
	CF	495 PA	-	-	-	
Machida	CF	495 SM	-	-	-	
Olympus	CF	495 SON	-	-	-	
	LC	-	495 D	-	-	
Pentax	CF	495 T	-	-	-	
	LC	-	495 D	-	-	
HSW	CF	495 Q	-	-	-	
	LC	-	495 E	495 N	495 N	
Stryker	I	495 ST	-	-	-	
	CF	495 PA	-	-	-	
Richard Wolf	I	495 X	-	-	-	
	CF	495 Q	-	-	-	
	LC	-	495 E	495 M	-	
Olympus/ Winter & Ibe	CF	495 S	-	-	-	495 S: The use of KARL STORZ fiberscopes with integrated fiber optic light cable and KARL STORZ light cables with non-graduated distal connection (diameter 7 mm) requires an additional adaptor 495 PWS to adaptor 495 S
	LC with attached lens	-	-	495 GO	495 GO	

LIGHT SOURCES