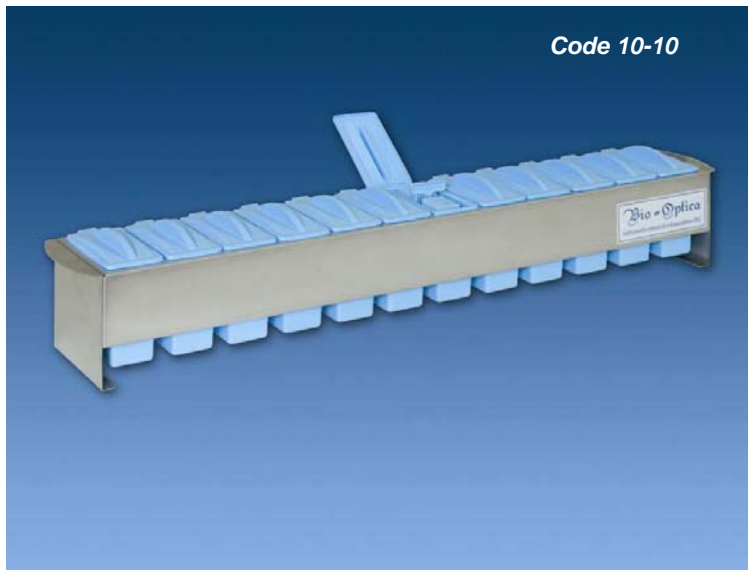


Slide staining set

IVD In vitro diagnostic medical device
CND code: W05039099

General features

Easy and economical system for histological and cytological staining.



Manufactured and distributed by
Bio-Optica Milano S.p.A.

Code	Description	Dimensions
10-10	Set for histology and cytology with 12 dishes	73,50 cm x 12,50 cm
10-20	Set for haematology with 3 dishes	22,50 cm x 12,50 cm

Technical features

The sets are made with a stainless steel structure for 3 or 12 dishes. This structure is resistant against acids and solvents and can easily be washed. The design is light constructed so you can move it with two hands.

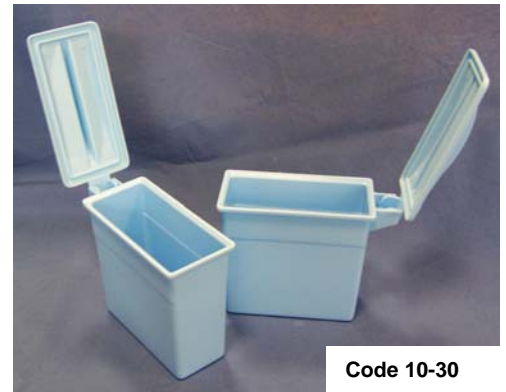
The set includes the metal holder, the dishes (300 ml capacity each) with attached lids (code 10-30) and a slide staining holder with plastic handle for 25 slides (code 10-42).

For the characteristics of the product, particular measures for storage and handling are not necessary.

Staining dish

Made in PET (polyethylene terephthalate) stiffened with glass fibres; they are resistant against solvents, especially those used in the histology laboratory (i.e. Toluene, Xylene, Bio-Clear, etc.) They resist to temperature between 0°C and +170°C, so they can be used also with immunohistochemistry procedures.

Dishes (capacity 300 ml) are available with attached lid, blue coloured, packed in box of 12 pieces.



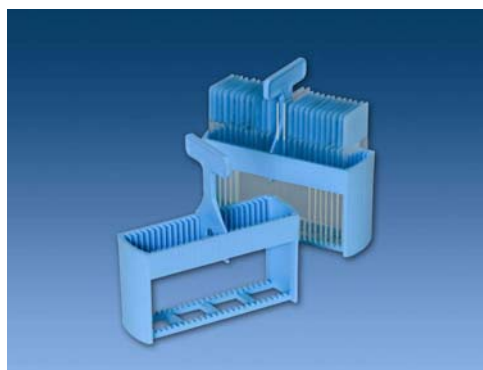
Code	Description
10-30	Staining dish with attached lid

PET (with glass fibres) dishes are also available (code 10-33), packed in box of 12 pieces, with separated cover (for metal holder 10-09 old model). Also these dishes resist to more aggressive solvents (for example, xylene) and to high temperature (0°/+170°C), so you can also use them for dewaxing and antigen retrieval with water bath or microwave oven.

Slide staining holder

For 25 slides, made in PET with plastic handle (PET), resistant to acids, solvents and high temperatures. The handle is specially shaken to grab better (see photo) and allow the complete closure of the dish during the use, avoiding the reagent's evaporation.

The packaging is of 6 pieces.



Code	Description
10-42	Holder – plastic (PET) handle

General properties of PET

PET (polyethilenterephthalate) with glass fibers

It is polyester, it is a thermo plastic resin, used for its properties: electrical, chemical resistance, performances to high temperatures, molding's quickness. Furthermore, the addition of glass fibers increases the material resistance. It withstands repeated autoclaving, even at 150°C.

PET chimica resistance

Substances	PET
Acetone	++
Formic acid 85%	+
Ammonia 25%	++
Benzene	+++
Butyl acetate	++
Dibutyl phthalate	++
Acetic acid glacial	+
Formaldehyde	++
Hexane	+++
Potassium permanganate (aq. sol.)	+++
Sodium carbonate	+++
Sodium dichromate	+++
Phosphoric acid	++
Nitric acid 50%	++
Hydrochloric acid	++
Sulphuric acid	++
Toluene	+++
Hydrogen peroxide 30%	-
Xylene	+++

Legend:

- +++ Resistant
- ++ Virtually resistant
- + Resistant with exception
- Marginal resistance
- No resistance; exposure can lead to deformation