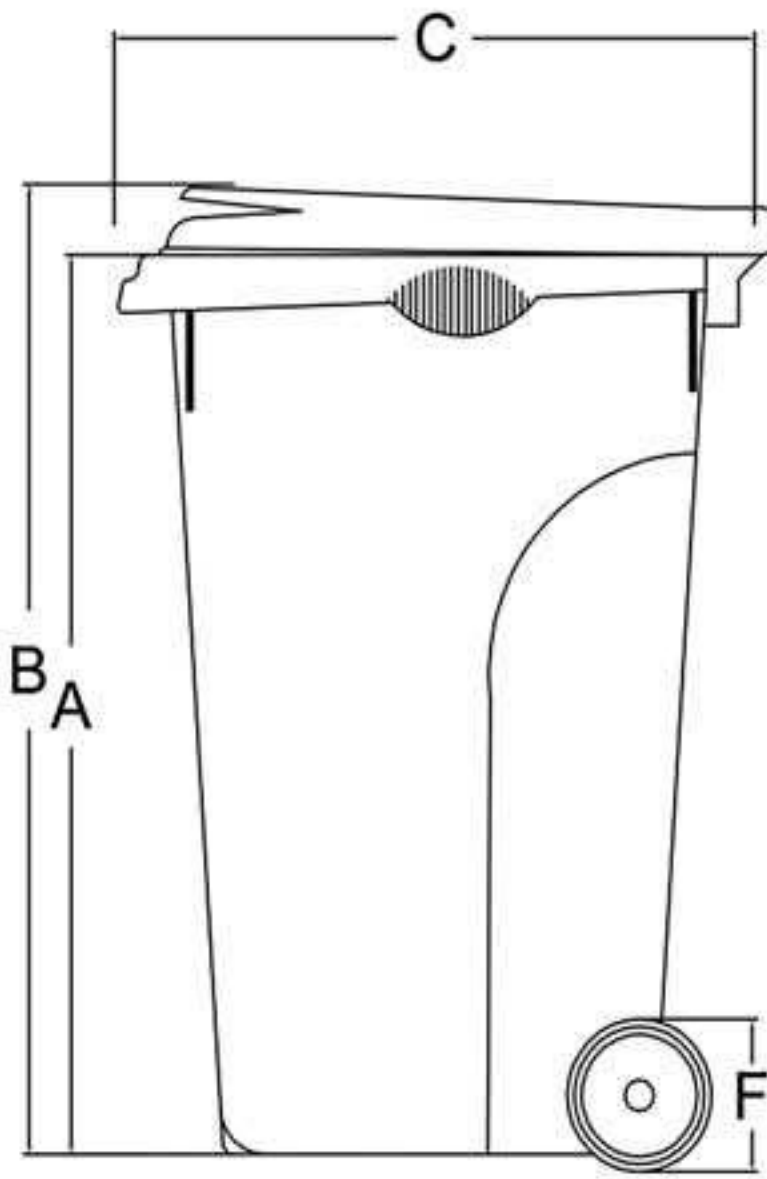
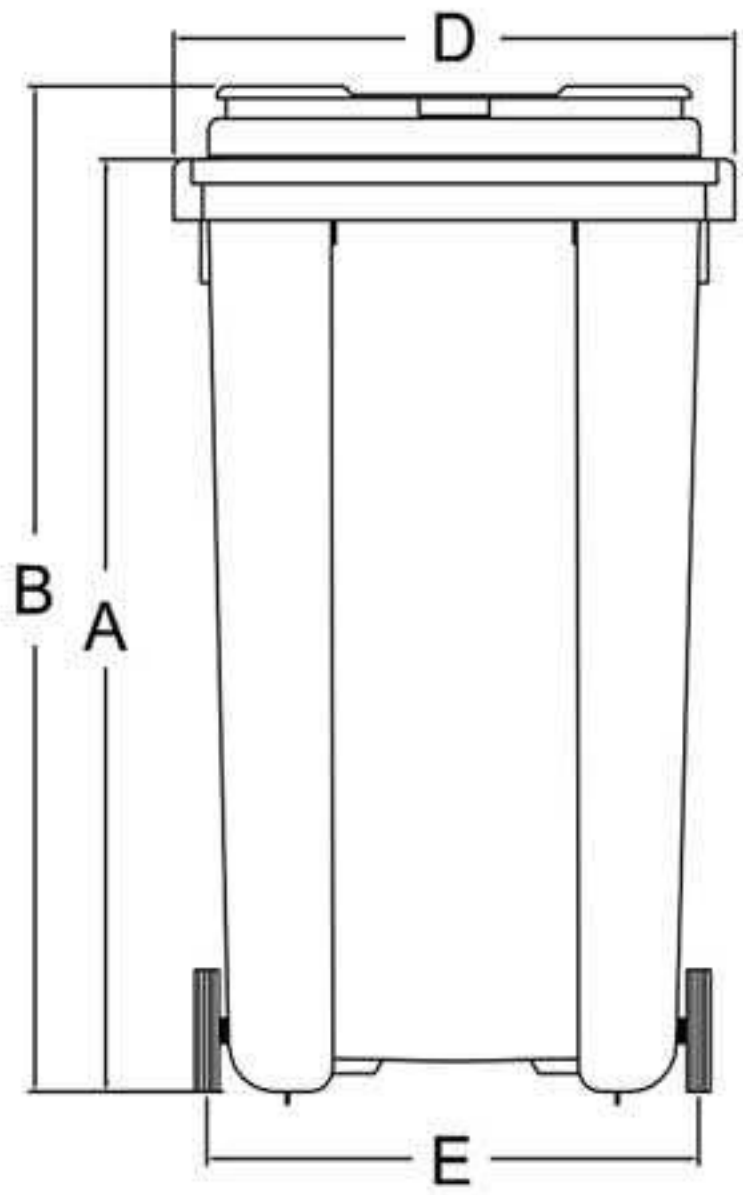


Plastic Waste Bin 120 Ltrs

- Flat Lid
- 2 Rubber Wheels
- Hollow Galvanized Metal Axle
- Special Place for Microchip
- Recyclable waste for public place
- Recyclable waste for household
- Easy handling to carry around
- Smooth lid for opening & closing

- Customization:
- Hot Stamp Logo on Body
 - Silk Screen Logo on Body
 - Embossed Logo on Lid
 - Numbering Sequence
 - Traffic Stickers
 - Foot Pedal
 - Standard RAL Colors

Complies with	EN840:2012 (1 to 6)
Article Code	PRR120
Material	HDPE Inj. Grade + UV Stabilizer
Volume	120 Liters
Net Weight	8.800 Kgs (±3%)
Payload	50 Kgs
20'DC/ 40'HC/ Truck Capacity	550/ 1230 / 1375 Pcs



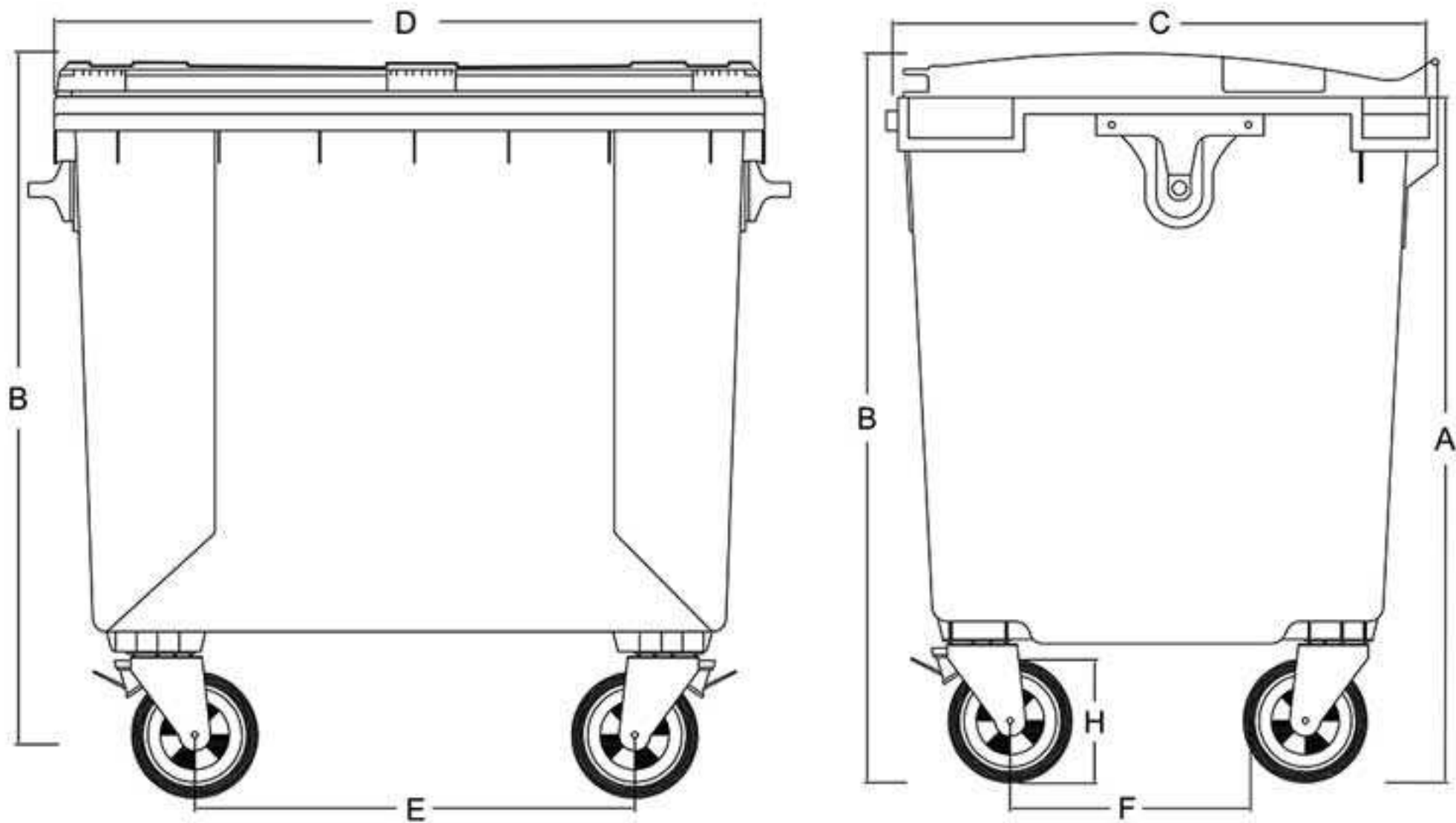
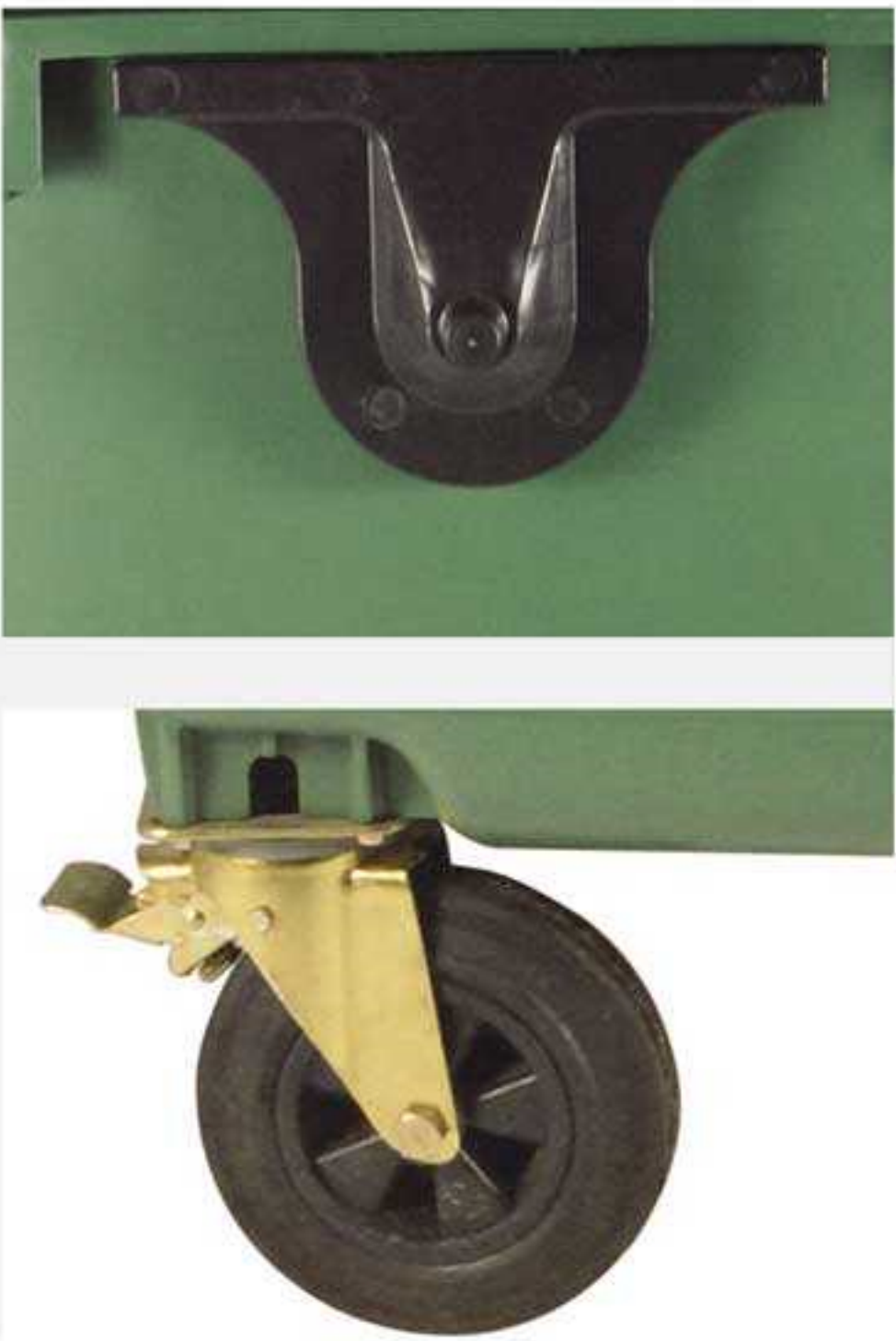
- A: 890 mm
- B: 950 mm
- C: 540 mm
- D: 480 mm
- E: 460 mm
- F: 200 mm

Plastic Waste Bin 1100 Ltrs

- Flat Lid
- 2 Trunnions
- 2 Front Rubber Casters with Brake
- 2 Back Rubber Casters without Brake
- Special Place for Microchip
- Recyclable waste for public place
- Easy handling to carry around
- Smooth lid for opening & closing

- Customization:
- Hot Stamp Logo on Body
 - Silk Screen Logo on Body
 - Embossed Logo on Lid
 - Numbering Sequence
 - Traffic Stickers
 - Foot Pedal
 - Standard RAL Colors

Complies with	EN840:2012 (1 to 6)
Article Code	PRR1100
Material	HDPE Inj. Grade + UV Stabilizer
Volume	1100 Liters
Net Weight	51.00 Kgs (±3%)
Payload	520 Kgs
20'DC/ 40'HC/ Truck Capacity	55 / 124 / 138 Pcs



- A: 1200 mm
- B: 1300 mm
- C: 1030 mm
- D: 1200 mm
- E: 835 mm
- F: 800 mm
- H: 200 mm