

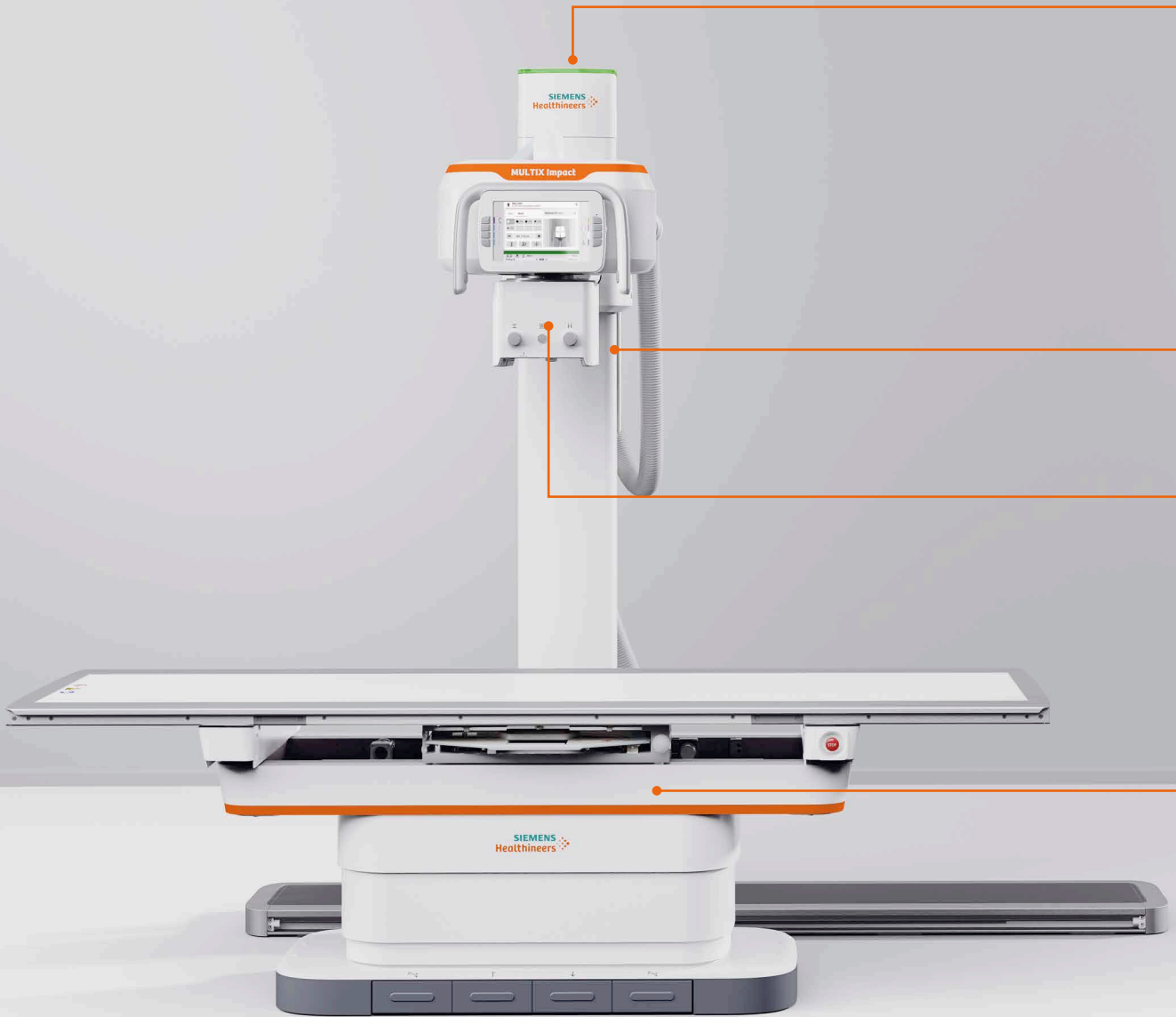
**Datasheet**

# MULTIX Impact

Strengthen your Image

[siemens-healthineers.com/multix-impact](https://siemens-healthineers.com/multix-impact)



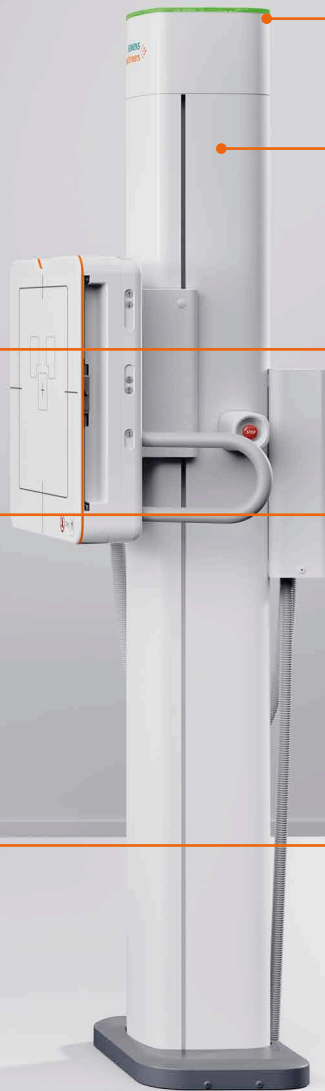


**Hybrid Image Documentation<sup>1)</sup>**  
 Photographic live image of the patient for an optional diagnostic reference



**SmartMove<sup>1)</sup>**  
 Virtually unlimited positions can be used for table and Bucky wall stand<sup>1)</sup> examinations

# Technical specifications: MULTIX Impact



**Impact Illuminate<sup>1)</sup>**  
Indicates the system status

**Bucky wall stand (BWS)**

- Automatic detector tracking (BWS mode)<sup>1)</sup>
- Vertical travel range: up to 143.5 cm (56.5")
- Low central beam height: 31.5 cm (12.4")
- Fixed detector Core static<sup>1)</sup>

**Floor-mounted tube**

- Motorized collimator<sup>1)</sup>
- SmartMove<sup>1)</sup>
- 10" touch user interface

**myExam 3D Camera<sup>1)</sup>**

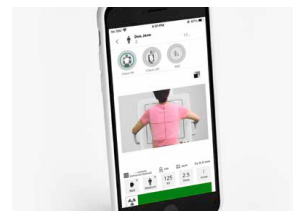
- Virtual Collimation<sup>1)</sup>
- Smart Virtual Ortho<sup>1)</sup>
- Auto Thorax Collimation<sup>1)</sup>
- Auto Long-Leg and Full-Spine Collimation<sup>1)</sup> for standing examinations at the BWS
- Auto TOD Measurement<sup>1)</sup>
- Live camera image

**Table<sup>1)</sup>**

- Automatic tube tracking (table mode)<sup>1)</sup>
- Adjustable height<sup>1)</sup>: from 51.5 to 90 cm (20.3" to 35.4")
- High weight capacity: 300 kg (661 lbs)
- Comfortable patient positioning on flat tabletop

**Wireless detectors**

- MAX wi-D<sup>1)</sup> (35 cm x 43 cm/ 14" x 17") with detector sharing
- Core XL (43 cm x 43 cm/ 17" x 17")



**Smart Remote Control<sup>1)</sup>**

- Access major imaging system functions on the go
- Live-stream of patient status

<sup>1)</sup> Option

# Table of contents

<b>System specifications</b>		<b>Accessories</b>	
Patient table	5	Accessories	17
Bucky wall stand	6		
Column stand	6	<b>System configuration</b>	
Generator	6	System solutions	18
X-ray tube	7		
Additional applications	7	<b>Room planning</b>	
Collimator	7	Installation data	20
Touchscreen user interface	8	Environmental conditions (operation)	20
Digital detectors	8	Weight	20
Anti-scatter grid	8	Dimensions in mm	21
MAX wi-D	9	Room examples	22
Core XL	10		
Core static	11		
Imaging system hardware	12		
Display	12		
<b>Clinical workflow</b>			
Patient data administration	13		
Examination preparation	13		
CARE Program	14		
Image acquisition/display/processing	14		
Data transfer and documentation	15		
Smart Remote Services	16		
Emergency power supply	16		
Cyber Security	16		

# System specifications

## Patient table

The table can be equipped with a MAX wi-D or a Core XL.

Tabletop width	80 cm (31.5")
Tabletop length	Standard tabletop: 233 cm (91.7") Short tabletop <sup>1)</sup> : 213 cm (83.9")
Tabletop height	Elevating table <sup>1)</sup> : 51.5 cm to 90.0 cm (20.3" to 35.4"); total lift 38.5 cm (15.2") (tabletop) Fixed table: 70 cm (27.6")
X-ray absorption	≤ 0.7 mm Al (at 100 kV/3.6 mm Al HVL; IEC 60601-2-54)
Tabletop travel	Longitudinal: Standard tabletop ± 44 cm (17.3") Short tabletop <sup>1)</sup> : ± 34 cm (13.4") Transverse: ± 14 cm (5.5")
Tabletop material	Composite material
Max. patient weight	300 kg (661 lbs)
Longitudinal detector cover range (edge to edge)	≥ 100 cm (39.4")
Max. patient coverage (without patient repositioning)	Approx. 190 cm (74.8") with standard tabletop
Tabletop – detector distance	≤ 73 mm (2.9")
Front kick switches	Table control switches for table height <sup>1)</sup> and tabletop float adjustments
Auto tracking for table height adjustment <sup>1)</sup>	Yes, X-ray tube follows table height adjustment; source-image distance is maintained
Auto tracking for longitudinal tube travel <sup>1)</sup>	Yes, detector follows tube movement; centering maintained
Auto tracking for tube rotation <sup>1)</sup>	Yes, detector follows tube rotation; centering maintained

<sup>1)</sup> Option

# System specifications

## Bucky wall stand

The Bucky wall stand can be equipped with a MAX wi-D, Core XL, or a Core static.

Travel range (central beam – floor)	From 31.5 cm to 175 cm (12.4" to 68.9"), manual or motorized
Detector cover – detector distance	MAX wi-D: ≤ 42 mm (1.7") Core XL: ≤ 42 mm (1.7") Core static: ≤ 45 mm (1.8")
X-ray absorption	≤ 0.6 mm Al (at 100 kV/3.6 mm Al HVL; IEC 60601-2-54)
Auto tracking of X-ray tube and detector during height adjustments, detector in 0° position	Yes
Automatic exposure control	Yes

## Column stand

Longitudinal travel range	Long rail: 231 cm (90.9") Medium rail: 152 cm (59.8") Short rail: 66 cm (26.0")
Vertical travel range	147 cm (57.9"), manual 145 cm (57.1"), motorized
Speed in x-axis	Up to max. 0.16 m/s (6.3"/s)
Lowest central beam height	33 cm (13.0"), manual 35 cm (13.8"), motorized
Speed in z-axis	Up to max. 0.15 m/s (5.9"/s)
Max. source-image distance (SID) at table	Elevating table <sup>1)</sup> : 135 cm (53.1") Fixed table: 115 cm (45.3")
Column stand rotation	± 180°, detents 0°, ± 90°, + 180°
X-ray tube rotation range	± 140°, detents at 0°, ± 90°
Rotation speed around the horizontal axis	Max. 20°/s
Tracking for horizontal tube travel <sup>1)</sup>	Yes
Oblique tracking <sup>1)</sup>	Yes

## Generator

### Generator

Output	55 kW (550 mA at 100 kV)(Upgrade kit to 65 kW <sup>1)</sup> 65 kW (650 mA at 100 kV) 80 kW (800 mA at 100 kV)
Exposure voltage	40 kV to 150 kV
Generator frequency	≥ 100 kHz
mAs range	0.5 mAs to 800 mAs for 55 kW/65 kW 0.5 mAs to 1,000 mAs for 80 kW
Max. tube current and voltage	55 kW: 68 kV at 800 mA 65 kW: 81 kV at 800 mA 80 kW: 80 kV at 1,000 mA

<sup>1)</sup> Option

# System specifications

## X-ray tube

### RAY-14S\_3F

Max. exposure voltage (IEC 60613)	150 kV
Focal spot nominal value (IEC 60336)	0,6                      1.2
Radiographic anode input power (IEC 60613)	34 kW                      80 kW <sup>1)</sup>
Optical anode angle (IEC 60788)	12°
Anode heat dissipation rate	72,000 J/min. (97,000 HU/min.)
Anode heat storage capacity	260,000 J (350,000 HU)
Max. heat storage capacity of the tube housing	1,000,000 J (1,350,000 HU)
Anode drive	150/180 Hz (9,000/10,800 rpm)
Leakage radiation (IEC 60601-1-3) (at 150 kV at 1 m (39.4") distance)	≤ 0.8 mGy/h
Total filtration (IEC 60601-1-3)	≥ 2.5 mm Al/75 kV
Weight	18 kg (40 lbs)

## Additional applications

SmartOrtho <sup>1)</sup>	Yes, on Bucky wall stand <sup>2)</sup> and table
Smart Virtual Ortho <sup>1)</sup>	Yes, on Bucky wall stand <sup>2)</sup> and table
Auto Long-Leg/Full-Spine Collimation <sup>1)</sup>	Yes, on Bucky wall stand <sup>2)</sup>
Automatic exposures possible on imaging system	
SmartOrtho/Smart Virtual Ortho possible on table (up to 3 images) and Bucky wall stand (up to 4 images)	

## Collimator

### Collimator

Inherent filtration	Collimator AL04 II-D/ML03: 1 mm Al at 70 kV Collimator RFU: 1 mm Al at 75 kV
Full-field light localizer	Very efficient high power LED technology <sup>1)</sup> ; high energy efficiency enabling low-noise design without external cooling system <sup>1)</sup> ; Long lifetime approx. 100,000 h <sup>1)</sup> ; timer functionality; laser line light localizer (coverable)
Copper prefilter	Without filter, 0.1 mm, 0.2 mm, 0.3 mm; manual or motorized <sup>1)</sup>
Rotation	± 45° manually
Collimation control	Manual or motorized <sup>1)</sup> (preset via organ programs)

<sup>1)</sup> Option

<sup>2)</sup> Ortho stand required

# System specifications

## Touchscreen user interface

Size	10.1 inches
Resolution	1280 x 800 pixels
Function	Exposure control (generator data) Mechanic movement control (manual/automatic) Patient information Organ program selection

## Digital detectors

A total of three different detectors are available: MAX wi-D, Core XL, and Core static.

MAX wi-D as well as Core XL can be used in the table, Bucky wall stand, and for free exposures

Detector configurations	Motorized Bucky wall stand with Core XL Motorized Bucky wall stand and fixed patient table with Core XL Motorized Bucky wall stand with Core static and fixed patient table with Core XL Motorized Bucky wall stand and elevating patient table with Core XL or MAX wi-D Motorized Bucky wall stand with Core static and elevating patient table with Core XL or MAX wi-D Manual Bucky wall stand and fixed patient table with Core XL
MAXcharge	Charging in the detector tray for MAX wi-D
Charge in tray	Charging in the detector tray for Core XL
Detector sharing	Detector sharing is the right way to share, allowing you to swap the MAX wi-D between multiple systems so you always have the right detector when and where you need it <sup>2)</sup>

## Anti-scatter grid<sup>1)</sup>

Grid for patient table	Stationary grid, Pb 13/92, $f_0 = 115$ cm (45.3"); Stationary grid, Pb 13/40, $f_0 = 115$ cm (45.3"); Pb with aluminum interspacing
Grids for Bucky wall stand	Universal grid, Pb 13/92, from $f_0 = 115$ cm (45.3") to $f_0 = 180$ cm (70.9"); Stationary grid, Pb 13/92, $f_0 = 115$ cm (45.3"), $f_0 = 180$ cm (70.9") and $f_0 = 300$ cm (118.1") Universal grid, Pb 13/40, from $f_0 = 115$ cm (45.3") to $f_0 = 180$ cm (70.9"); Stationary grid, Pb 13/40, $f_0 = 115$ cm (45.3") and $f_0 = 180$ cm (70.9"); Pb with aluminum interspacing
Clip-on grids for MAX wi-D	Grid, Pb 5/85, $f_0 = 115$ cm (45.3"); Pb with aluminum interspacing Grid, Pb 15/80, $f_0 = 115$ cm (45.3"); Pb with paper interspacing
Clip-on grid for Core XL	Grid, Pb 5/85, $f_0 = 115$ cm (45.3"); Pb with aluminum interspacing

<sup>1)</sup> Option

<sup>2)</sup> System configuration dependent



# System specifications

MAX wi-D	
Detector technology	Cesium iodide scintillator coupled to TFT matrix with amorphous silicon technology
Dimensions (active area)	34.8 cm x 42.4 cm (14" x 17") Can be inserted in the detector tray in landscape and portrait format
Active detector matrix	2,350 x 2,866
Dimensions with detector housing	44.0 cm x 46.1 cm x 1.9 cm (17.3" x 18.1" x 0.7")
Pixel size	148 µm
Semiconductor material	Amorphous silicon (a-Si)
Scintillator	Cesium iodide (CsI)
Digitization depth	16 bits
Spatial resolution	3.4 lp/mm
DQE in %; 2 µGy (RQA5) (IEC 62220)	70 % at 0.05 lp/mm 51 % at 1 lp/mm 42 % at 2 lp/mm 29 % at 3 lp/mm 19 % at Nyquist
MTF in % (RQA5) (IEC 62220)	63 % at 1 lp/mm 35 % at 2 lp/mm 19 % at 3 lp/mm 12 % at Nyquist
Data transmission	WLAN <sup>2)</sup> < 2 s preview; < 4 s full image
Thickness	19 mm
Weight	3.3 kg (7 lbs)
Max. load capacity	300 kg (661 lbs ) with patient recumbent <sup>3)</sup> 100 kg (220 lbs) with patient standing
Battery	Lithium-ion, rechargeable, exchangeable
Charging time	3 h
Battery operation time	Up to 1,050 images Up to 6.5 hours during regular utilization
Charging location	Table detector tray, Bucky wall stand detector tray and battery charger <sup>1)</sup>
WLAN Standard	IEEE 802.11b/g/n, 2 x 2 mimo, WPA2/AES Encryption, EAP/TLS support
If there is a WLAN or other wireless equipment in your working environment, please consult your Siemens Healthineers representative for optimal set-up of the wireless connection	
IEC Regulations	Electromagnetic compatibility: compliance with IEC 60601-1-2
Detector sharing	Safe, quick and easy one-click registration to swap wireless detectors between multiple systems of the MAX family and MULTIX Impact systems with the same detector type

<sup>1)</sup> Option

<sup>2)</sup> The preview/full image transmission time depends on the quality of the WiFi link and the selected processing parameters

<sup>3)</sup> 300 kg is only for functional availability rather than full performance

# System specifications

## Core XL

Detector technology	Cesium iodide scintillator coupled to TFT matrix with amorphous silicon technology
Dimensions (active area)	42.6 cm x 42.6 cm (17" x 17")
Active detector matrix	3,070 x 3,070
Dimensions with detector housing	46.1 cm x 46.1 cm x 1.57 cm (18.1" x 18.1" x 0.6")
Pixel size	139 µm
Semiconductor material	Amorphous silicon (a-Si)
Scintillator	Cesium iodide (CsI)
Digitization depth	16 bits
Spatial resolution (Nyquist frequency)	3.6 lp/mm
DQE in %; 2 µGy (RQA5) (IEC 62220)	80 % at 0.05 lp/mm 65 % at 1 lp/mm 53 % at 2 lp/mm 34 % at 3 lp/mm 21 % at Nyquist
MTF in % (RQA5) (IEC 62220)	64 % at 1 lp/mm 34 % at 2 lp/mm 18 % at 3 lp/mm 13 % at Nyquist
Data transmission	WLAN <sup>2)</sup> < 3 s preview; < 7 s full image
Thickness	15.7 mm
Weight	4.2 kg (9 lbs)
Max. load capacity	150 kg (331 lbs) with patient recumbent 100 kg (220 lbs) with patient standing
Battery	Lithium-ion, rechargeable, exchangeable
Charging time	4 h
Battery operation time	Up to 950 images Up to 7.5 hours during regular utilization
Charging location	Table detector tray, Bucky wall stand detector tray and battery charger <sup>1)</sup>
WLAN Standard	IEEE 802.11b/g/n, 2 x 2 mimo, WPA2/AES Encryption, EAP/TLS support
If there is a WLAN or other wireless equipment in your working environment, please consult your Siemens Healthineers representative for optimal set-up of the wireless connection	
IEC Regulations	Electromagnetic compatibility: compliance with IEC 60601-1-2

<sup>1)</sup> Option

<sup>2)</sup> The preview/full image transmission time depends on the quality of the WiFi link and the selected processing parameters

# System specifications

## Core static

Detector technology	Cesium iodide scintillator coupled to TFT matrix with amorphous silicon technology
Dimensions (active area)	42.6 cm x 42.6 cm (17" x 17")
Active detector matrix	3,070 x 3,070
Pixel size	139 $\mu\text{m}$
Semiconductor material	Amorphous silicon (a-Si)
Scintillator	Cesium iodide (CsI)
Digitization depth	16 bits
Spatial resolution (Nyquist frequency)	3.6 lp/mm
DQE in %; 2 $\mu\text{Gy}$ (RQA5) (IEC 62220)	80% at 0.05 lp/mm 65% at 1 lp/mm 53% at 2 lp/mm 34% at 3 lp/mm 21% at Nyquist
MTF in % (RQA5) (IEC 62220)	64% at 1 lp/mm 34% at 2 lp/mm 18% at 3 lp/mm 13% at Nyquist
Data transmission	< 3 s preview; < 5 s full image

<sup>1)</sup> Option

# System specifications

## Imaging system hardware

The imaging system is specially designed for diagnostic radiology and delivers excellent image quality with a fast and seamless workflow.

Digital radiography system with DICOM network connection for image processing and image display on a preview monitor

Computer	Intel Core™ i5-6500TE Processor, 6 M Cache, up to 3.30 GHz, 1 x DDR4 8 GB memory, 2 x 500 G SATA HDD, 4 x USB 2.0, 2 x USB 3.0
Operating system	Windows 10 Enterprise LTSB 2016 (64 Bit)
Accessories	Keyboard, mouse
Image storage	10,000 RAD image

## Display

### 23.8" Color display

Display area (W x H)	52.7 cm x 29.6 cm (20.7" x 11.6")
Screen size	23.8" (60 cm)
Pixel number	1920 x 1080
Typical brightness	400 cd/m <sup>2</sup>
Typical contrast ratio	1000:1
Power consumption	45 W
Weight	With normal screen: 14.5 kg (32 lbs) With touch screen <sup>1)</sup> : 15.4 kg (34 lbs)
Dimensions (W x H x D)	59.2 cm x 37.2 cm x 6.4 cm (23.3" x 14.6" x 2.5")
Horizontal viewing area	178° (H and V)

<sup>1)</sup> Option

# Clinical workflow

## Patient data administration

Patient registration	<p>Retrieval of patient list and examination data from the hospital/radiology information system (HIS/RIS)</p> <p>Emergency patient registration</p> <p>Patient, study and image data administration</p> <p>Configurable patient registration page</p> <p>Password protected access</p> <p>Cyber security</p>
----------------------	---

## Examination preparation

Exam manager	<p>Selection of exams; adding, deleting or replacing organ programs</p> <p>Automatic acquisition mode/workstation selection</p>
Organ program and exam set editor	<p>Organ programs combined of multiple imaging and workflow parameters for particular body parts and imaging exposure and postprocessing</p> <p>Up to 3,000 organ programs can be stored, customized, and arranged in exam sets using the advanced organ program and exam set editor</p> <p>Exam sets consist of one or more organ programs.</p> <p>The system automatically selects the next organ program in the chosen exam set as each exam step is completed</p>
Organ programs	<p>The following parameters can be configured for each organ program allowing a one-click examination set up:</p> <p><b>X-ray parameters:</b> E.g., acquisition mode, exposure technique, tube voltage, dose, focus, tube load</p> <p><b>Image processing parameters:</b> E.g., window values, positive/negative image display, post-processing, rotation, mirroring, cropping</p> <p><b>Automatic functions<sup>2)</sup>:</b> Set default as on or off for automatic functions such as auto Cu filter</p>

<sup>1)</sup> Option

<sup>2)</sup> Automatic collimator only

# Clinical workflow

## CARE Program (Combined Applications to Reduce Exposure)

CAREFILTER	Adaptive Cu pre-filtration at 0.1, 0.2 and 0.3 mm Cu to reduce patient dose Filter selection via the organ program (auto filter) <sup>2)</sup>
Dose area product acquisition by CAREMAX Virtual	CAREMAX Virtual provides the dose area product (two digits after the decimal)
CAREMAX	An integrated measurement chamber in the collimator housing measures the dose area product in $\mu\text{Gym}^2$ (or $\text{mGycm}^2$ ) and/or standardized patient entrance dose, which are displayed on the generator display and imaging system display in accordance with IEC (CAREWATCH)

## Image acquisition/display/processing

Acquisition and preprocessing	Selection of generator parameters
Image display	Fit to window view of full image
Image processing functions	Rotation, vertical and horizontal reversal, zoom, windowing for contrast/brightness, black/white image inversion
Post-processing	Specially developed image processing method (multispatial filtering) that optimizes the image display specifically for different organ regions Structures of different frequency ranges are weighted differently, allowing precise detail visualization even with large differences in absorption, such as in bone and soft tissue
Graphic functions	Quantification with angle/distance measurement
Text functions	Marking, annotation, image comments, R/L markers
Gridless Acquisition	Gridless acquisition of free exposures (esp. thorax) using post-processing functionalities for superior contrast and easier handling For extremities, grid is not necessary to be applied.
Flavor setting	Simplifies setting of preconfigured image flavor settings based on regional preferences
Smart Virtual Ortho <sup>1)</sup>	Enables acquisition of long leg and full spine images Tilting acquisition of up to three images on the patient table Max. ROI field coverage: 90 cm x 43/35 cm (35.4" x 17/14") with only 5 cm (2.0") overlap depending on different detector size Tilting acquisition of up to four images with Bucky wall stand/Ortho stand required Max. ROI field coverage: 150 cm x 43/35 cm (59.1" x 17"/14") with only 5cm (2.0") overlap depending on different detector size Composing into a full length image is performed automatically by the imaging system The live 3D Camera image enables accurate collimation and helps users see if they can perform an exam with fewer images

<sup>1)</sup> Option

<sup>2)</sup> Automatic collimator only

# Clinical workflow

## Data transfer and documentation

DICOM network interfaces	
DICOM Send/StC	Transmission of images to a DICOM network for viewing and archiving Confirmation from the image archive (StC = Storage Commitment)
DICOM Print	Printing of images to a DICOM laser camera via virtual film sheet
DICOM Query/Retrieve	Retrieval of images from a picture archival system (PACS)
DICOM Worklist/MPPS	Get Worklist function for importing patient data from a data management system (RIS/HIS). CR and DX worklist entries supported, configurable Modality Performed Procedure Step (MPPS) function for sending examination statistics and dose information to a data management system
DICOM Dose Structured Report	Sending of dose values for each study to an archiving system
Documentation	Transmission of images to a network
Image data management	Automatic and selective printing with virtual film sheet  Available layout formats for printing: 2 x 1; 3 x 1; 3 x 2; 1 x 1; 1 x 2; 1 x 3; 2 x 2; 2 x 3; etc, maximum layout format: 8 x 9 Up to 3 network nodes at the same time and one laser camera configurable Export of image data (12 bit) to CD/DVD recorder in DICOM or TIFF format Export and import to USB device in DICOM or TIFF format USB hard disk available as optional accessory
Recycle bin	This feature can be enabled or disabled Stores rejected and deleted images that are not archived/printed in a separate folder
Clinical Assurance Program (CAP)	Provides statistics of rejected images
Printer connection <sup>1)</sup>	For paper printing to a Level 2 PostScript printer

<sup>1)</sup> Option

# Clinical workflow

## Smart Remote Services<sup>1)</sup>

Preparation for Smart Remote Services (SRS):  
 Allows hardware and software remote diagnosis  
 Allows remote system configuration, e.g., adding a DICOM node

## Emergency power supply<sup>1)</sup>

Provides emergency power to the imaging system (50/60 Hz) until line voltage is restored  
 In case of power failures lasting more than 90 seconds the imaging system will shut down automatically  
 Nominal power 850 VA

## Cyber security

Secure Product Lifecycle	Threat and Risk Analysis, Secure Architecture & Design, Secure Configuration and Hardening, Secure Coding & Testing with Vulnerability Scanning, Penetration Testing
Whitelisting	Malware protection based on Microsoft Device Guard
IPv4	It is possible to configure IP addresses in IPv4 format
Advanced security package	Advanced user management: Active directory integration, Individual password management and user authorization Audit trail management: Detailed tracking of user and system actions and centralized automated logging

<sup>1)</sup> Option



# Accessories

## Accessories

The following accessories expand the capabilities of your MULTIX Impact system:

Hand grips for patient table and Bucky wall stand<sup>1)</sup>

Patient stretch grip<sup>1)</sup>

Patient positioning mattress<sup>1)</sup>

Footswitch for elevating table height adjustment and tabletop float release<sup>1)</sup>

Accessory filters (including holder) for collimator<sup>1)</sup>

Compensation filter<sup>1)</sup>

Compression belt (suitable for table)<sup>1)</sup>

BABIX holder<sup>1)</sup>

Mobile detector holder<sup>1)</sup>

Lateral detector holder for use on patient table<sup>1)</sup>

Clip-on grid<sup>1)</sup>

FD cover for Core XL<sup>1)</sup>

Examination bed with integrated detector tray<sup>1)</sup>

UPS for imaging system<sup>1)</sup>

Table paper holder<sup>1)</sup>

Intercom<sup>1)</sup>

Smart Remote Control<sup>1)</sup>

Multipurpose / Ortho stand<sup>1)</sup>

Cassette holder without retainer<sup>1)</sup>

Cassette holder<sup>1)</sup>

Wall holder for grids<sup>1)</sup>

Wireless Remote Control Console<sup>1)</sup>

Wall charger for MAX wi-D<sup>1)</sup>

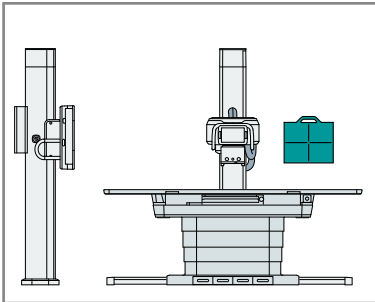
Barcode Reader for patient ID scanning<sup>1)</sup>

Mobile Patient Table for Core XL<sup>1)</sup>

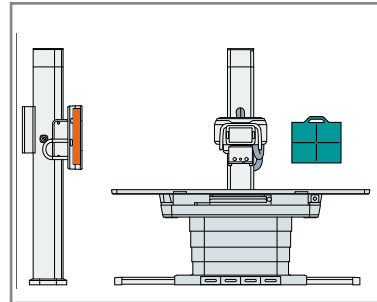
<sup>1)</sup> Option

# System configuration

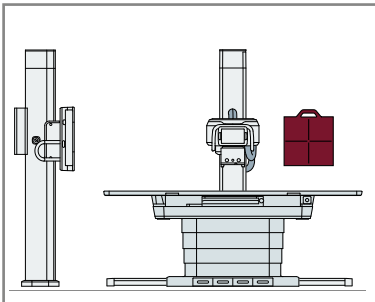
## System solutions



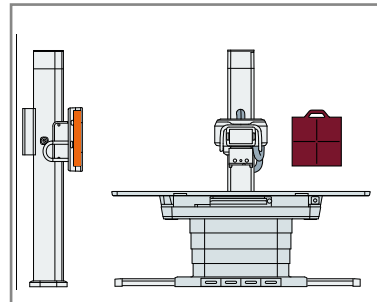
Floor-mounted solution with motorized Bucky wall stand and elevating table equipped with MAX wi-D for free exams



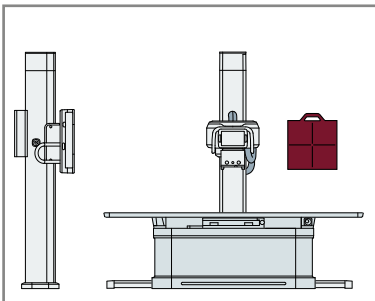
Floor-mounted solution with motorized Bucky wall stand with Core static and elevating table equipped with MAX wi-D for free exams



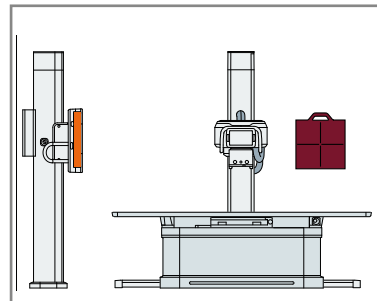
Floor-mounted solution with motorized Bucky wall stand and elevating table equipped with Core XL for free exams



Floor-mounted solution with motorized Bucky wall stand with Core static and elevating table equipped with Core XL for free exams



Floor-mounted solution with motorized Bucky wall stand and fixed table equipped with Core XL for free exams



Floor-mounted solution with motorized Bucky wall stand with Core static and fixed table equipped with Core XL for free exams



MAX wi-D



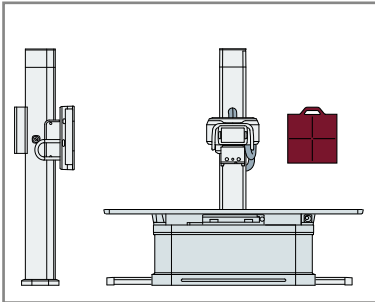
Core XL



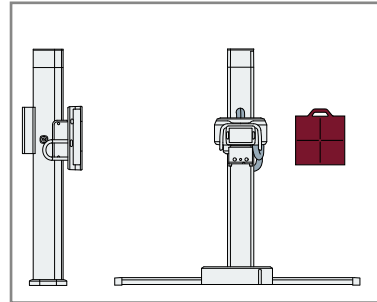
Core static

# System configuration

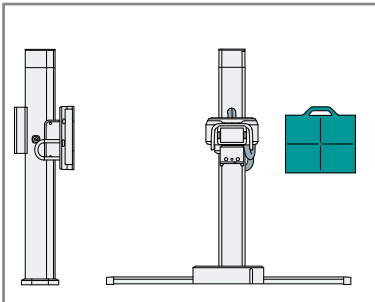
## System solutions



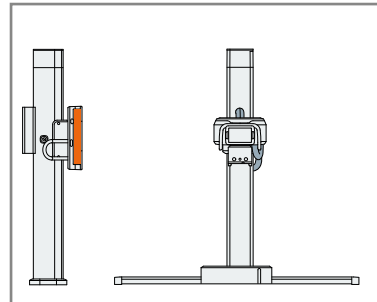
Floor-mounted solution with manual Bucky wall stand and fixed table equipped with Core XL for free exams



Floor-mounted solution with motorized Bucky wall stand equipped with Core XL for free exams



Floor-mounted solution with motorized Bucky wall stand equipped with MAX wi-D for free exams



Floor-mounted solution with motorized Bucky wall stand equipped with Core static



MAX wi-D



Core XL



Core static

# Room planning

## Installation data

The entire system is powered via a three phase voltage connection

Power connection	3-phase, 380 V, 400 V, 440 V (50/60 Hz), 480 V (60 Hz) ± 10 %
Power consumption	Max. 127 kVA (80 kW)

## Environmental conditions (operation)

### Examination room

Temperature range	+ 10°C to + 35°C
Relative humidity	20 % to 75 %
Barometric pressure	700 hPa to 1,060 hPa

### Imaging system

Temperature range	0°C to + 35°C
Relative humidity	20 % to 75 %
Barometric pressure	700 hPa to 1,060 hPa

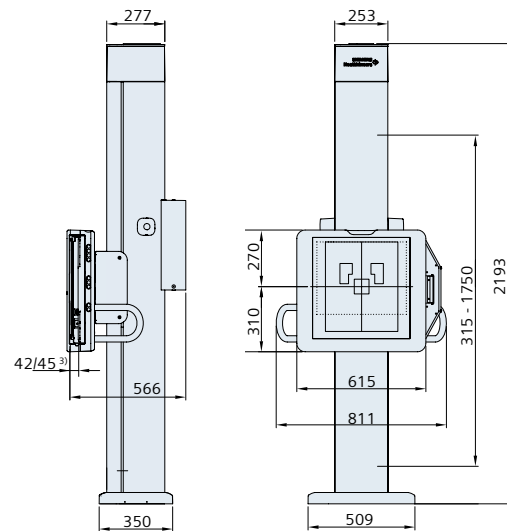
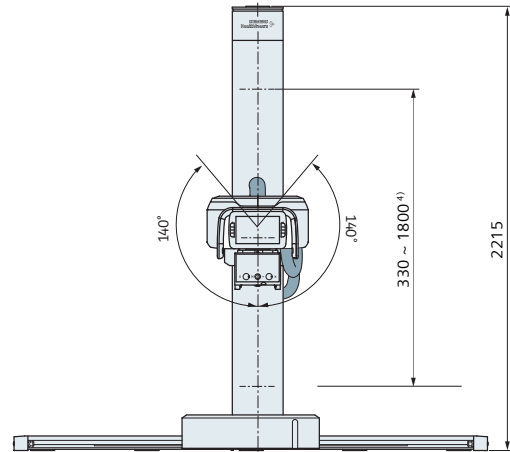
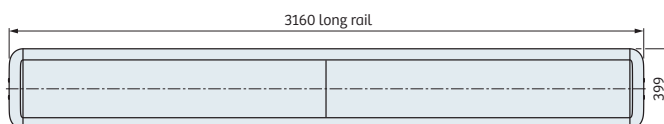
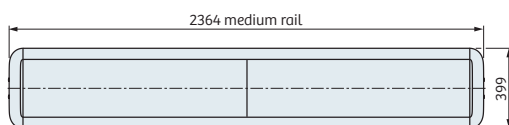
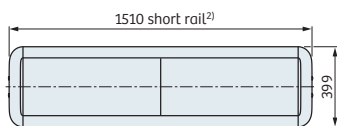
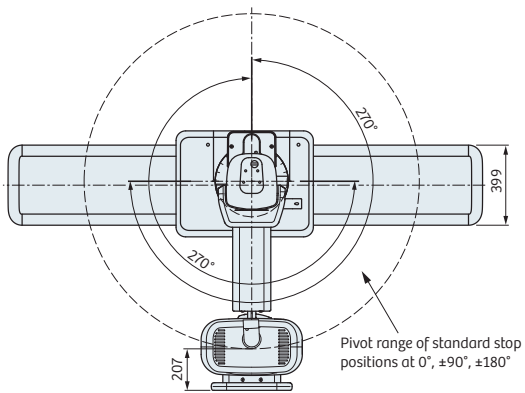
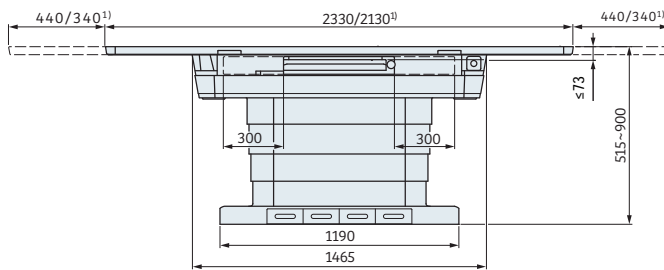
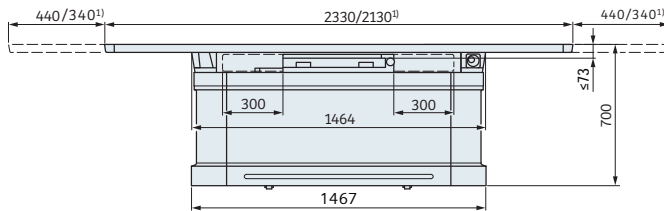
## Weight

Bucky wall stand	Approx. 190 kg (419 lbs)
X-ray tube stand	Approx. 300 kg (661 lbs)
Generator cabinet	Approx. 190 kg (419 lbs)
Patient table	Elevating table <sup>1)</sup> : approx. 320 kg (705 lbs) Fixed table: approx. 300 kg (661 lbs)

<sup>1)</sup> Option

# Room planning

## Dimensions in mm



<sup>1)</sup> for optional short tabletop

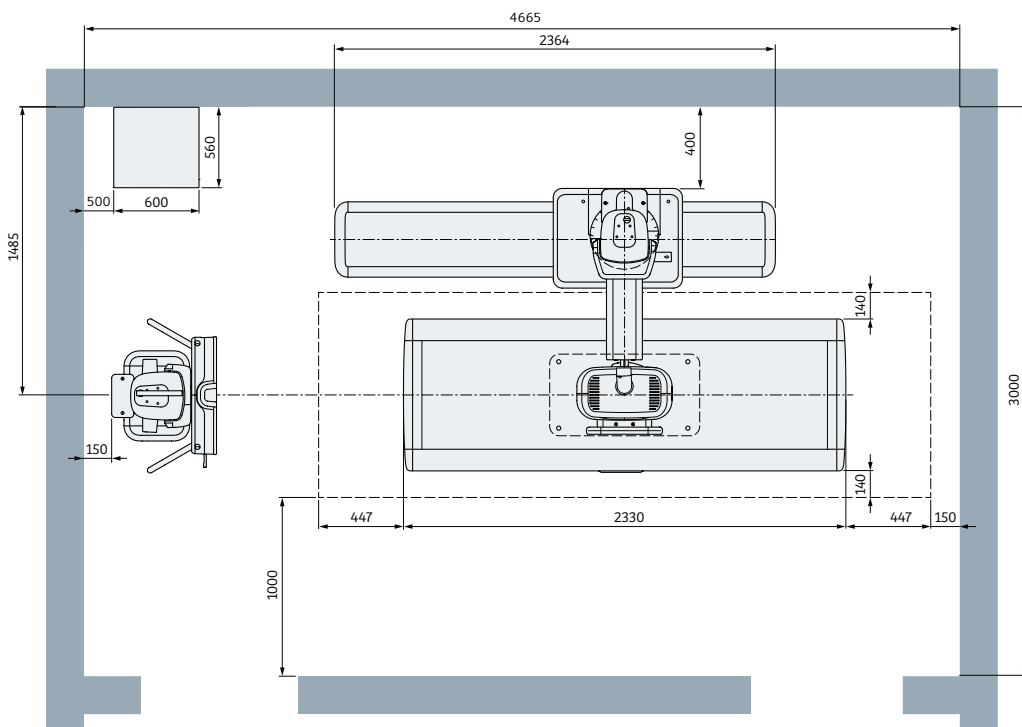
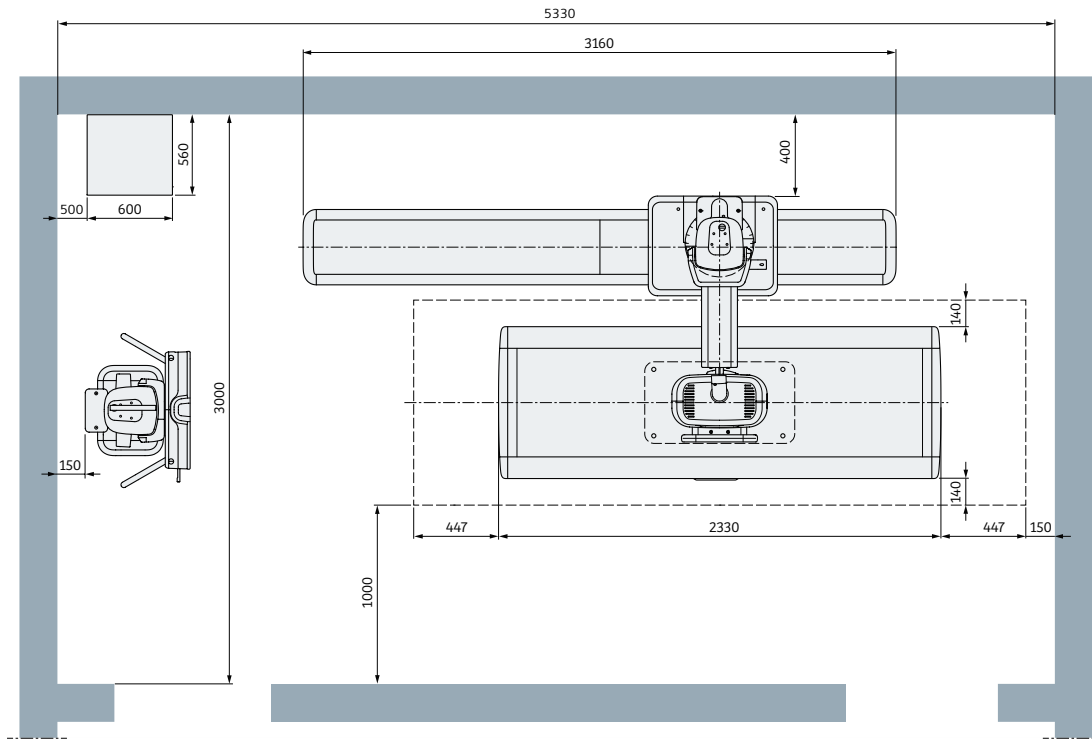
<sup>2)</sup> optional, only for the system without patient table

<sup>3)</sup> for fixed detector

<sup>4)</sup> for the motorized tube column stand: 350 to 1800

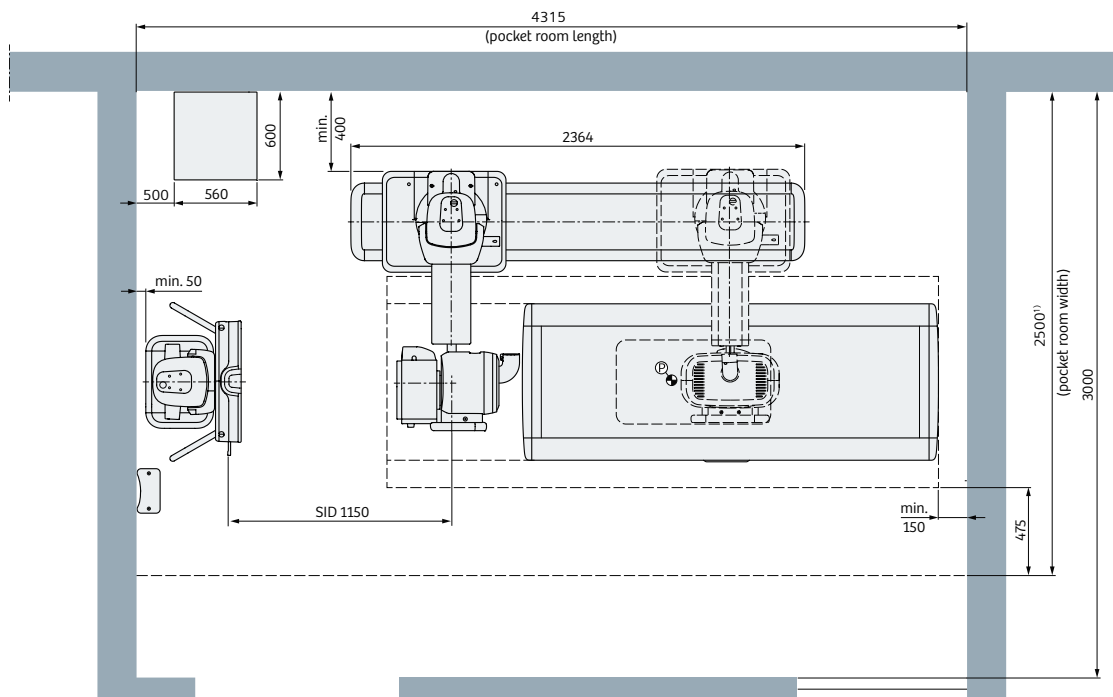
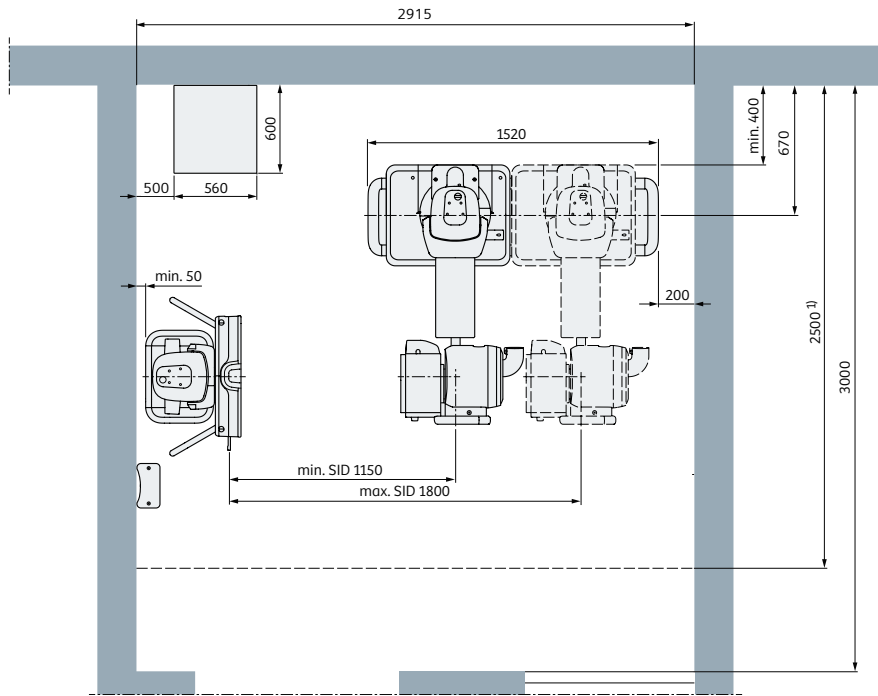
# Room planning

## Room examples



# Room planning

## Room examples



<sup>1)</sup> Min. room width for pocket room size: Can be reduced down to 2500 mm considering restrictions for access:  
 Only sliding doors possible restrictions for kind of patients: Only patients without wheelchair because of the small space in front of the tube stand.

MULTIX Impact is not commercially available in all countries.

Due to regulatory reasons its future availability cannot be guaranteed. Please contact your local Siemens Healthineers organization for further details.

On account of certain regional limitations of sales rights and service availability, we cannot guarantee that all products/services/features included in this brochure are available through the Siemens Healthineers sales organization worldwide. Availability and packaging may vary by country and are subject to change without prior notice. For USA, federal law stipulates that this system may only be sold to a physician or by order of a physician.

The information in this document contains general descriptions of the technical options available and may not always apply in individual cases.

Siemens Healthineers reserves the right to modify the design and specifications contained herein without prior notice.

Please contact your local Siemens Healthineers sales representative for the most current information.

In the interest of complying with legal requirements concerning the environmental compatibility of our products (protection of natural resources and waste conservation), we may recycle certain components where legally permissible.

For recycled components we use the same extensive quality assurance measures as for factory-new components.

Any technical data contained in this document may vary within defined tolerances. Original images always lose a certain amount of detail when reproduced.

MULTIX Impact 14471736  
VA21

---

**Siemens Healthineers Headquarters**

Siemens Healthcare GmbH  
Henkestr. 127  
91052 Erlangen, Germany  
Phone +49 9131 84-0  
siemens-healthineers.com

**Manufacturer**

Siemens Shanghai  
Medical Equipment Ltd.  
No. 278, Zhouzhu Road  
Shanghai, 201318  
P. R. China