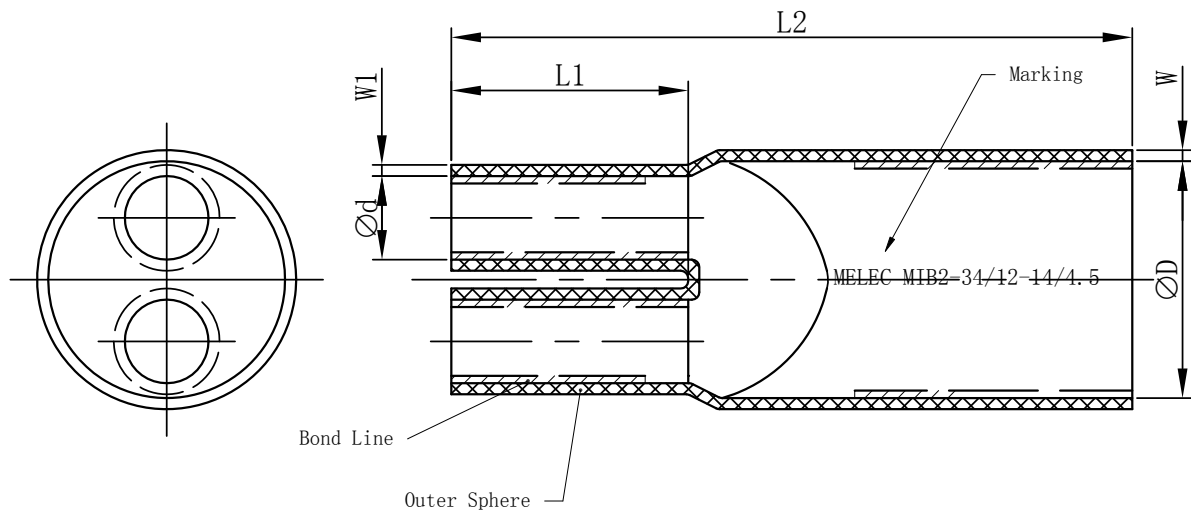



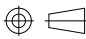
Rev.	Change Description	Designed by	Checked by	Approved by
B1	Original Release	唐凝 2016/03/03	唐张杰 2016/03/03	於海燕 2016/03/03
B1.1	Printing Direction Changed	沈志刚 2020/03/12		



Size	Before Shrinkable (mm)		After Shrinkable (mm)						Marking	Product No
	D	d	D	d	W	W1	L1	L2		
MIB2-34/12-14/4.5	≥34	≥14	≤12	≤4.5	≥2.2	≥2.0	≥30	≥90	MIB2-34/12-14/4.5	MIB2-34/12-14/4.5&BK/M
MIB2-45/15-18/6	≥45	≥18	≤15	≤6	≥2.2	≥2.0	≥30	≥110	MIB2-45/15-18/6	MIB2-45/15-18/6&BK/M
MIB2-60/23-25/8	≥60	≥25	≤23	≤8	≥2.5	≥2.0	≥40	≥140	MIB2-60/23-25/8	MIB2-60/23-25/8&BK/M

Technical Detail:

1. Operating temperature range: -40°C to +110°C.
2. Color Standard: Black.

			JIANGSU JIAMENG ELECTRICAL EQUIPMENT CO.,LTD		
Material	Cross-linked polyolefin	Undefined Tolerance		Title: Heat Shrinkable Insulation Breakout Product No.: MIB2-XX/XX-XX/XX&BK/M Drawing No.: T1MIB2/M	
Approved by	於海燕 2016/03/03	0~30	±1		
Checked by	唐张杰 2016/03/03	>30~120	±2		
Designed by	唐凝 2016/03/03	>120	±3		
Size A4	Scale 1:1		Sheet 1 of 1	Unit mm	