

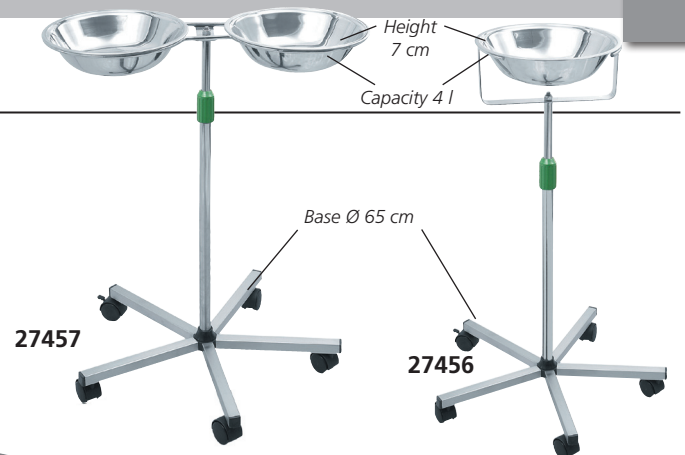
BOWL STANDS

- 27456 SINGLE BOWL STAND
- 27457 DOUBLE BOWL STAND

Chrome plated steel stand with stainless steel base and 5 plastic wheels, one with brake. Adjustable height from 60 to 95 cm. Stainless steel bowl Ø 32 cm, 4 l capacity included.

Available with one or two bowls. **Delivered in kit form.**

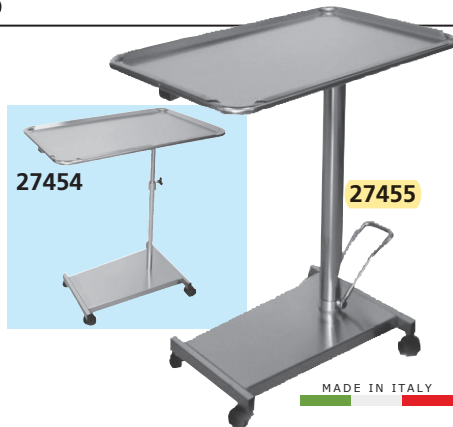
- 27459 S/S BOWL Ø 32 cm - spare



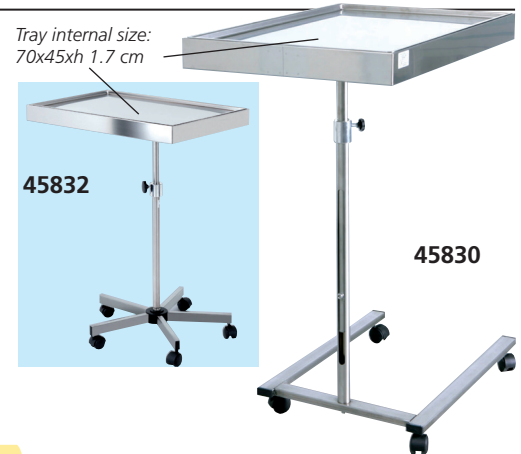
MAYO TABLES



- 27453 MAYO TABLE - 5 spokes
- S/s tray, 5 spokes with castors, Ø 50 mm and adjustable height. Manual: GB, IT. **Delivered in kit form.**



- 27454 MAYO TABLE - s/s base
 - 27455 MAYO TABLE - s/s base and pump
- With removable s/s tray, s/s AISI 304 base with 4 castors (Ø 50 mm) and adjustable height. **Delivered in kit form.** Manual: GB, IT.



- 45830 MAYO TABLE - U-SHAPE
 - 45832 MAYO TABLE - 5 spokes
- Stainless steel base with castors Ø 50 mm: 5 spokes (45832) or U-shape (45830). Stainless steel frame and removable tray. Adjustable height. In conformity with MDR. **Delivered in kit form.**

	27453	TECHNICAL SPECIFICATIONS		45830-45832
S/S tray size:	68x44 cm	27454	27455	70x45xh 1.7 cm
Adjustable height:	70-110 cm	70x45 cm	70x45xh 1.8 cm	70x45xh 1.7 cm
Weight:	8 kg	74-110 cm	85-120 cm	90-115 cm
Load:	20 kg	12 kg	19 kg	10 kg
		40 kg	40 kg	10 kg

MAYO TABLES WITH PUMP



- 45834 HYDRAULIC MAYO TABLE with pump
- Serving trolley used as instrument holder in operating rooms. Not removable tray made of AISI 304 stainless steel. Equipped with hydraulic pump for height adjustment. Base made of aluminium with 5 spokes and swiveling castors Ø 50 mm. **Delivered in kit form.**

	TECHNICAL SPECIFICATIONS	
S/S tray size:	45834	45835
Adjustable height:	85 to 120 cm	90 to 126 cm
Load:	40 kg	20 kg
Weight:	14 kg	17 kg
Packing size:	60x17xh 77 cm	98x68xh 15 cm



- 45835 HYDRAULIC MAYO TABLE with pump and removable tray
- Height adjustable instruments trolley with removable tray in AISI 304 stainless steel, scotch brite finish. Tray can be rotated through 360° with tightening knob. Base in AISI 304 stainless steel tubular frame fixed to the hydraulic pump that allows height adjustment by foot pedal. Three castors Ø 75 mm, one antistatic and two with brake. **Delivered in kit form.**

REX TROLLEY



- 27439 REX TROLLEY
- Complete stainless steel dressing trolley. Supplied with 3 shelves, waste bin, drawer, support for bottles, guard rails on the two bottom shelves, 4 wheels, Ø 100 mm (2 with brakes). Load 50 kg. Size: 79x50xh 120 cm (handle included). Drawer size 64x43xh 9.5 cm. **Delivered in kit form (114x54x37 cm).**