



Details Make the Difference



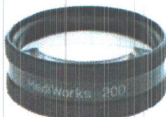
Shanghai MediWorks Precision Instruments Co.,Ltd.



Retina Lens
90D 78D 20D

Deeper Observation, Better Diagnosis

Specification

	90D	78D	20D
			
Magnification ratio	0.76X	0.93X	3.13X
Static FOV	74.2°-89°	81.4°-97°	46°
PrismWorking Distance (mm)	7.0	8.0	50.0
Clear Aperture(mm)	Ø21	Ø26	Ø48
Dimension(mm)	Ø27 x 13	Ø33 x 15	Ø56 x 20

  FDA Approval

Shanghai MediWorks Precision Instruments Co.,Ltd.

Add: Hall 7, Ming Pu Plaza, No. 3279, San Lu Rd, Min Hang District,
Shanghai, 201100, China

Tel: +86-21-54260421 54260423 Fax: +86-21-54260425

Email: Marketing@mediworks.biz
International@mediworks.biz

Follow Us on



www.mediworks.biz

201608B *Subject to change in design or specification without advance notification

Details Make the Difference