



INSTITUT GUMÁRENSKÉ TECHNOLOGIE A TESTOVÁNÍ, A.S.
RUBBER TECHNOLOGY AND TESTING INSTITUTE, Plc.
INSTITUT FÜR GUMMITECHNOLOGIE UND PRÜFWESEN, A.G.
A.O. «ИНСТИТУТ ТЕХНОЛОГИИ РЕЗИНЫ И ИСПЫТАНИЙ»

Společnost je zapsána v obchodním rejstříku vedeném Krajským soudem v Brně, oddíl B, vložka 818



Zlín 28th February 2023

E8*54R00/24*3297*00

PETLAS TIRE INDUSTRY
AND TRADE COMPANY
Kindam Mah.
Ankara-Kayseri Cad. No.2/1
40200 Kirsehir, TURKEY

Communication concerning the approval and notification of approval number and inspection report issued by Inspection body IGTT

Tyre type fully complies requirements of ECE/UN R54.

Enclosed you will find the Communication concerning the approval of your tyres according to ECE/UN Regulation No. 54

On the base of this approval you are entitled to produce in your factory tyres of the dimension:

225/75R16C STARMAXX PROWIN ST950 118/116R

with the approval number : E8 003297
date of inspection : 28th February 2023
inspector's name : Václav Hořelka

Sincerely yours,



Václav Hořelka
Head Of Tyre Approval Department
Head Of Inspection Body IGTT

Ministerstvo dopravy České republiky
Ministry of Transport of the Czech Republic
Nábřeží L. Svobody 12, 110 15 Praha 1, Czech Republic

OSVĚDČENÍ o⁽¹⁾:

COMMUNICATION concerning⁽¹⁾:



UDĚLENÍ HOMOLOGACE

~~ROZŠÍŘENÍ HOMOLOGACE~~

~~ZAMÍTNUTÍ HOMOLOGACE~~

~~ODEBRÁNÍ HOMOLOGACE~~

~~DEFINITIVNÍM UKONČENÍ VÝROBY~~

APPROVAL GRANTED

~~APPROVAL EXTENDED~~

~~APPROVAL REFUSED~~

~~APPROVAL WITHDRAWN~~

~~PRODUCTION DEFINITELY DISCONTINUED~~

typu pneumatiky pro motorová vozidla podle Předpisu č. 54
of a type of pneumatic tyre for motor vehicles pursuant to UN Regulation No. 54

Homologace č.:

Approval No.: **E8*54R00/24*3297*00**

Rozšíření č.:

Extension No.: **N/A**

- | | | | |
|--------|---|---|---|
| 1. | Jméno a adresa výrobce
Manufacturer's name and address | : | PETLAS TIRE INDUSTRY
AND TRADE COMPANY
Kindam Mah.
Ankara-Kayseri Cad. No.2/1
40200 Kirsehir, TURKEY |
| 2. | Označení typu pneumatiky ⁽²⁾
Tyre type designation ⁽²⁾ | : | |
| 2.1. | Značka(y) / obchodní značka(y)
Brand name(s) / trademark(s) | : | STARMAXX |
| 2.2. | Obchodní popis(y) / obchodní jméno(a)
Trade description(s) / Commercial name(s) | : | PROWIN ST950 |
| 3. | Název a adresa zástupce výrobce
(je-li potřebné)
If applicable, name and adress of
manufacturer's representative | : | N/A |
| 4. | Souhrnný popis
Sumarized description | : | |
| 4.1. | Označení rozměru pláště
Tyre size designation | : | 225/75R16C |
| 4.2. | Kategorie užití
Category of use | : | normální / zimní / speciální⁽¹⁾
normal / snow / special⁽¹⁾ |
| 4.3. | Konstrukce
Structure | : | diagonální / radiální⁽¹⁾
diagonal / radial⁽¹⁾ |
| 4.4. | Třída pneumatiky
Tyre class | : | C2 / G3⁽¹⁾ |
| 4.5. | Kategorie rychlosti
Speed category symbol | : | |
| 4.5.1. | Nominální
Nominal | : | R |
| 4.5.2. | Doplňková (je-li potřebné)
Additional (if applicable) | : | N/A |



- 4.6. Indexy nosnosti
Load capacity index
- 4.6.1. Odpovídající nominální rychlosti : v jednomontáži ve dvojmontáži
Corresponding to nominal speed : single 118 twinned (dual) 116
- 4.6.2. Odpovídající doplňkové rychlosti : v jednomontáži ve dvojmontáži
Corresponding to additional speed : single N/A twinned (dual) N/A

5. Technický servis a případně zkušební laboratoř schválená pro účely schvalování nebo pro ověřování shodnosti
Technical service and where applicable, test laboratory additional approved purposes of approval or of verification of conformity : 8/E:
IGTT a. s. - Institut gumárenské technologie a testování, a.s.
Rubber Technology and Testing Institute, Comp.
Šternberská 446, Louky,
763 02 ZLÍN,
CZECH REPUBLIC

6. Datum protokolu, vydaného touto zkušebnou
Date of report issued by that service : 06.01.2023

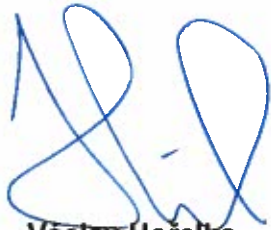
7. Číslo protokolu, vydaného touto zkušebnou
Number of report issued by that service : D023-19

8. Důvod pro rozšíření (je-li potřebné)
Reason (s) of extension (if applicable) : N/A

9. Poznámky
Any remarks : N/A

10. Místo
Place : Praha
Prague

11. Datum
Date : 28.02.2023

12. Podpis
Signature : 
Václav Horelka



13. K osvědčení je přiložen seznam dokumentů obsažených v homologačních podkladech uložených u homologačního orgánu, který udělil homologaci, a které lze obdržet na vyžádání.

Annexed to this communication is a list of documents in the approval file deposited at the Approval Authority which has considered this approval and which can be obtained upon request.

Seznam dokumentů
List of documents

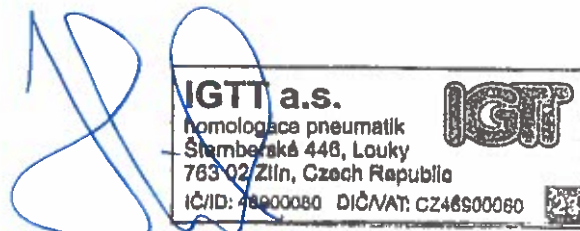
- Žádost o udělení homologace / Request for approval
- Kótovaný profil pneumatiky / Dimensioned tyre cross-section
- Výkresy bočnice a běhounu pláště / Drawing of the tyre sidewalls and tread
- Prohlášení výrobce / Manufacturer's declaration
- Protokol o zkoušce dle bodu 7. / The test report as mentioned in item 7.

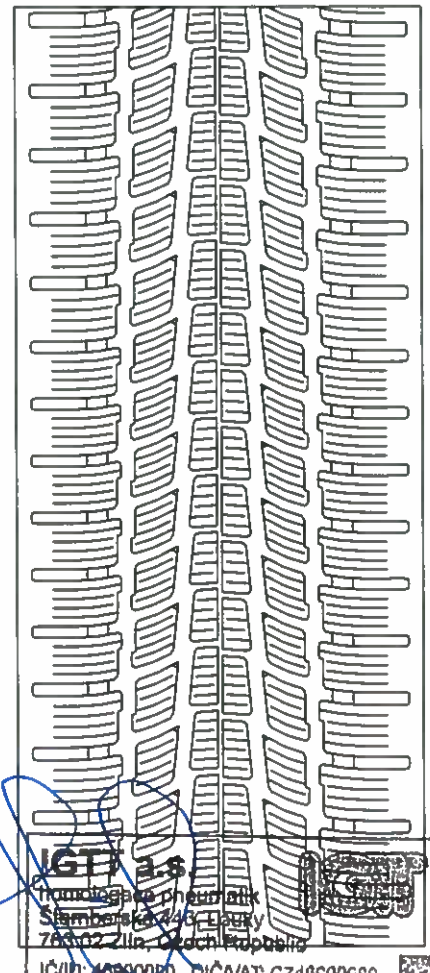
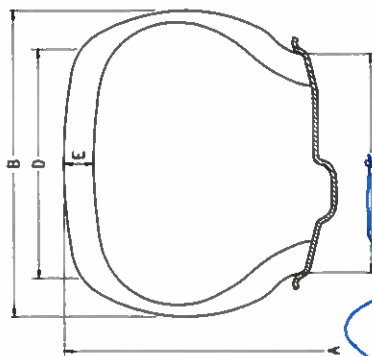
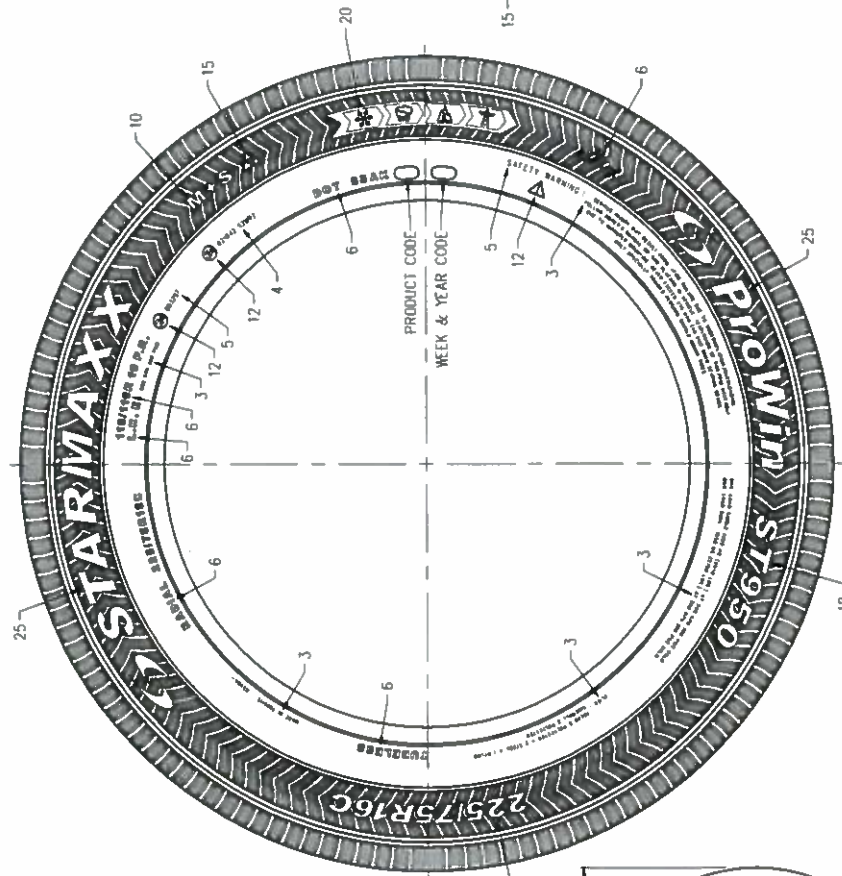
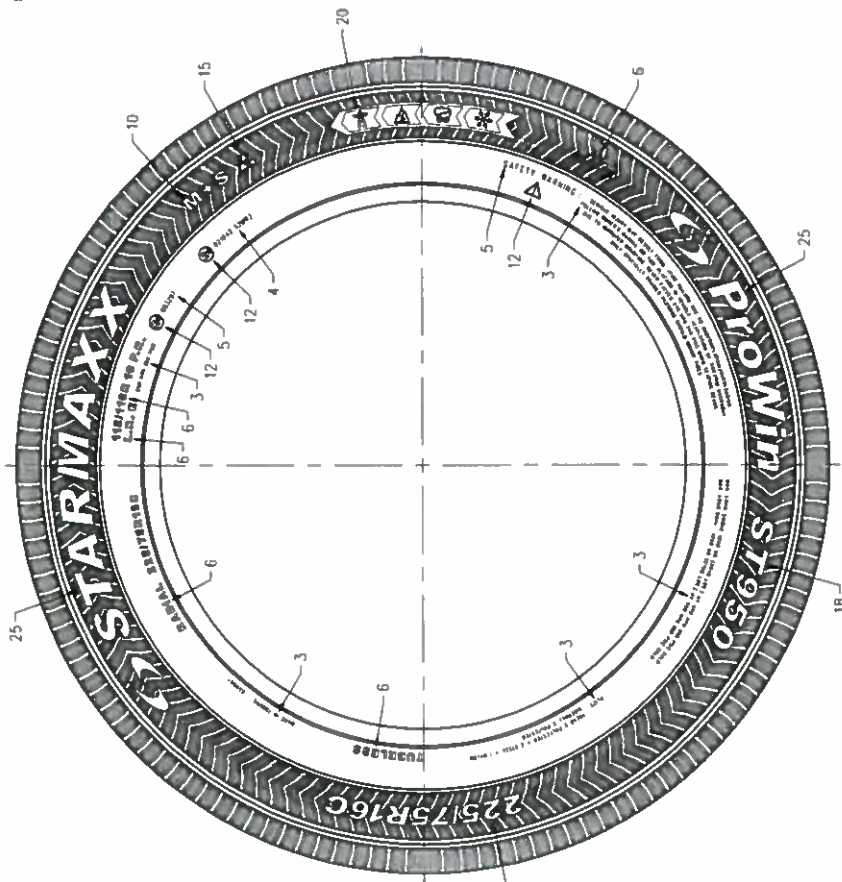
(1) Nehodící se škrtněte
Delete that which does not apply

(2) Seznam značek / ochranných známek nebo obchodních popisů / obchodních názvů může být přílohou k tomuto osvědčení
A list of brand name(s)/trademark(s) or trade description(s)/commercial name(s) may be annexed to this communication

APPLICATION FOR APPROVAL ECE No. 54

4.1.1	Tyre-size designation	: 225/75 R16 C	
4.1.2	The manufacturer's name	: PETLAS TIRE INDUSTRY AND TRADE COMPANY	
4.1.2.1	The Brand name(s)/trademark(s)	: STARMAXX	
4.1.2.2	The trade description(s)/commercial name(s)	: PROWIN ST950	
4.1.3	Category of use (normal/special/snow)	: SNOW	
4.1.3.1	For the tyres belonging to the category of use "special use tyre" those which may bear the inscription M+S or M.S or M&S	: YES	
4.1.4	Structure (diagonal(bias ply)/radial)	: RADIAL	
4.1.5	Speed category	: R	
4.1.6	The load-capacity indexes	: 118/116	
4.1.7	Tube type / Tubeless	: TUBELESS	
4.1.8	Overall section width,	: 223	mm
	Outer diameter	: 744	mm
4.1.9	Factor X	: 0.70	
4.1.10	The rims on which the tyre can be mounted	: 6J; 6½J; 7J	inch
4.1.11	The measuring rim and test rim	: 6.00	inch
4.1.12	The inflation pressure for the dimension measurement and for the load/speed endurance test pressure	: 550	kPa
4.1.13	The additional load/speed combinations	: NA	





R	225/75R16C	118/116	X	744	223	6.0	178	11.8	003297	021042 S2WR2	-
R	225/75R16C	118/116	X	744	223	6.0	178	11.8	003297	021042 S2WR2	-
HIZ SINIFİ (SPEED CAT.)	LASTİK EBAĞI (TIRE SIZE)	YÜK KAPASİTE İNDEKSİ (LOAD CAP. INDEX)	TİP (TYPE)	A	B	C	D	E	ONAY NO. (APPROVAL NO.)	ONAY NO. (APPROVAL NO.)	AÇIKLAMA (REMARKS)
			Ç LASTIKLI (TUBE TYPE)	Ç LASTIKSIZ (TUBELESS)	mm	mm	mm	mm	Eg R-54	Eg R-117	

SIRT DESENİ (TREAD PATTERN) : ProWin ST950 SIRT (TREAD) : YANAK (SIDEWALL) :	RESİM NO. (DRAWING NO.) PKT-12549A-2	TARİH (DATE)	KONTROL (CHECKED)
		01.02.2023	BANK DAC EĞİLEBİR SAHA B.Dg JHA

İSTİ
Namık Kemal
Samsun
76300 Zile, Ordu
İC/İB: 4090080 DİC/VAT: C240600C80



Lastik Sanayi ve Ticaret A.Ş.

Date : 16.02.2023

Petlas Ref. No : 230/051/023

Subject : DECLARATION
Concern : Mr. Vaclav Horelka
Tire Approval Department Head
IGTT ZLIN

To whom it may concern;

Petlas confirms that the tires which are given below are produced under the same specification and same technology (same raw materials, same green tire specification, same machine, same mold). Only the trade mark of the tires are different.

BRAND	SIZE	APPROVAL NUMBER
PETLAS	225/75 R16 C FULLGRIP PT925 TL 118/116 R 10PR	E8 003296
STARMAXX	225/75 R16 C PROWIN ST950 TL 118/116 R 10PR	E8 003297

Erdin ONAT
R&D Manager

PETLAS Lastik Sanayi ve Ticaret A.Ş.
Kındam Mah. Ankara-Kayseri Cad. No:2/1 KIRŞEHİR Tel: (0386) 252 65 50 Fax: (0386) 252 65 70
iletisim@petlas.com.tr

petlas Bir Abdulkadir Özcan A.Ş. Kuruluşudur.

137-F-178-02

IGTT a.s.
homologace pneumatik
Štěpberská 446, Louky
763 02 Zlín, Czech Republic
IČ/D: 4690080 DIČ/VAT: CZ46900060



TYPE APPROVAL TEST REPORT

REPORT NO: D023-19

TYRE SPECIFICATION

Manufacturer Name	: PETLAS TIRE INDUSTRY AND TRADE CO.	Speed Category Symbol	: R
Manufacturer Address	: KINDAM MAH.ANKARA KAYSERI CAD. NO:2/1 KIRŞEHİR / TURKEY	Additional Load/Speed	: N/A
Brand	: PETLAS	Category of Use	: SNOW
Pattern Name	: FULLGRIP PT925	TT/TL	: TL
Product Code	: 40961	Date of Manufacture	: 5222
Size Designation	: 225/75 R16 C	Barcode Number	: 84177619
Load Capacity Index	: 118/116	Approval Number	: E8 003296

TEST AND EQUIPMENT SPECIFICATION

Test Tyre Receiving Date	: 2.01.2023
Test Date	: 4.01.2023
Reference Regulation	: UNECE Regulation 54.00
Petlas Test Code	: 5500
The Tests Conducted	: 1 - Marking Control <input checked="" type="checkbox"/> 2 - Dimensions Measurement <input checked="" type="checkbox"/> 3 - Load/Speed <input checked="" type="checkbox"/>
Test Machine Name (Drum Diameter)	: ASM-2 (1.707 m)
Pressure Gauge Calibration No	: 2214798
Caliper Calibration No	: 2213858
Tape Measure Calibration No	: 2213870
Test Rim	: 6.0JX16
Test Technician	: S.Ö.

CUSTOMER INFORMATION

Name	: Same as Manufacturer
Address	: Same as Manufacturer

TYRE VISUAL INSPECTION RESULT BEFORE TEST

Tyre was inspected and any evidence of failure was not detected.

Controlled by;

AYHAN UMUCU
Tyre Test Engineer
05.01.2023



Page 1 of 2

Approved by;

EKREM TURNA
Tyre Testing Laboratory Chief
06.01.2023

IGT a.s.
homologace pneumatik FOR
Stemberak 446, Louky
783 02 Zlín, Czech Republic
IČND: 14600080 DIČ/VAT: CZ46900080 23



TYPE APPROVAL TEST REPORT

REPORT NO: D023-19

TEST 1 - MARKING CONTROL

Trade name or Mark	YES <input checked="" type="checkbox"/>	NO <input type="checkbox"/>	N/A <input type="checkbox"/>
Commercial/Pattern Name Marking	YES <input checked="" type="checkbox"/>	NO <input type="checkbox"/>	N/A <input type="checkbox"/>
Tyre Size Designation Marking	YES <input checked="" type="checkbox"/>	NO <input type="checkbox"/>	N/A <input type="checkbox"/>
Tyre Structure Marking	YES <input checked="" type="checkbox"/>	NO <input type="checkbox"/>	N/A <input type="checkbox"/>
Speed Category Symbol Marking	YES <input checked="" type="checkbox"/>	NO <input type="checkbox"/>	N/A <input type="checkbox"/>
Load Capacity Index Marking	YES <input checked="" type="checkbox"/>	NO <input type="checkbox"/>	N/A <input type="checkbox"/>
"FRT"	YES <input type="checkbox"/>	NO <input type="checkbox"/>	N/A <input checked="" type="checkbox"/>
"Regroovable"	YES <input type="checkbox"/>	NO <input type="checkbox"/>	N/A <input checked="" type="checkbox"/>
"M+S" marking in case of "Snow" or "Special Use" tire	YES <input checked="" type="checkbox"/>	NO <input type="checkbox"/>	N/A <input type="checkbox"/>
"POR" or "ET" marking in case of Special Use Tire	YES <input type="checkbox"/>	NO <input type="checkbox"/>	N/A <input checked="" type="checkbox"/>
"TUBELESS" marking in case of without inner tube use	YES <input checked="" type="checkbox"/>	NO <input type="checkbox"/>	N/A <input type="checkbox"/>
Date of Manufacture	YES <input checked="" type="checkbox"/>	NO <input type="checkbox"/>	N/A <input type="checkbox"/>
Approval Number Marking	YES <input checked="" type="checkbox"/>	NO <input type="checkbox"/>	N/A <input type="checkbox"/>

RESULT : The tire markings are fulfill the reference regulation requirements.

TEST 2 - DIMENSIONS MEASUREMENT

Conditioning	: 24 hours at 25 ± 5 °C
Inflation Pressure (kPa)	: 550
Overall Widht Measurements (mm)	: 224,8 / 224,5 / 224,5 / 225,1 / 224,8 / 224,4
Maximum Circumference (mm)	: 2338

PARAMETERS	LIMIT VALUES (mm)	MEASURED VALUES (mm)
Nominal Overall Width-S	223,0	225,1
Maximum Overall Width-Smax	232,0	
Nominal Outer Diameter-D	744,0	744,2
Minimum Outer Diameter-Dmin	734,0	
Maximum Outer Diameter-Dmax	765,0	

RESULT : The dimensions are fulfill the reference regulation requirements.

TEST 3 - LOAD / SPEED TEST

Conditioning	: 3 hours at 25 ± 5 °C
Inflation Pressure (kPa)	: 550

Test Procedure

Date/Time	Test Step No	Duration (min.)	Test Load (kg)	Test Speed (km/h)	Control
4.1.2023 02:44	0	0	0	0	S.Ö.
	1	10	1188	0-150	
	2	10	1188	150	
4.1.2023 03:44	3	10	1188	160	
	4	30	1188	170	S.Ö.

RESULT : Tire completed the load/speed test without any failure.

FINAL RESULT: THE TYRE PASSED ALL TESTS ACCORDING TO THE REFERENCE REGULATION



Controlled by;

AYHAN UMUCU
Tyre Test Engineer
05.01.2023



Page 2 of 2

Approved by;

EKREM TURNA
Tyre Testing Laboratory Chief
06.01.2023