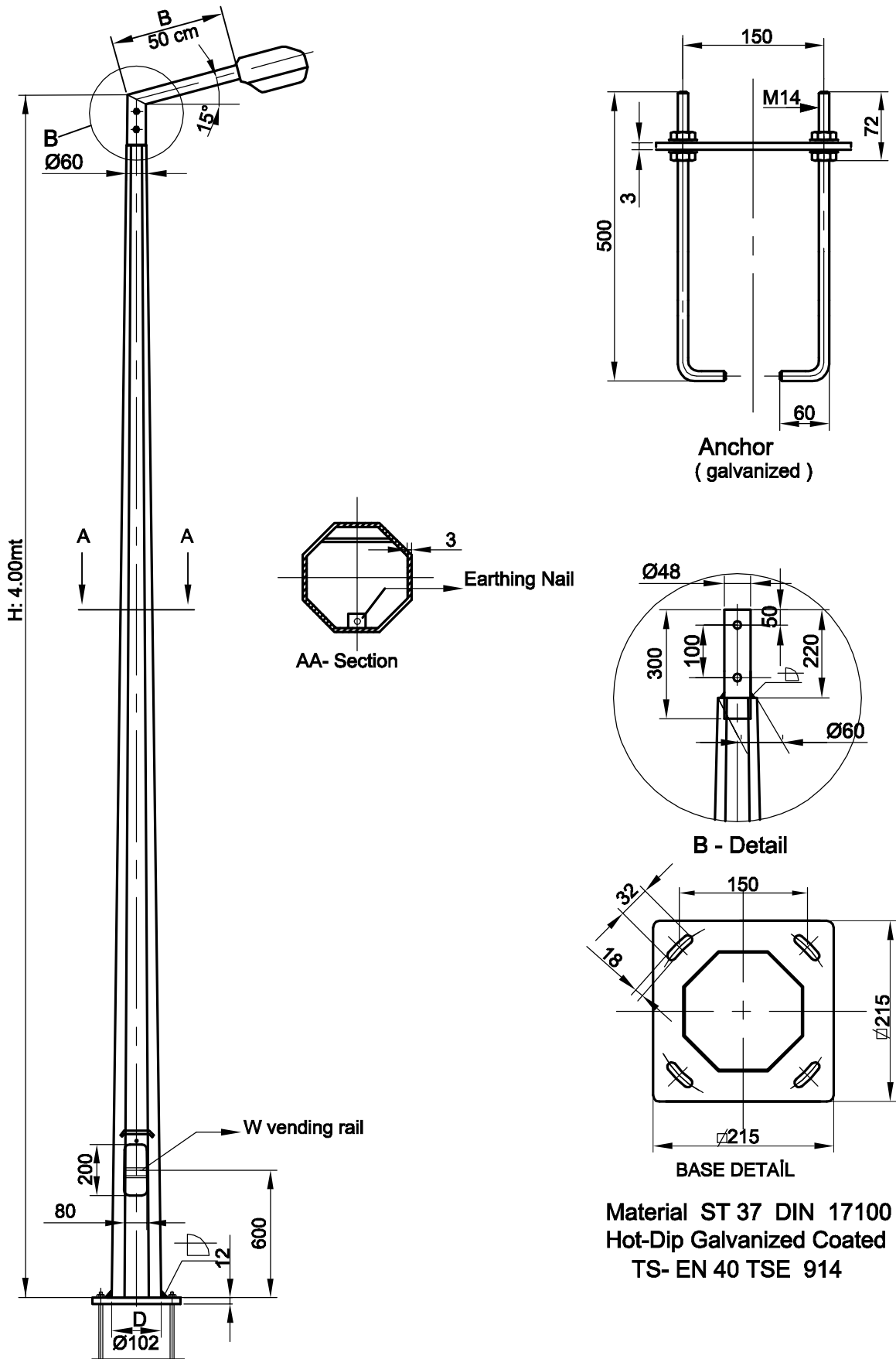


NO: PR 2471 13.11.2009 Picture Not to Scale



Designed by - Signature
Mak.Müh. N.AGZIKURU

Checked by - Signature
K.YILMAZTURK

Approved by - Date
B.BILICI - 19.12.2011

Drawing No
PR 092

Static

Description

4 MT LIGHTING POLE SINGLE ARM

PRODASH Energy Industry **PRODAŞ**[®]

It is not allowed to copy or to use it without our written authorization, and it is strictly prohibited to disclose it to third parties or to pass on the contained information in one way or another to third parties.

Rev.01 - 19.12.2011

Material	Thickness	Scale	Pcs	Sheet
S235JR-(ST37)	3MM	1:70	1	1/1