

ISO



MEGASAN

Oxygen Cylinder Filling System - ISO 20 Container

Capacity : 20 m³/h
Outlet Pressure : 150,0 bar(g)
Outlet Diameter : 1/4"
Power Supply : 380 - 400 / 50/ 3

Feed Oxygen Quality : 93% +/-3

Installation Requirements

Well ventilated and weather protected environment. Classified areas excluded.

The purchaser is to be responsible for the following in particular;

For correct operating conditions such as room-space, temperature, room-space ventilation, electrical power supply, correct condensate discharge, possible supply and removal of cooling water, compressed air provision, erection and installation of system and accessories, compliance with official regulation, etc.

The protection of gas generating plant and equipment against gas consumptions higher than its specified hourly output flow;

The protection of persons, plant and equipment against escaping gas, fire, explosion etc., in cases of defects;

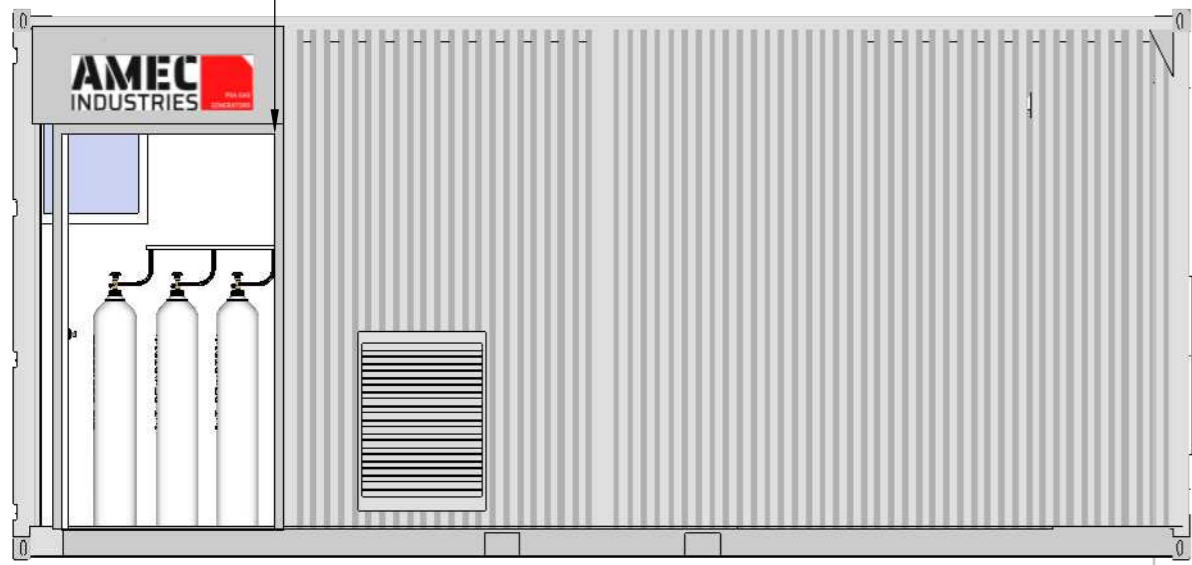
The correct and safe extraction of gases, which might escape from compressor's and gas generating plant's safety valves in cases of disruption.

AMEC
INDUSTRIES PSA GAS GENERATORS

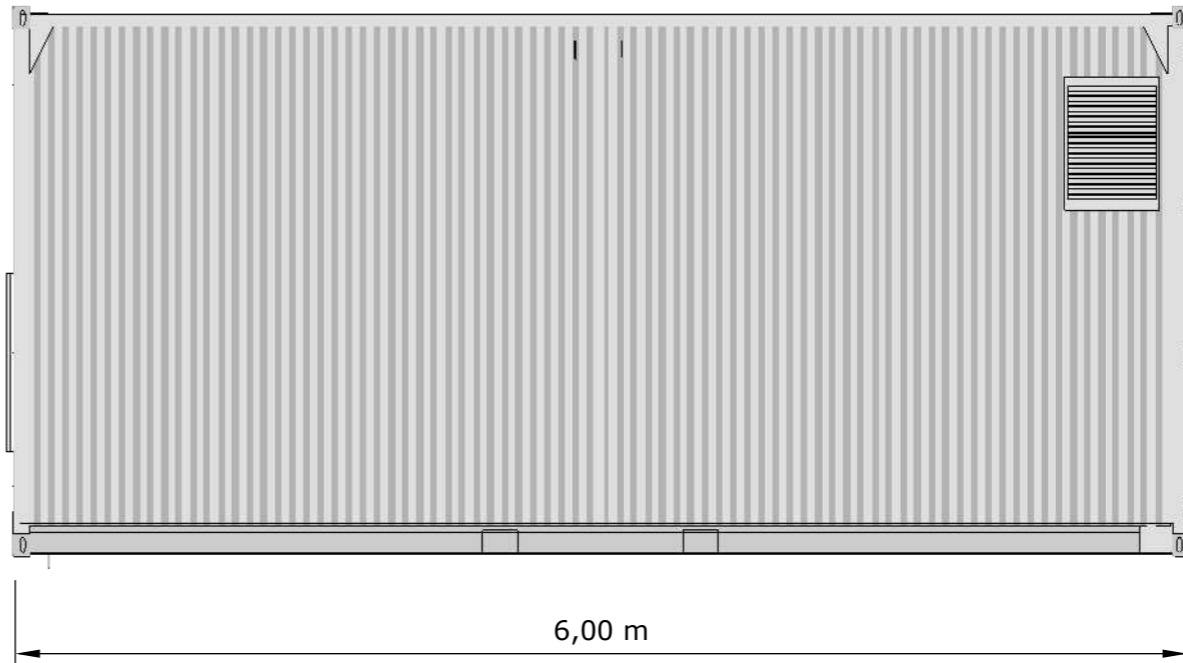
Address :
BASKENT OSB 12 AVE N 9
MALIKOY SINCAN ANKARA TURKEY
www.amecindustries.com
sales@amecindustries.com
+903124287073

FRONT

DOOR 2

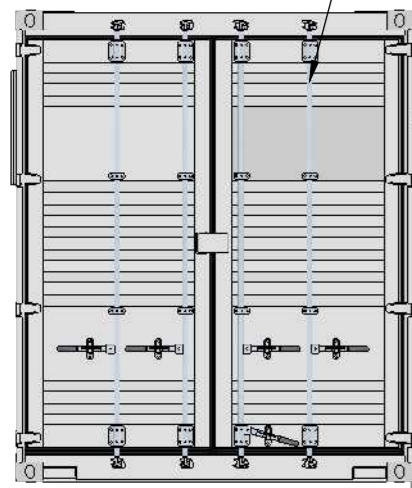


BACK

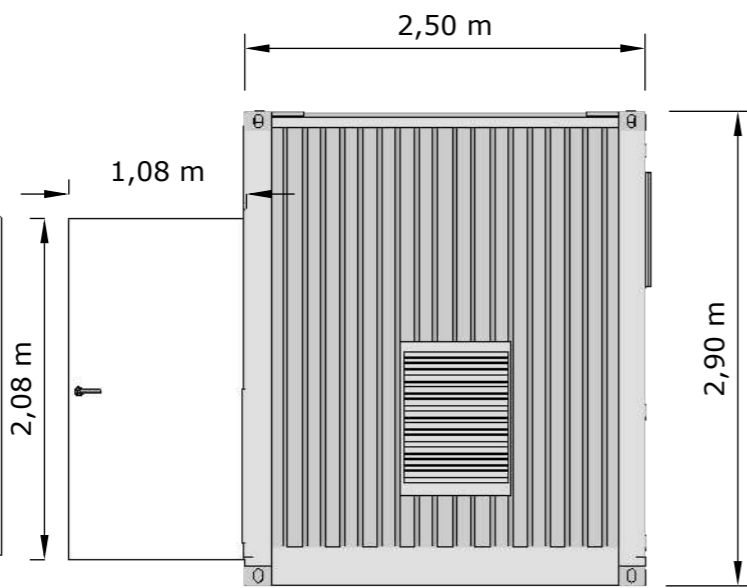


RIGHT

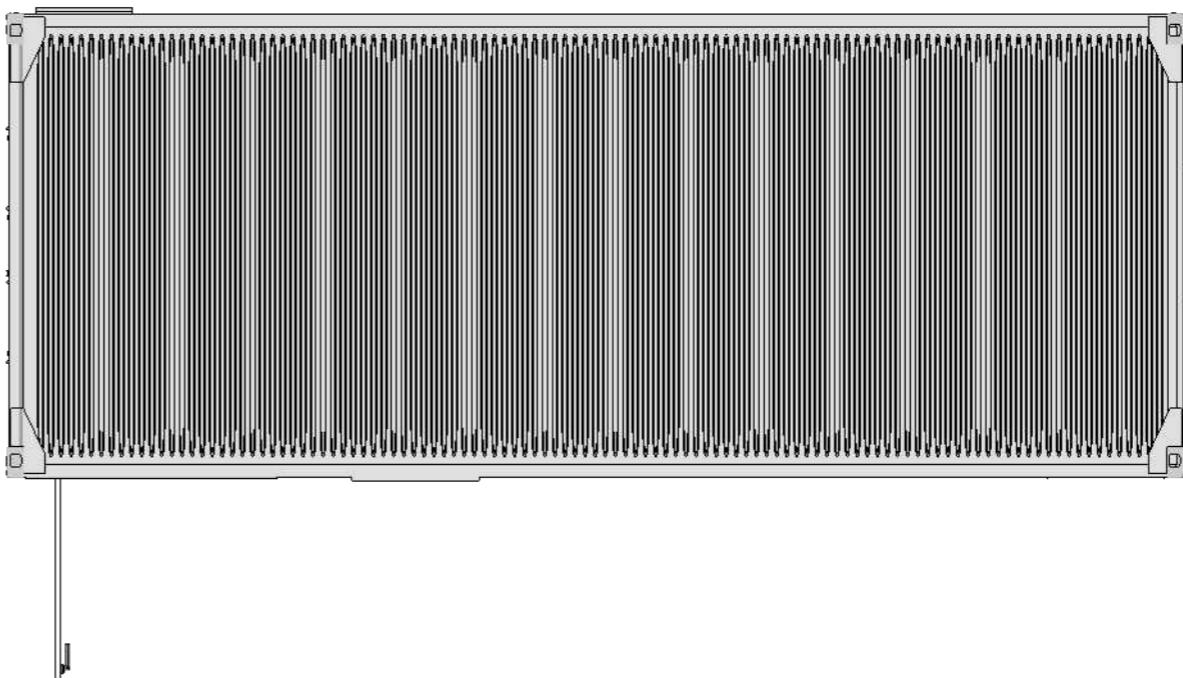
DOOR 1



LEFT



TOP



Oxygen Cylinder Filling System - ISO 20 Container

Capacity : 20 m³/h
Outlet Pressure : 150,0 bar(g)
Outlet Diameter : 1/4"
Power Supply : 380 - 400 / 50/ 3

Feed Oxygen Quality : 93% +/-3

Installation Requirements

Well ventilated and weather protected environment. Classified areas excluded.

The purchaser is to be responsible for the following in particular;

For correct operating conditions such as room-space, temperature, room-space ventilation, electrical power supply, correct condensate discharge, possible supply and removal of cooling water, compressed air provision, erection and installation of system and accessories, compliance with official regulation, etc.

The protection of gas generating plant and equipment against gas consumptions higher than its specified hourly output flow;

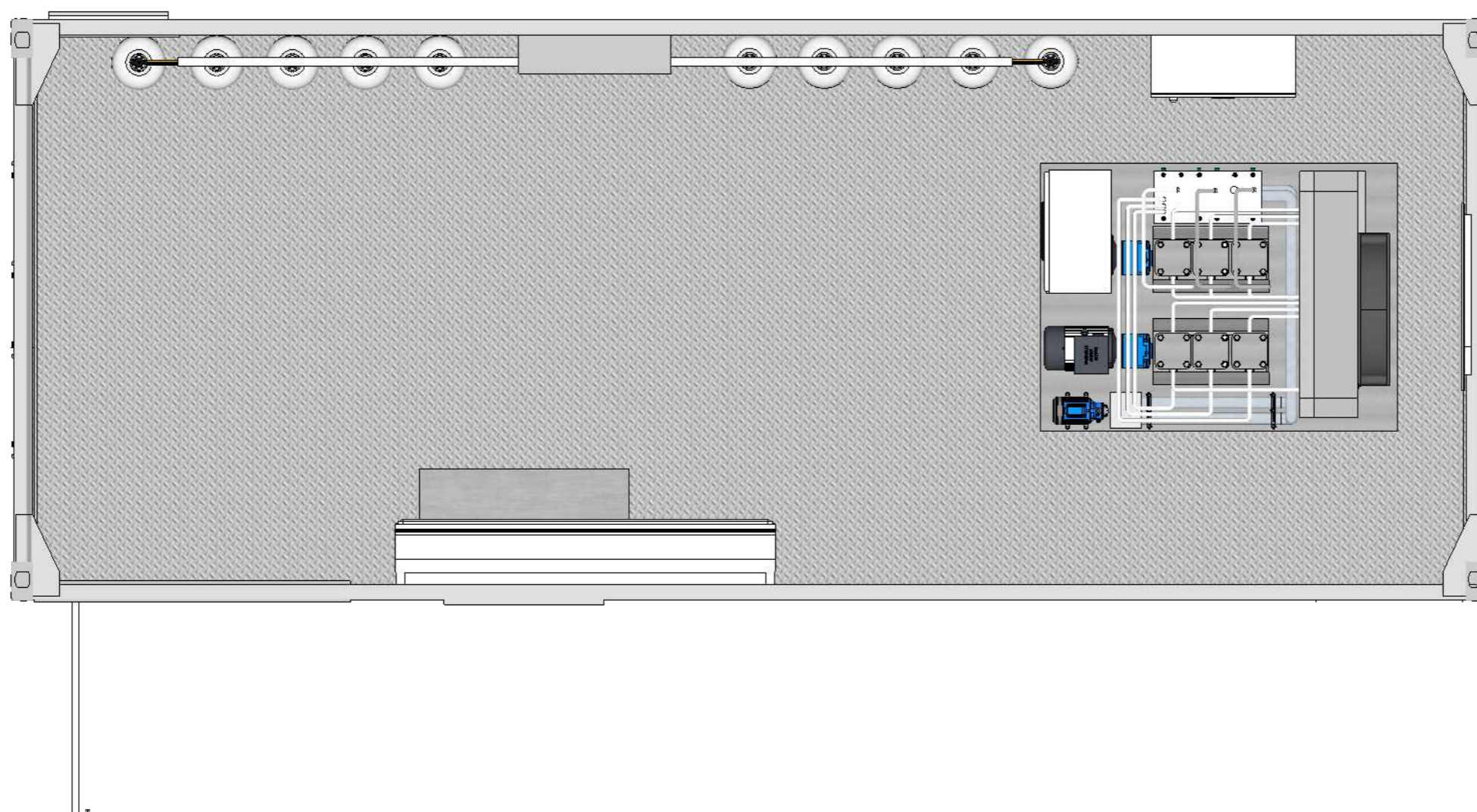
The protection of persons, plant and equipment against escaping gas, fire, explosion etc., in cases of defects;

The correct and safe extraction of gases, which might escape from compressor's and gas generating plant's safety valves in cases of disruption.



Address :
 BASKENT OSB 12 AVE N 9
 MALIKOY SINCAN ANKARA TURKEY
 www.amecindustries.com
 sales@amecindustries.com
 +903124287073

TOP



Oxygen Cylinder Filling System - ISO 20 Container

Capacity : 20 m³/h
Outlet Pressure : 150,0 bar(g)
Outlet Diameter : 1/4"
Power Supply : 380 - 400 / 50/ 3

Feed Oxygen Quality : 93% +/-3

Installation Requirements

Well ventilated and weather protected environment. Classified areas excluded.

The purchaser is to be responsible for the following in particular;

For correct operating conditions such as room-space, temperature, room-space ventilation, electrical power supply, correct condensate discharge, possible supply and removal of cooling water, compressed air provision, erection and installation of system and accessories, compliance with official regulation, etc.

The protection of gas generating plant and equipment against gas consumptions higher than its specified hourly output flow;

The protection of persons, plant and equipment against escaping gas, fire, explosion etc., in cases of defects;

The correct and safe extraction of gases, which might escape from compressor's and gas generating plant's safety valves in cases of disruption.



Address :
BASKENT OSB 12 AVE N 9
MALIKOY SINCAN ANKARA TURKEY
www.amecindustries.com
sales@amecindustries.com
+903124287073