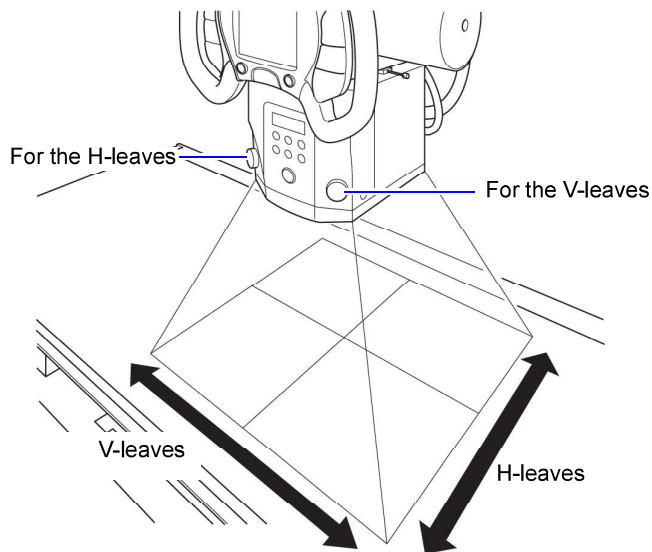



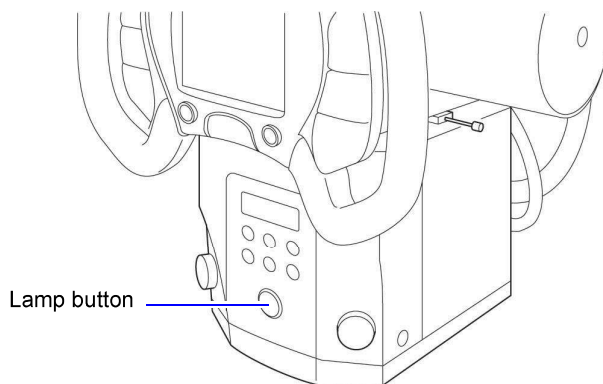
- 4 Adjust the irradiation field using the irradiation field adjustment knob.



 NOTE

It is possible to exchange the functions of the knobs at the right and left sides, and to set them to operate with the same turning directions as on other collimators manufactured by Shimadzu (the R-20J/R-30H and so on).  
The maximum size setting of the irradiation field can be changed.  
Contact your Shimadzu service representative before changing the settings.

- 5 Press the lamp button again.



The lamp goes out.

The lamp will go out automatically after the set amount of time even if you don't press the lamp button.