

Pumps: RBB 200-35CR 4C55 M181 1

Item:

**LIQUIDO**

Liquid	WASTEWATER		Liquid Temperature	20	
Liquid			Density	1,00	kg/dm <sup>3</sup>
Liquid	-		Kinematic Viscosity	1,0	mm <sup>2</sup> /s

**DESIGN PARAMETER**

Working Capacity	450,0	m <sup>3</sup> /h	Working Absorbed Power	48,79	kW
Working Head	30,2	m	Nominal Working Speed	1.480	1/min
Required Capacity	450,0	m <sup>3</sup> /h	Service	-	
Required Head	29,9	m	Suction Conditions	-	
Max. Capacity	950,0	m <sup>3</sup> /h	Geodetic Suction Head	-	
Min. Capacity	99,1	m <sup>3</sup> /h	Gauge Suction Pressure	0,00	bar
Max. Head	35,7	m	Minimum ambient temperature	-20	°C
NPSH available	0,00	m	Altitude of Installation	<1000 m ASL	
NPSHr (Required from the pump)	1,84	m			
Efficiency at Working Point	76,0				

**PUMP DETAILS**

Pump Standard	ISO 5199		Flange Face Finish	RF - Flanged with Raised Face	
Pump Designation	RB		Rated Impeller Trim	CR	
Pump Size	200-35		Impeller Type	Channel	
Pump Group	4		Rated Impeller Diameter	335	mm
Installation area	Safe Area		Maximum Impeller Diameter	359	mm
Atex Category	Safe Zone		Minimum Impeller Diameter	295	mm
Design Pressure	10	bar	Solids Free Passage [mm]	90	
Hydrostatic Test Pressure	15	bar	Casing Drain Hole	3/4 G	
Suction Port Diameter [DN]	250		Casing Venting Hole	1/2 G	
Discharge Port Diameter [DN]	200		Painting Cycle	STD-RAL5010-Poliacr.cat.	
Pump Flanges Norm	EN 1092 PN10		Pump RAL	5010	

**PUMPS EXECUTION**

Pump Configuration	Horizontal		Coupling Type	MFR Standard	
Pump Execution	On base With STD Flex. Coupl.		Coupling Spacer	Without Spacer	
Bearing Size/Arrangement	STD		Spacer length	0	mm
Bearing Lubrication Type	Oil		Motor Shaft diameter	65,0	mm
Bearing Housing Oil Capacity	1,95 l		Shaft Diameter Drive side	55	mm
Bearing Temp. Probes	Not Included		Baseplate Code Number	8	
Constant Level Oiler	Not Included		Base-Plate Drain Pan	Not Included	
Transmission Type	Flex Coupling				

**PUMPS MATERIALS**

Pump Casing Material	GJL 250 EN 1561		Wear Ring Material	EN1.4404-A351 CF3M-AISI 316L	
Impeller Material	GJL 250 EN1561		Gasket Main Material	SIL C-4400	
Shaft Material	EN10083 - C45		Base-Plate Material	Carbon Steel	
Shaft Sleeve material	Aisi 420		Coupling Material	Cast Iron	
Wear Plate Material	Not Present				

**MECHANICAL SEALS**

Seal Execution	M (Standard) (Single Seal)		Cartridge Type	-	
Mechanical Seal Nominal Diamet	70	mm	Cartridge Seal Brand	-	
Seals Supply	Included		Cartridge Internal Code	999	
Mech. Seal Type (Pump Side)	UN L4K		Cartridge Seal	-	
Mech. Seal Pump Side Brand	Uniten		API PLAN	02 (Dead end)	
MFR Internal Mech. Seals Code	181		Plan Pipes material	N.A.	
Mechanical Seal Pump Side	SIC/SIC/VITON		Flushing Pressure	Ext. Flushing not required	
Mech. Seal Pump Side Pin	Not Present		Flushing Tank	Not Present	
Mech. Seal Type (Flush. Side)	-		Flushing Tank Supply	Tank Not Included	
Mech. Seal Motor Side Brand	-				
Mechanical Seal Motor side	-				
Mech. Seal Motor Side Pin	Not Available				

**EXTRA**

Heating/Cooling Casing Chamber	Not Present		Pump Casing Treatments	Not Present	
Seal Heating Jacket	Not Present		Pump Impeller Treatments	Not Present	
Heat Exchanger	Not Present		Special Pump Treatments	Not Present	
			Special Casing Execution	Not Present	

**MOTOR**

Electric Motor Brand	SEIPEE		Motor Class Tolerances	NO - Standard Class	
El. Motor Serie	GM		Additional Fan Cooling	-	
Electric Motor Poles	4		Motor Roof	-	
Motor Power	55,00	kW	PT100 Probes	-	
Motor Size	250M		Auxiliary Electric Box	-	
El. Motor Flange Diameter	550		Motor Heaters	-	
Electric Motor Supply	Included		Heaters Voltage [V]	-	
El Motor Standard/Customized	Standard		Working Temp. < -20°C	-	
Motor Category	IEC (not ATEX)		Working Temp. >40°C	-	
Std. Electric Motor Brand	SEIPEE		Motor Casing Material	Cast Iron	
Nominal Motor Frequency	50	HZ	Downsized Motor	-	
Operating motor voltage	400/690		Derated Engine Power	-	kW
Motor Efficiency Class	IE3		Additional Label	-	
Motor Shape	B3		Insulated Ball Bearing for VFD	-	
Motor Protection	IP55		Motor Extras	-	
Insulation Class	F		Extras	-	
PTC	Included		Extras	-	
Number of PTC Required	-		Extras	-	
Max Frequency (Inverter Use)	60		Extras	-	
Min. Frequency (Inverter Use)	30				

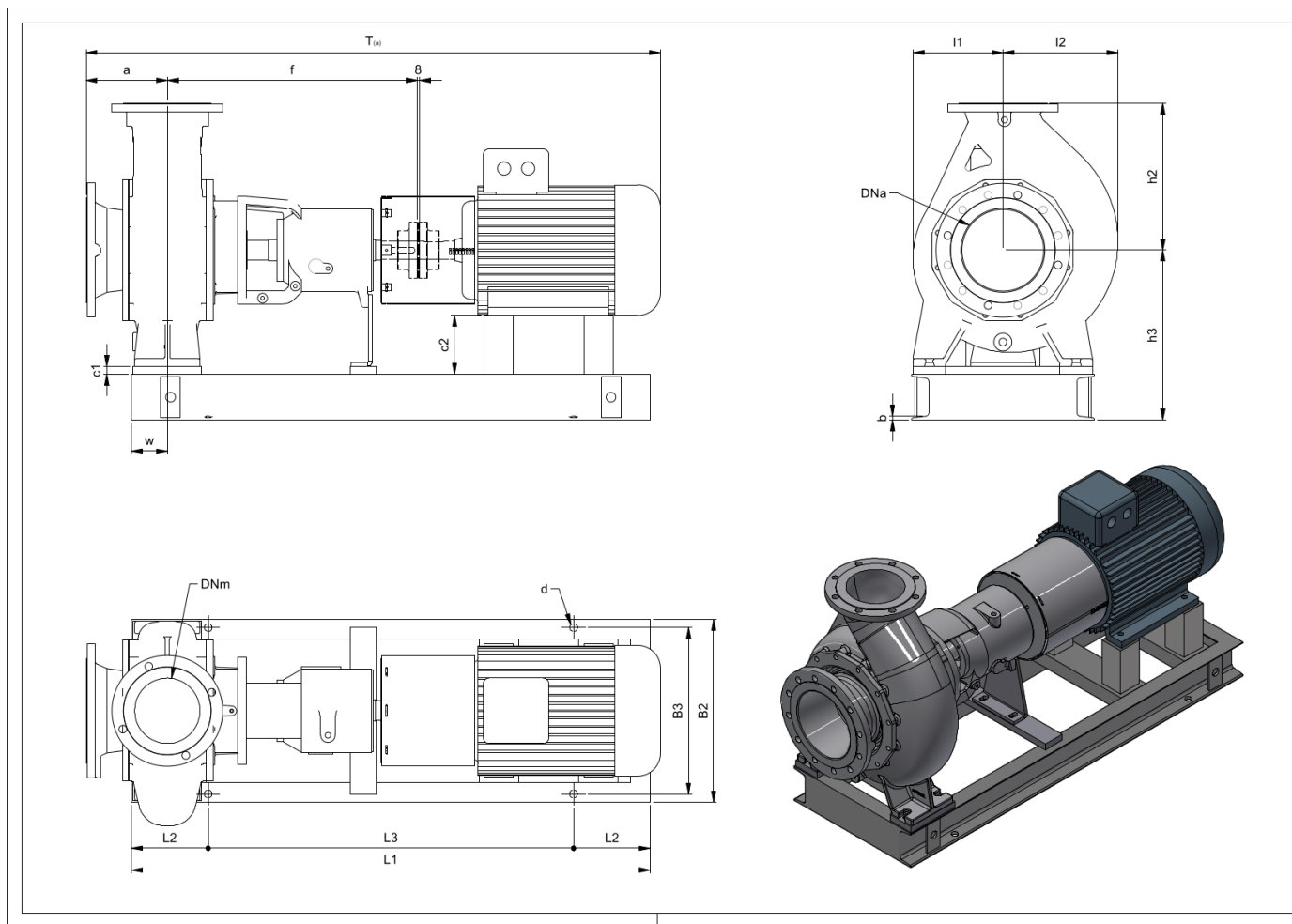
**TEST AND CERTIFICATES**

Food Certificate	No Certification Issue		NPSH Test	No Certification Issue	
ATEX Declaration of Conformity	No		Noise Test	No Certificate Issue	
Impeller Balancing Certificate	No Certificate Issue (P-1006)		Painting Check	No Certificate Issue	
CE Declaration of Conformity	Yes		Certificate of Quality	No	
Drawing Acc.To Customer Spec.	No		End Supply Certification Book	No	
Certificate of Warranty	No		Performance Test (Q-H-P)	No Certificate Issue	
Hydrostatic Test	No Certificate Issue (P-1005)		Visual a Dimensional Check	No Certificate Issue (P-1012)	
Inspection and Test Plan	No		Vibration Test	No Certificate Issue	
Material Certificate	-		Working Conformity Certificate	No Certification Issue	
Mechanical Running Test	No Certification Issue		Preferential Origin	Not Included	

## CONFIDENTIAL AGREEMENT

NO PART OF THIS REPORT MAY BE REPRODUCED AND TRANSMITTED IN ANY FORM OR ANY MEANS WITHOUT PRIOR WRITTEN PERMISSION OF SR pumps.  
THIS DOCUMENT MAY BE USED ONLY AS A PIECE OF CONFIDENTIAL TECHNICAL REFERENCE AND NEVER AS AN OFFICIAL DOCUMENT AGAINST SR pumps INTEREST.

**NOTE:**



Serie	Size	Mot. Size	a	f	h3	h2	L1	L2	L3	B2	B3	w	d	b	c1	c2	l1	l2	T(a)	Weight
RB	200-35	250M	250,00	712,00	520,00	450,00	1.590,0	235,00	1.120,0	560,00	510,00	110,00	24,00	13,00	25,00	130,00	275,00	352,00	1.850,0	866,00

(\*) Lunghezza e peso possono variare in funzione della marca del motore  
 (\*) Length and weight may vary, it depends by the motor brand

Curve n.: T-1742	Max Diameter (mm): 359	Min Diameter (mm): 290	Sel. Diameter (mm): 335	Material: CAST IRON
Flow (m3/h): 450,0000	Head (m): 30,230000	Power (kW): 48,790000	Efficiency (%): 75,9800	NPSH (m): 1,840000
Density (kg/dm3): 1,00000	Viscosity (cSt): 1,0000000	Fluid: Non Specificato	NS: 45	SSS: 309
				GD2: 0
				Impeller Type: MULTI_CHANNEL

