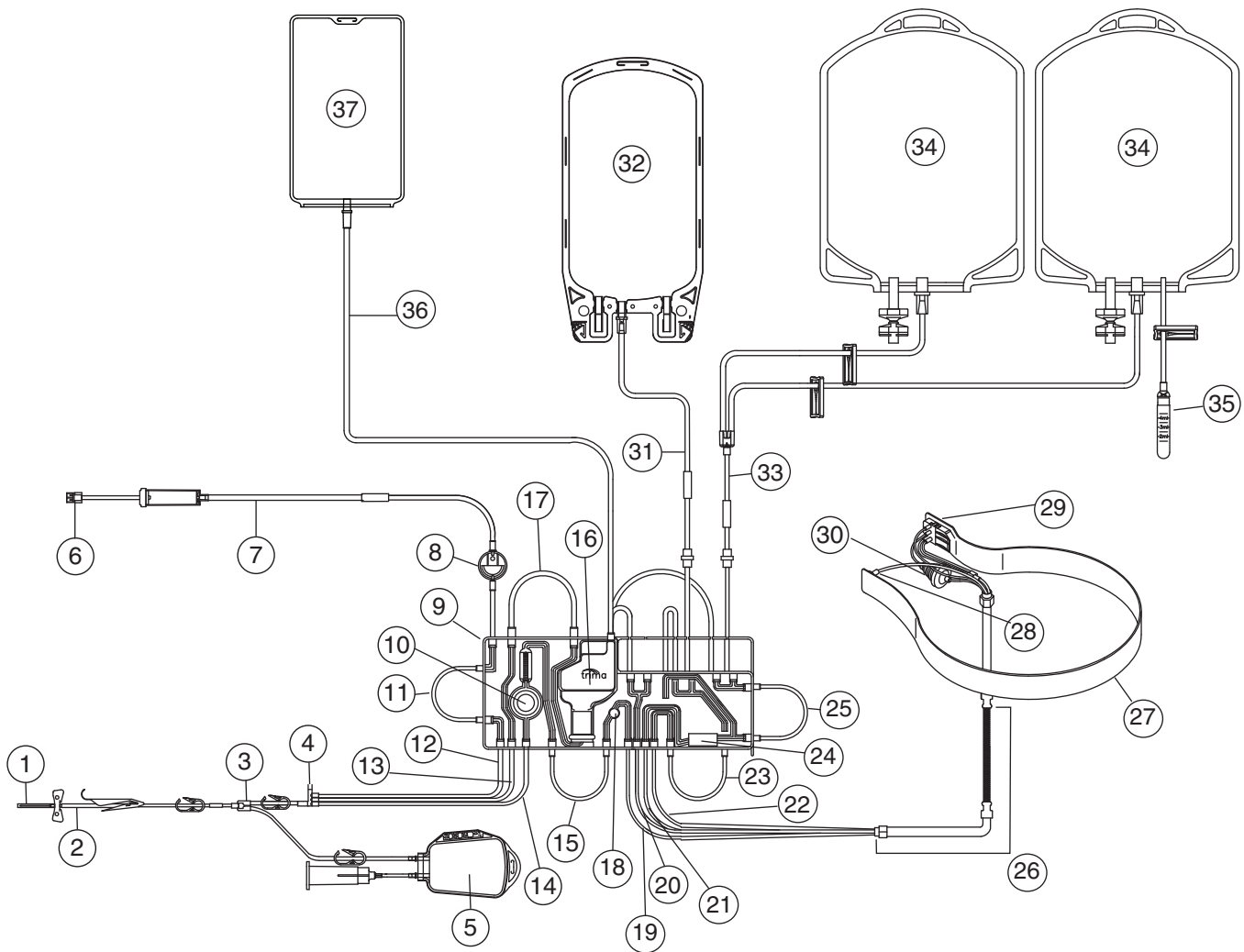


Put cursor on number  
or click for description

## Trima Accel® LRS® Platelet, Plasma Set Catalog No. 82300



- |   |                                  |                             |
|---|----------------------------------|-----------------------------|
| 1 Needle                                  | 13 Return line                   | 26 Centrifuge loop          |
| 2 Donor line                              | 14 Draw line                     | 27 Channel                  |
| 3 Sample bag manifold                     | 15 Inlet pump header             | 28 Inlet port               |
| 4 Anticoagulant (AC)/draw/return manifold | 16 Return reservoir              | 29 Collection chamber       |
| 5 Sample bag                              | 17 Return pump header            | 30 LRS chamber              |
| 6 AC luer                                 | 18 Centrifuge pressure sensor    | 31 Plasma collect line      |
| 7 AC line                                 | 19 Inlet line to centrifuge      | 32 Plasma bag               |
| 8 Sterile barrier filter                  | 20 RBC line from centrifuge      | 33 Platelet collect line    |
| 9 Cassette                                | 21 Platelet line from centrifuge | 34 Platelet bag             |
| 10 Draw/return pressure diaphragm         | 22 Plasma line from centrifuge   | 35 Platelet product sampler |
| 11 AC pump header                         | 23 Plasma pump header            | 36 Vent bag line            |
| 12 AC line                                | 24 Cassette label                | 37 Vent bag                 |
|   | 25 Platelet pump header          |                             |

**Trima Accel<sup>®</sup> LRS<sup>®</sup> Platelet, Plasma Set**  
**Catalog No. 82300**  
**Part Descriptions**

1. **Needle** – used to perform venipuncture. The needle is covered by a needle guard.
2. **Donor line** – provides access to the donor for draw and return.
3. **Sample bag manifold** – the connection for the draw line (14) and the sample bag (5) line.
4. **Anticoagulant (AC)/draw/return manifold** – consists of the access to the injection site and the connections for the AC line (12), the return line (13), and the draw line (14).
5. **Sample bag** – used for the collection of blood samples from the donor and the diversion of the first aliquot of blood.
6. **AC luer** – used to connect AC to the AC line (7).
7. **AC line (with orange tubing)** – carries AC from the AC bag to the cassette (9).
8. **Sterile barrier filter** – a 0.2-micron filter that prevents bacteria from entering the system, thereby maintaining a functionally closed environment for the collection of blood components.
9. **Cassette** – guides the flow of blood and products through the tubing set.
10. **Draw/return pressure diaphragm** – allows the draw/return pressure sensor to monitor pressure at the donor access site.
11. **AC pump header** – the tubing segment that fits into the AC pump.
12. **AC line** – carries AC from the cassette (9) to the AC/draw/return manifold (4).
13. **Return line** – carries blood components back to the donor.
14. **Draw line** – carries anticoagulated whole blood into the tubing set.
15. **Inlet pump header** – the tubing segment that fits into the inlet pump.
16. **Return reservoir** – holds uncollected components for return to the donor. Contains a return filter (200 micron) to prevent the return of microaggregates to the donor.
17. **Return pump header** – the tubing segment that fits into the return pump.
18. **Centrifuge pressure sensor** – detects high pressure in the centrifuge.
19. **Inlet line to centrifuge** – carries blood to the centrifuge.
20. **RBC line from centrifuge** – carries red blood cells from the centrifuge for return to the donor.
21. **Platelet line from centrifuge** – carries platelets from the centrifuge for collection or return to the donor.

22. **Plasma line from centrifuge** – carries plasma from the centrifuge for collection or return to the donor.
23. **Plasma pump header** – the tubing segment that fits into the plasma pump.
24. **Cassette label** – used by the Trima Accel system RBC detector to identify a tubing set as capable of collecting Platelet products.
25. **Platelet pump header** – the tubing segment that fits into the platelet pump.
26. **Centrifuge loop** – consists of the following:
  - Four-lumen tubing – carries fluid into and out of the channel.
  - Sleeves – used to reinforce the tubing at flex points.
  - Collars – used to secure the two ends of the loop in the centrifuge.
  - Bearings – the contact points between the centrifuge arm and the loop.
27. **Channel** – contains blood components as they are separated.
28. **Inlet port** – routes incoming blood into the channel.
29. **Collection chamber** – routes separated blood components to the appropriate collect lines.
30. **LRS chamber** – leukoreduces collected platelets.
31. **Plasma collect line** – carries the collected plasma to the plasma bag (32).
32. **Plasma bag** – 1 L bag that holds collected Plasma product.
33. **Platelet collect line** – carries the collected platelets to the platelet bag (34).
34. **Platelet bag** – the bag where the collected platelets are stored. The bag is made from PVC with a citrate plasticizer.
35. **Platelet product sampler** – used for product quality testing.
36. **Vent bag line** – carries displaced air to and from the vent bag (37).
37. **Vent bag** – holds displaced air from the system.