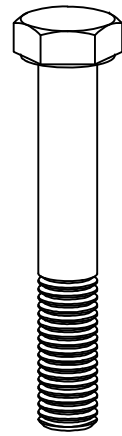


# Components

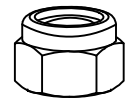
56x 80x

**Set 2002717** 3x support  
0.8 kN/m<sup>2</sup>

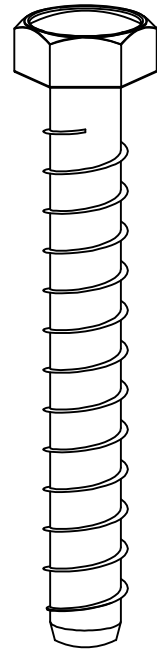
**Set 2002780** 5x support  
1.3 kN/m<sup>2</sup>



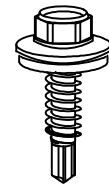
**2002410**  
Hexagon bolt  
M10x60  
27x 45x



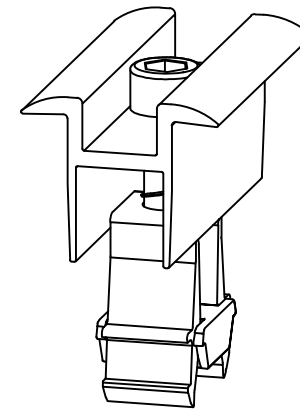
**1002849**  
Self-locking  
hexagon nut M10  
27x 45x



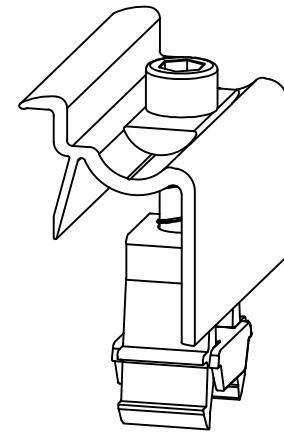
**2002627**  
Multi Monti  
14x110  
6x 10x



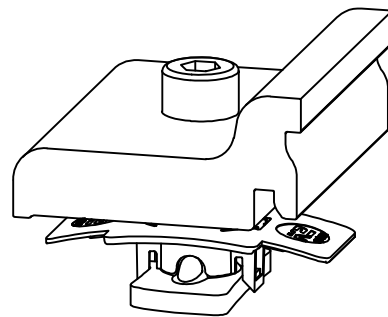
**1001051**  
Self-tapping screw  
5.5x25  
40x 42x



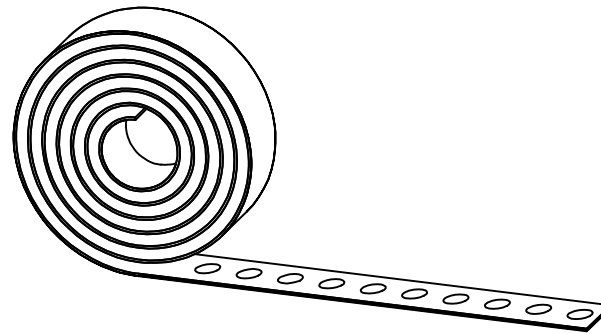
**2002515**  
OneMid  
32- 42 mm  
28x 28x



**2002514**  
OneEnd  
32- 42 mm  
8x 8x



**2001626**  
Climber 63 Set  
12x 20x

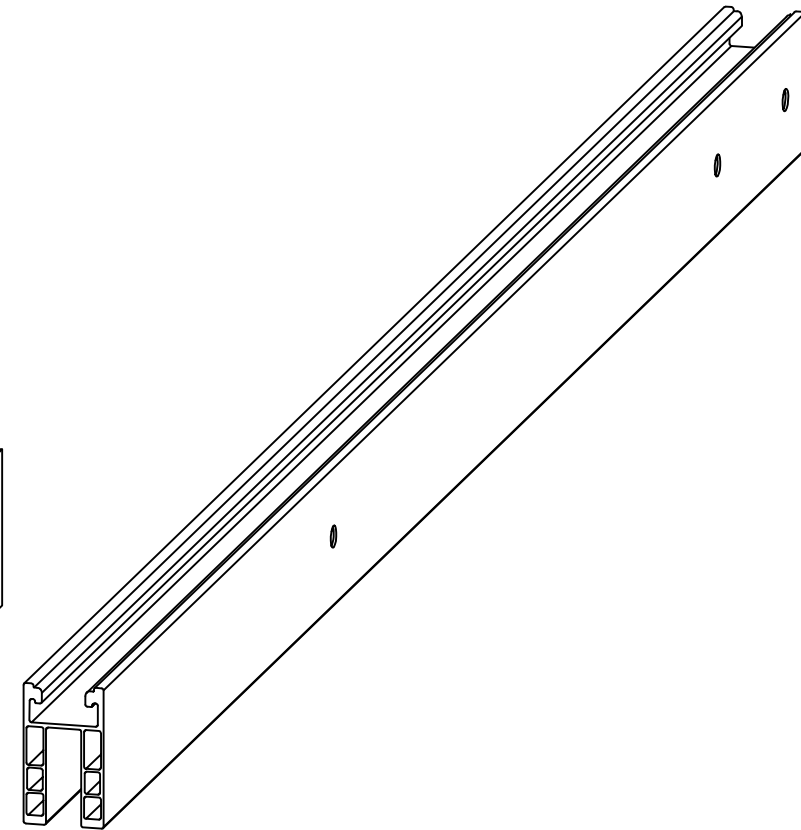
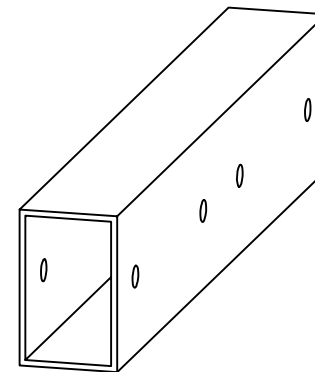
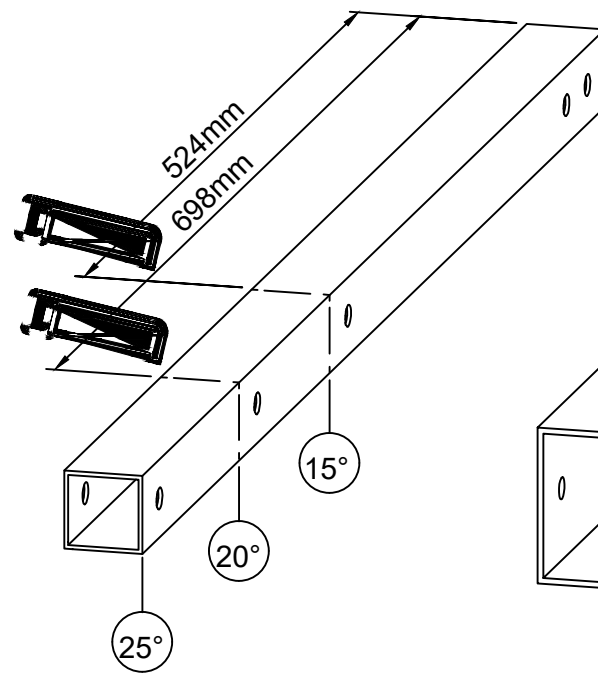
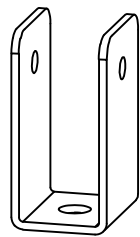
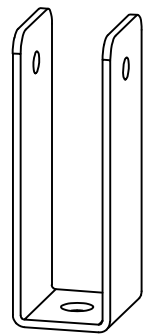


**2002735**  
Perforated tape  
10 m 10 m

! 

56x	80x
-----	-----

<b>Set 2002717</b>	<b>Set 2002780</b>
3x support	5x support
0.8 kN/m <sup>2</sup>	1.3 kN/m <sup>2</sup>



**2002582**  
Foot Front  

3x	5x
----	----

**2002583**  
Foot End  

3x	5x
----	----

**2002599**  
Connector  
Cross-Tie  

6x	10x
----	-----

**2002602**  
Cross-Tie  
· 25° no sawing  
· 20° sawing at 698 mm  
· 15° sawing at 524 mm  

3x	5x
----	----

**2002516**  
Rail Connector  
CrossBar 3.0  

3x	5x
----	----

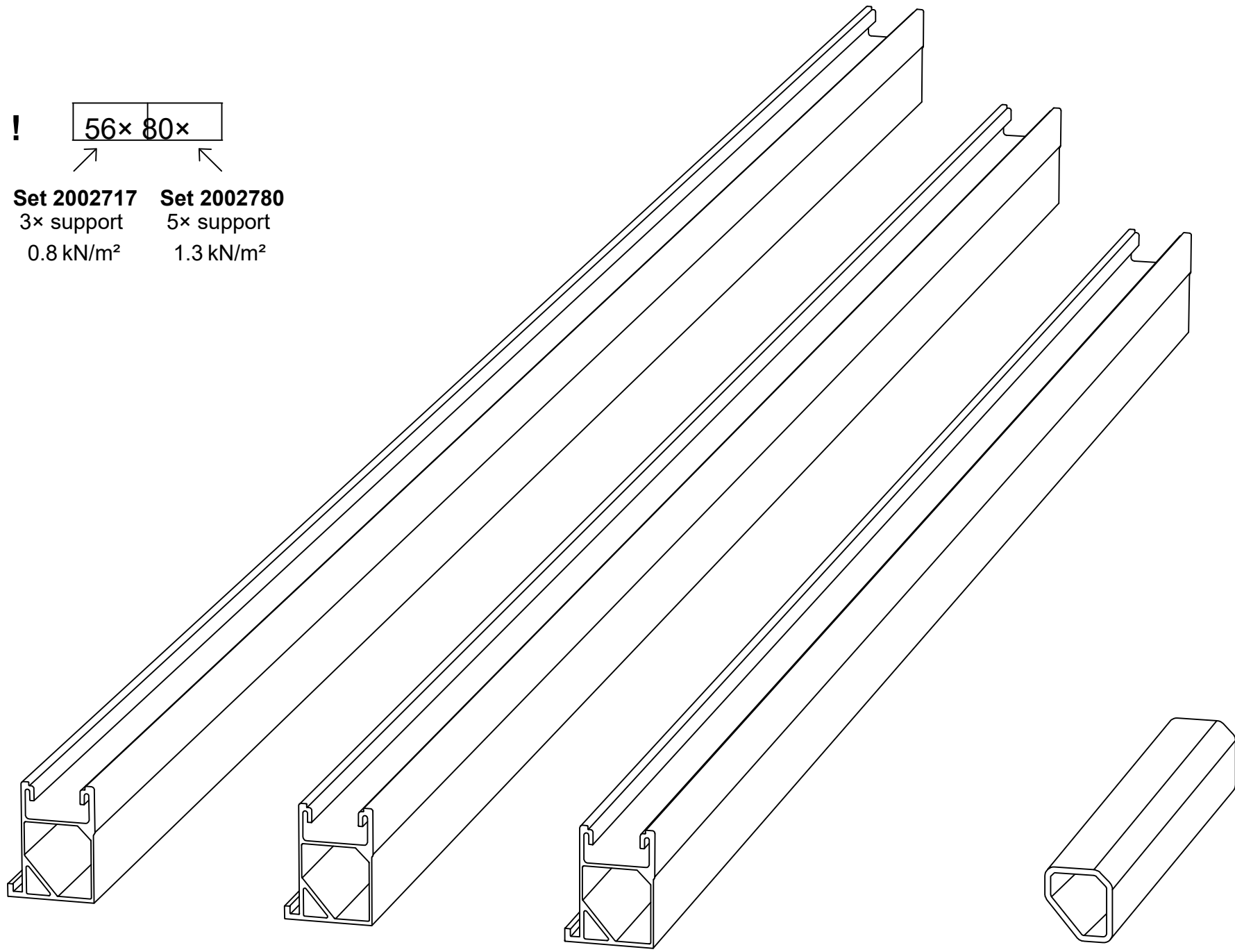
**2002584**  
CrossBar 3.0  

6x	10x
----	-----

! 

56x	80x
-----	-----

**Set 2002717**   **Set 2002780**  
3x support   5x support  
0.8 kN/m<sup>2</sup>   1.3 kN/m<sup>2</sup>



**2002580 / 2002784**  
SingleRail63;  
1.90 / 2.0 m  

8x	8x
----	----

**2002579 / 2002785**  
SingleRail 63;  
1.60 / 1.72 m  

8x	8x
----	----

**2002578 / 2002786**  
SingleRail 63;  
1.30 / 0.87 m  

4x	4x
----	----

**2001297**  
Rail Connector  
SingleRail 63  

16x	16x
-----	-----