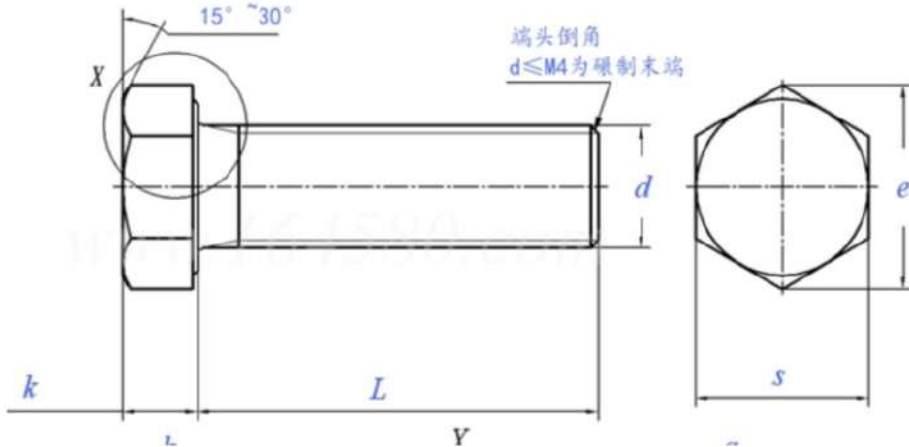


Nanjing Jingning Quality Inspection Company

TEST REPORT

- 1.TEST DATE: January 6 th,2020
- 2.NUMBER OF SAMPLES TESTED: 50 PCS
- 3.APPLICABLE STANDARD: DIN933 Bolt, class -5.8 zinc plated 20x70 (156098)
- 4.INSPECTOR:LIJUN

DIN933 Bolt, class -5.8 zinc plated 20x70 (156098)



Items	d(mm)		k(mm)		s(mm)	
	Standard	Testing result	Standard	Testing result	Standard	Testing result
20x70	19.623-19.958	ACC	12.28-12.5	ACC	29.67-30	ACC

Items	Tensile Strength	
	Standard (kN)	Testing result
20x70	103	ACC

REMARK:

1.Test results are in accordance to the standard indicated.

2.ACC-Accept; REJ-Rejected

Material: Q195

Chemical composition & Technical specification

Element	C%	Si%	Mn%	P%	S%
20x70 Ratio	0.16~0.18	0.15~0.21	0.36~0.46	0.018~0.034	0.014~0.018

