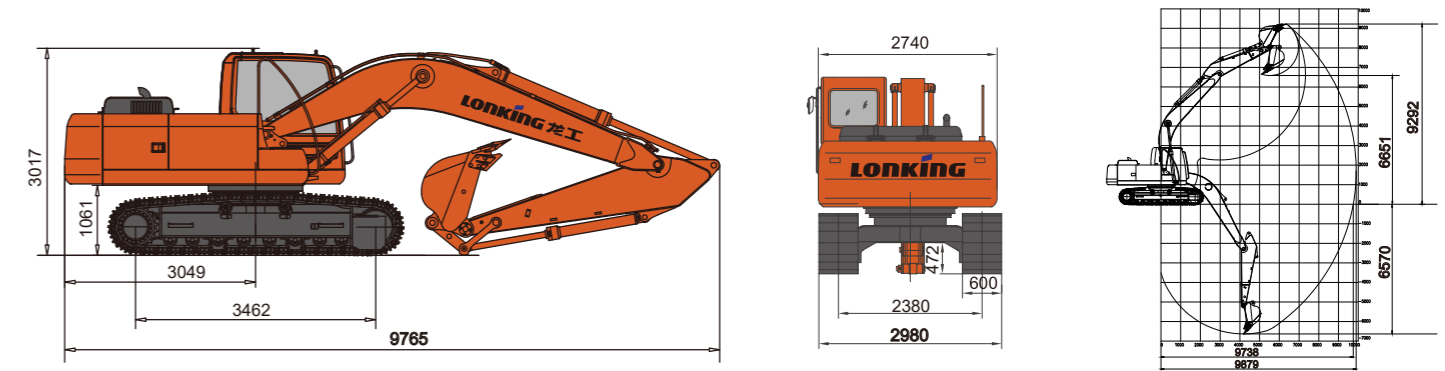


Code:10602255885

# CDM6225E HYDRAULIC EXCAVATOR



- OPERATING WEIGHT: 21800kg
- ENGINE POWER: 124kW
- BUCKET CAPACITY: 1.1m<sup>3</sup>
- TRAVEL SPEED: 3.0/5.2km/h



### TECHNICAL PARAMETERS

Name		Data
Basic	Operating weight	21800 kg
	Boom length	5675 mm
	Arm length	2920 mm
	Standard bucket	1.1 m <sup>3</sup>
	Max.Travel speed	3.0/5.2 km/h
	Max.Swing speed	11.8 rpm
	Grade ability	35°(70%)
	Ground pressure	45 kPa
Engine	Max.Traction force	205 kN
	Engine model	QSB6.7
	Rated power	124 kW/2000 rpm
	Max.Torque	658/1200-1800 N.m/rpm
	Displacement	6.7 L
Hydraulic	Fuel tank	400 L
	Max.Flow(total)	234×2 L/min
	Max.Working pressure	35 Mpa
	Max.Pilot pressure	3.9 Mpa
	Max.Arm digging force	107 kN(ISO)
	Max.Bucket digging force	142 kN(ISO)
Chassis	Hrdraulic oil tank	256 L
	Track width	600 mm
	Track shoes number	47( each side)
	Carrier rollers number	2( each side)
Electric	Track rollers number	8( each side)
	System voltage	24 V
	Battery capacity	24 V,120 Ah×2

### CONFIGURATION

Name	Manufacturer
Engine	Cummins(DECE)
Main valve	Lonking
Main pump	Lonking
Swing motor	Lonking
Travel motor	Lonking
Electric system	Lonking

### OPTIONAL

Breaking hammer & pipeline
Work warning light
Walking alarm
MP3
Top protecting net
Front protecting net
700mm triple grouser shoes
800mm triple grouser shoes
Track rubber block

### PRODUCT FEATURES

Cummins HPCR Electronically Controlled Engine. Stable & Reliable, Fuel-efficient
Three-stage Air & Fuel Filtering System
Charge air Cooling System with Parallel Radiator
Advanced Positive Control System, More Accurate Control & Higher Sensitivity
7 inch LCD Display with Multi Purpose
Camfortable ROPS Cabin with 2.7m <sup>3</sup> Operational Space
No Frame Cab Glasses to Enlarge Operation Field of View
Heavy-duty Working Device with High Strength Low Alloyed Steels