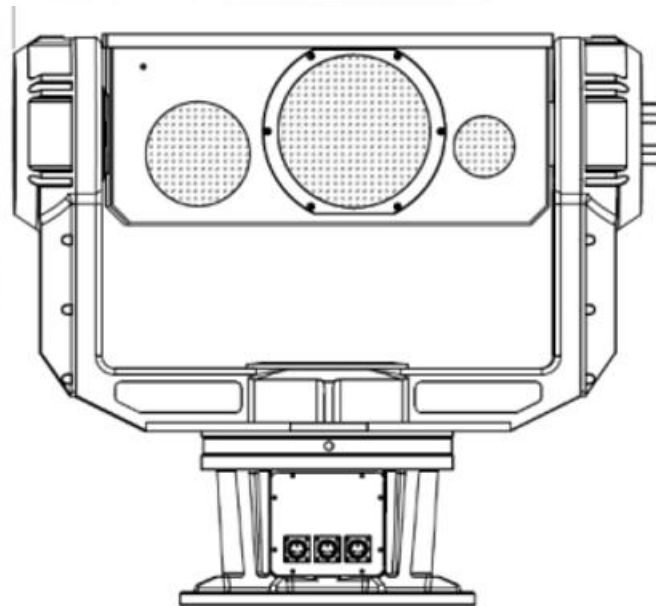


APPLICATIONS:
Border control & observation

OPTIX PNX ART Pan/Tilt Unit

The Pan/Tilt device **OPTIX PNX ART** provides highly precise positioning of the attached surveillance or measurement sensors in the desired direction, along with reliable operation, ensuring accurate alignment of the sensor axes. OPTIX PNX ART Pan/Tilt device will be able to operate continuously without failure while exposed to direct sunlight, precipitation (snow, light rain) and when is coated with ice for a period of at least 10 hours. Penetration of rain, snow and so on is prevented.



Technical parameters

Pan angle	n x 360° (continuous)
Azimuth speed range	maximum 90°/sec min 0.002°/sec
Altitude speed range	maximum 90°/sec min 0.002°/sec
Position accuracy	0.001°
Gyro Stabilized	Stability accuracy-2mrad (RMS), two-axis gyro stabilized
Power supply	24 VDC (nominal), 230 VDC
Power consumption	< 50 W
Management	up to 3 sensors
Load capacity	15 kg
Operating temperature	-40°C to +70°C
Storage temperature	-40°C to +70°C
IP rating	IP65
Relative humidity	up to 95%
Weight	17 kg

Note:

Images are for illustrative purposes only.

Due to the company's continuous growth, innovative approach and flexibility, OPTIX reserves the right to change specifications.