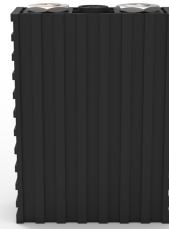
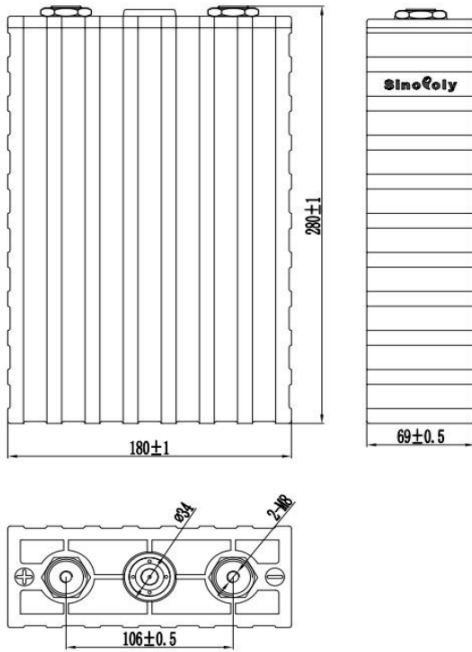


200AHA Sinopoly Vs Winston 160AH

No	Discription		Sinopoly	Winston 160AH
1	Inner resistance		0,25	0,4
2	Standard charge/discharge current		1C	0.5C
3	Max discharge current		3C	3C
4	Weight		5.5±0.2Kg	5.7Kg±200g
5	Size	Length	180±1mm	209mm
		Height	278mm±1mm	278mm
		Thickness	69±0.5mm	65mm

Sinopoly 200AH cell:



Winston 160AH cell:

