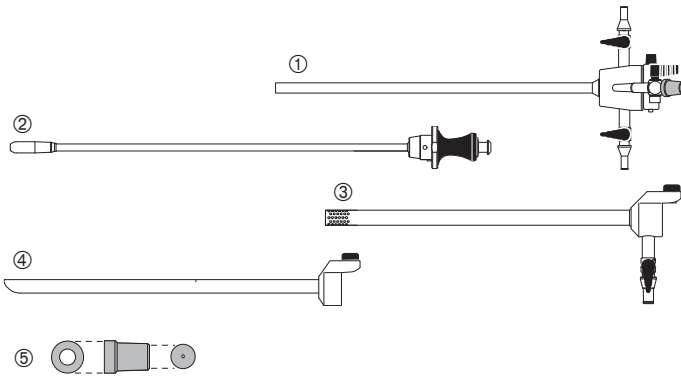


**Telescope**


**WA2T412A** Telescope "OES ELITE",  
4 mm, 12°,  
HD, autoclavable  
*Delivery includes: protective tube WA2P400A.*

**Sheaths**


- ① **A3551** Sheath, 22 Fr.,  
for urethrotome
  - 4 Fr. channel
  - With obturator A3560

---

- ② **A3560** Obturator,  
for A3551, 4 Fr. channel

---

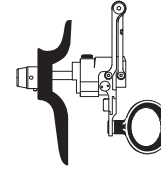
- ③ **A3552** Outer sheath,  
26 Fr., for A3551
  - For percutaneous access

---

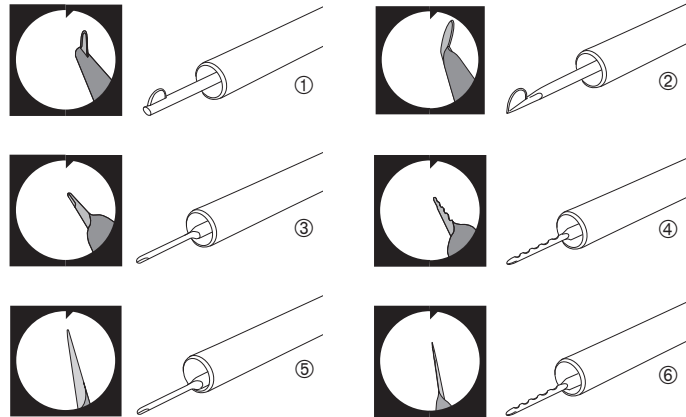
- ④ **A3554** Insertion sleeve,  
for A3551
  - For balloon catheter of max. 18 Fr.
  - For difficult anatomy to remain access to the bladder while instrument is withdrawn.

---

- ⑤ **00131** Sealing cap, 0.7 mm, 10 pieces
  - Reusable/non-sterile

**Working Element**


**A3550** Working element,  
for A3551

**Knives for Urethrotomy**


- ① **A3556** Knife,  
semi-circular,  
4 Fr. channel,  
for A3550
  - Knife A3556 must be used in combination  
with a 3 or 4 Fr. ureter catheter.

---

- ② **A3558** Knife,  
semi-circular,  
for A3550

---

- ③ **A3555** Knife,  
lancet type,  
for A3550

---

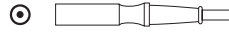
- ④ **A3557** Knife,  
corrugated,  
for A3550

---

- ⑤ **WA35055A** Knife,  
lancet type, straight

---

- ⑥ **WA35057A** Knife,  
corrugated, straight

**Monopolar HF Cables**


**A0393** HF cable, monopolar  
Compatible HF units:

- ESG-400
- ESG-410
- Valleylab (new)

**A0392** HF cable, monopolar  
Compatible HF units:

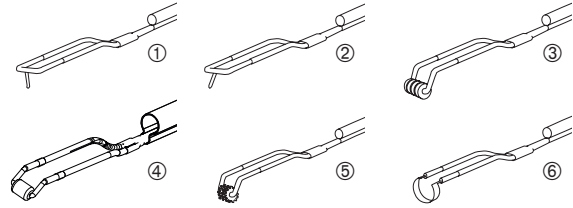
- ESG-400
- ESG-410
- Erbe T series
- Berchtold

**Compatible Resection Sheaths**

24 Fr.	26 Fr.	28 Fr.	
26 Fr.	28 Fr.		
27 Fr.			
<b>A22041A/T</b>	<b>A22042A/T</b>	-	Compatible resection sheaths
<b>A22040A/T</b>	-	-	

**Sterile, Single-Use HF-Resection Electrodes**

STERILE



24 Fr.	26 Fr.	28 Fr.
26 Fr.	28 Fr.	
27 Fr.		

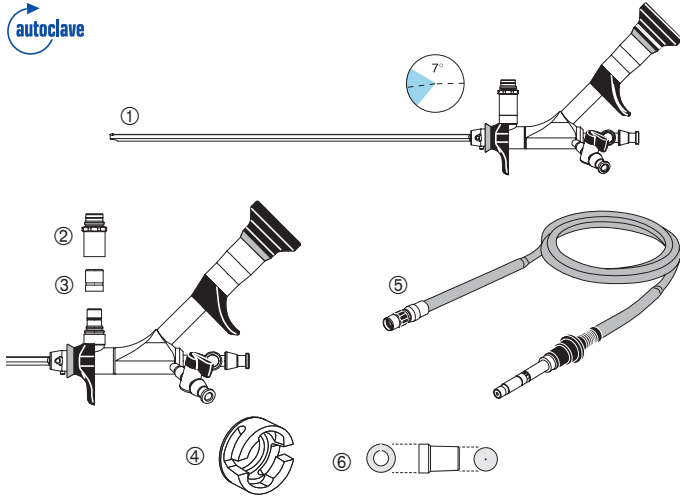
①	<b>A22253C</b>	<b>A22253C</b>	<b>A22253C</b>	HF-resection electrode, 90° needle, 12°
②	<b>A22255C</b>	<b>A22255C</b>	<b>A22255C</b>	HF-resection electrode, 45° needle, 12° and 30°
③	<b>A22257C</b>	<b>A22257C</b>	<b>A22257C</b>	HF-resection electrode, cylinder, with grooves, for vaporization, 12° and 30°, titanium
④	<b>A22266C</b>	<b>A22266C</b>	<b>A22266C</b>	HF-resection electrode, cylinder, 12° and 30°
⑤	<b>A44728C</b>	<b>A44728C</b>	<b>A44728C</b>	HF-resection electrode, cylinder, with spikes, 12° and 30°
⑥	<b>A22221C</b>	-	-	HF-resection electrode, band, for vaporization, 12°

12 pieces, sterile, single use

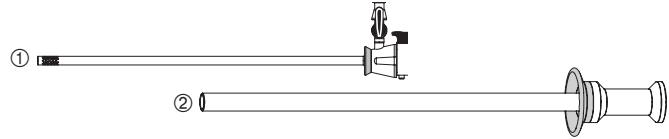
Please refer to your local registration for availability.

**OP Telescope**

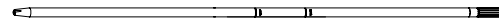
autoclave



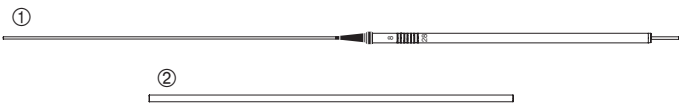
- ① **A37025A** OP telescope, 7°, 11 Fr. x 220 mm, 7.5 Fr. channel, angled ocular  
*OP telescopes are delivered with instrument tray A05961A.*
  - Up to 6 Fr. passage
- ② **A0460** Light-guide adapter, for OES 4000 light-guide cables
- ③ **00332** Light-guide adapter, for Wolf light-guide cables
- ④ **WA37025B\*\*** Adapter, meatus stopper, for A37025A
- ⑤ **WA03300A** Light-guide cable, 2.8 mm, 3 m, CF type
- ⑥ **A0387** Sealing cap, 0.7 mm, black, 10 pcs.
  - Reusable/ non-sterile

**Nephroscope Sheath**

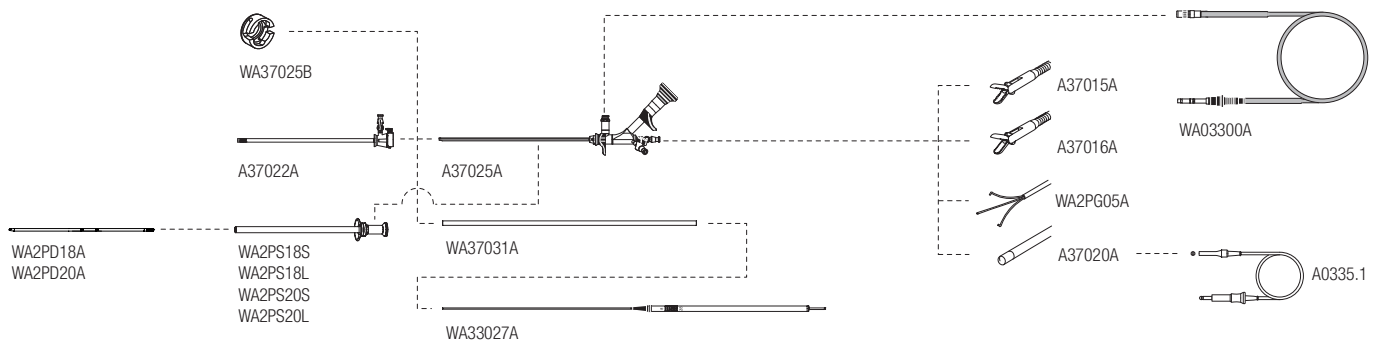
- ① **A37022A** Outer sheath, 15.9 Fr., fixed, includes guiding tube WA37031A
- ② **WA2PS18S** Sheath, 18 Fr., 130 mm
- WA2PS18L** Sheath, 18 Fr., 160 mm
- WA2PS20S** Sheath, 20 Fr., 130 mm
- WA2PS20L** Sheath, 20 Fr., 160 mm

**Mini-PCNL Dilators**

- WA2PD18A** Dilator, 15 Fr., for 18 Fr. sheath, 390 mm
  - single-step, dual lumen
- WA2PD20A** Dilator, 17 Fr., for 20 Fr. sheath, 390 mm
  - single-step, dual lumen

**Bougie Set**

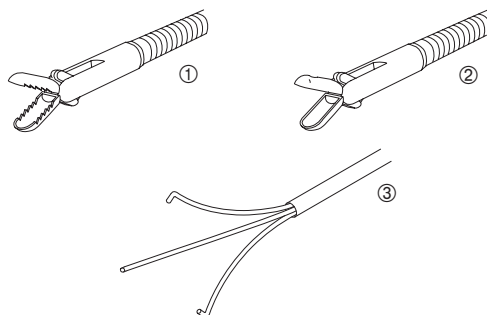
- ① **WA33027A** Bougie tubes, set 9 – 28 Fr.
- ② **WA37031A** Guiding tube, for WA33027A  
*Adapts bougie tubes WA33027A to nephroscope sheath A37022A.*

**System Chart**

# Mini-Nephroscope

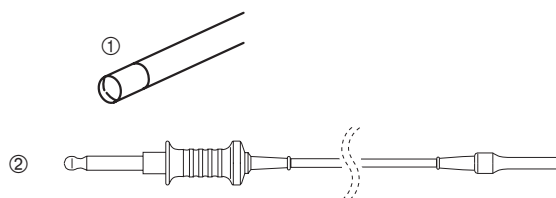
(cont.)

## Semi-Flexible Hand Instruments



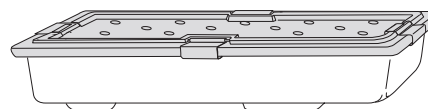
- |   |                 |   |
|---|-----------------|---|
| ① | <b>A37015A</b>  | Grasping forceps, 5 Fr. x 340 mm, semi-flexible |
| ② | <b>A37016A</b>  | Biopsy forceps, 5 Fr. x 340 mm, semi-flexible   |
| ③ | <b>WA2PG05A</b> | Grasping forceps, three-nail, 5 Fr. x 340 mm    |

## HF Electrode



- |   |                  |   |
|---|------------------|---|
| ① | <b>A37020A**</b> | HF electrode, button, 3 Fr. x 370 mm, flexible <ul style="list-style-type: none"> <li>▪ Reusable/ non-sterile</li> </ul>                              |
| ② | <b>A0335.1</b>   | HF cable, monopolar<br>Compatible HF units: <ul style="list-style-type: none"> <li>▪ ESG-400</li> <li>▪ ESG-410</li> <li>▪ Valleylab (new)</li> </ul> |

## Instrument Tray



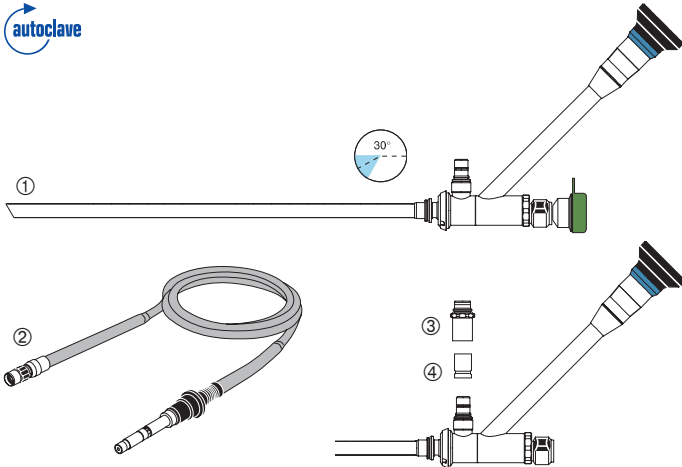
- |                |                                   |
|----------------|-----------------------------------|
| <b>A05961A</b> | Instrument tray, for OP telescope |
|----------------|-----------------------------------|

For plastic instrument trays, see page 649.

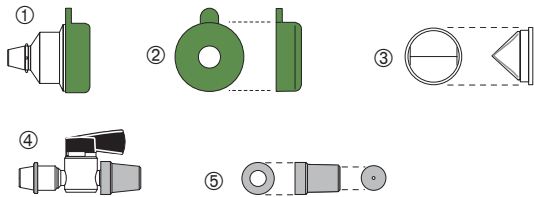
## Cleaning Adapter



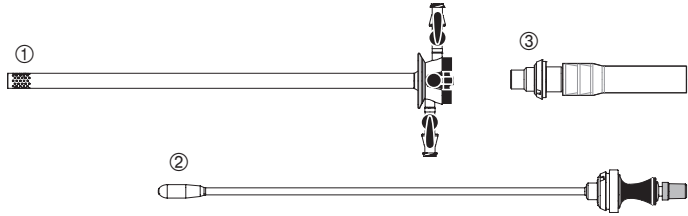
- |                 |   |
|-----------------|---|
| <b>WA0401CA</b> | Cleaning adapter, for hand instruments without Luer-lock connector <ul style="list-style-type: none"> <li>▪ Compatible to semi-flexible hand instruments</li> </ul> |
|-----------------|---|

**OES Pro Nephroscope**


- ① **WA33036A** OP telescope, 30° direction of view, 4 mm channel  
*Delivery includes: attachment A3342*
- ② **WA03300A** Light-guide cable, 2,8 mm, 3 m, CF type
- ③ **A0460** Light-guide adapter, for OES 4000 light-guide cables
- ④ **00332** Light-guide adapter, for Wolf light-guide cables

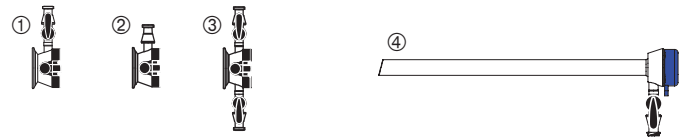
**Attachments for Nephroscope**


- ① **A3342** Attachment, with automatic valve
- ② **A4558** Sealing cap, 2 mm, 10 pcs., green, for A3342  
▪ Reusable/non-sterile
- ③ **A00001A** Valve, 10 pcs., transparent, for A3342
- ④ **WA33039A** Attachment, with stopcock
- ⑤ **00201** Sealing cap, 2,8 mm, 10 pcs., gray, for WA33039A  
▪ Reusable/non-sterile

**Continuous Flow Irrigation**


- ① **WA33037A** Outer sheath, 25 Fr., rotatable
- ② **WA33025A** Obturator, for WA33037A, for use of WA33036A as a compact cystoscope
- ③ **WA33026A** Adapter, OES Pro outer sheath to Ellik evacuator/bladder syringe

For bladder syringes, see page 51.

**Overflow Irrigation**


- ① **A22051A** Irrigation port, for resection sheaths, 1 stopcock, rotatable
- ② **A22052A** Irrigation port, for resection sheaths, 1 Luer-lock connector, rotatable
- ③ **A22053A** Irrigation port, for resection sheaths, 2 stopcocks, rotatable
- ④ **WA33038A** Sheath, acc. to Amplatz, 28 Fr.

**Use of Fiberscopes**


- ① **WA33040A** Guiding tube, for CYF-5 cysto-nephroscopes
- ② **A0206** Sealing cap, 4 mm, 10 pcs., gray, for A3340  
▪ Reusable/non-sterile

For CYF cysto-nephroscopes, see page 173.

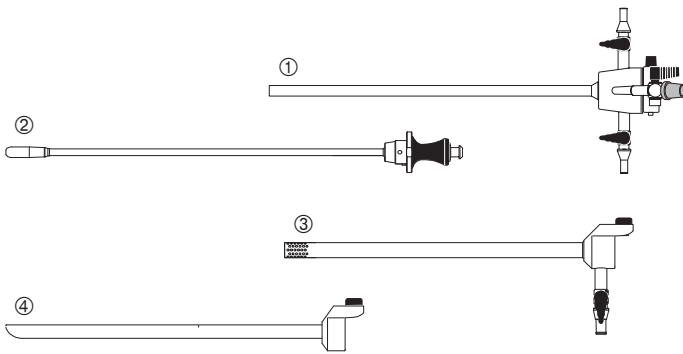
**Telescope**


- ① **WA2T412A** Telescope "OES ELITE",  
4 mm, 12°,  
HD,  
autoclavable

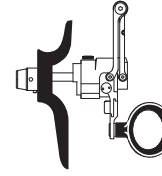
**Delivery includes:**

protective tube WA2P400A.

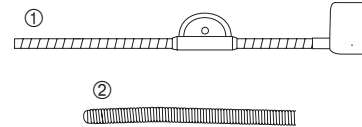
For light-guide cables and adapters, see page 164.

**Sheaths**


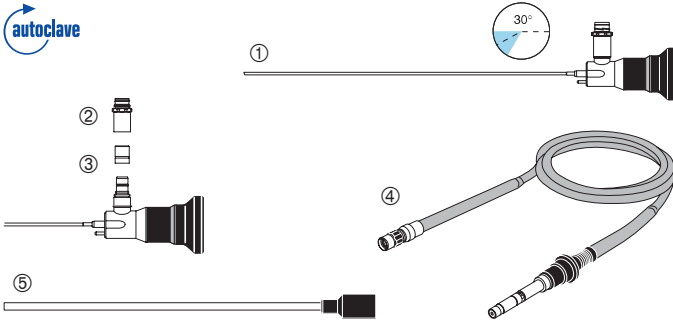
- ① **A3551** Sheath,  
with obturator A3560,  
22 Fr.,  
4 Fr. channel
- ② **A3560** Obturator,  
for A3551,  
4 Fr. channel
- ③ **A3552** Outer sheath,  
26 Fr.,  
for A3551,  
for percutaneous access
- ④ **A3554** Insertion sleeve,  
for A3551

**Working Element**


- A3550** Working element, for A3551

**Knife for Percutaneous Subpelvic Ureterotomy**


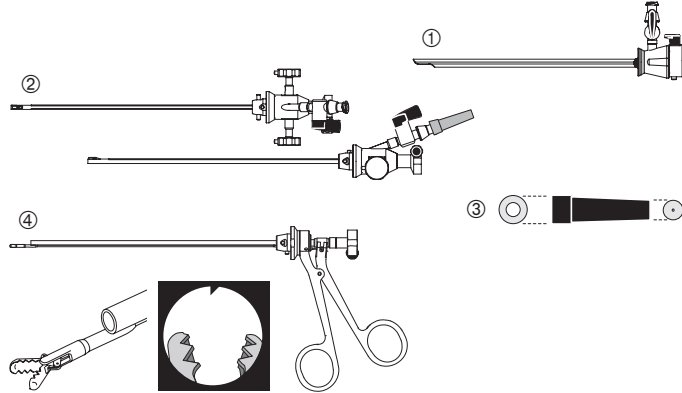
- ① **A3559** Knife,  
semi-circular,  
flexible tip, 4 Fr. channel
- ② **EG25BX** PTFE-coated guidewire,  
stainless steel,  
0.035" diameter, 150 cm length,  
tip length: 3 cm flex, straight tip, regular body,  
sterile, single-use, 5 pcs.

**Telescopes**


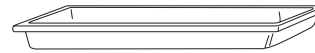
- |   |                 |  |
|---|-----------------|--|
| ① | <b>A3765A**</b> | Telescope, 1.9 mm, 30° direction of view, autoclavable |
| ② | <b>A0460</b>    | Light-guide adapter, for OES 4000 light-guide cable    |
| ③ | <b>00332</b>    | Light-guide adapter, for Wolf light-guide cable        |
| ④ | <b>WA03300A</b> | Light-guide cable, size S, plug type, 3 m              |
| ⑤ | <b>A0547**</b>  | Protection tube, for telescopes                        |

**Delivery includes:**

Telescope A3765A: protection tube A0547 and light-guide adapters A0460 and 00332.

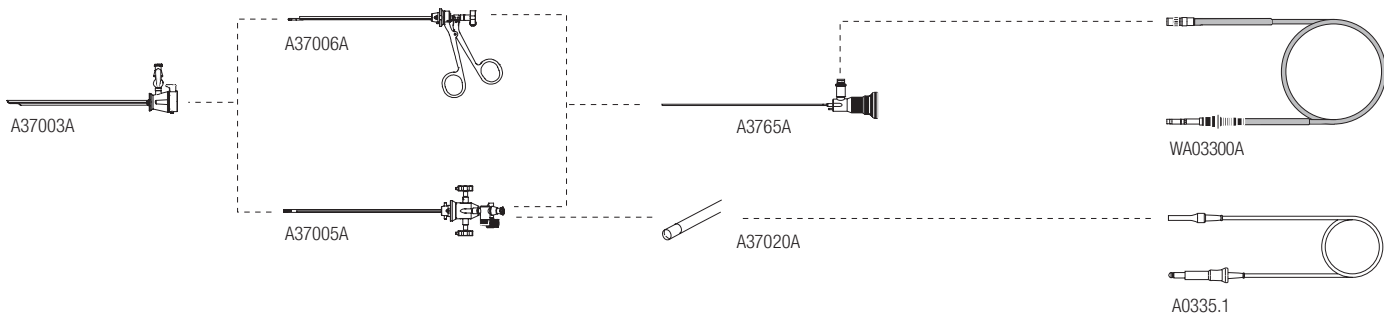
**Therapeutic Cystoscope**


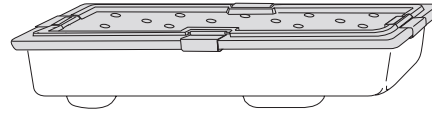
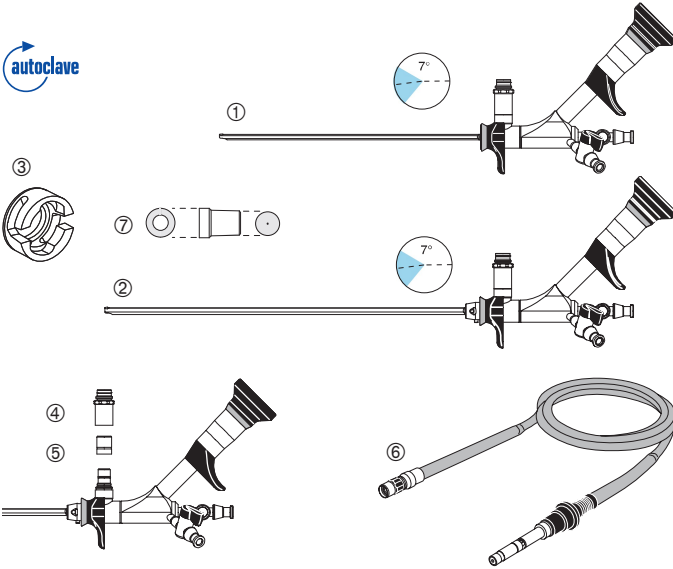
- |   |                  |   |
|---|------------------|---|
| ① | <b>A37003A**</b> | Cystoscope sheath, 13 Fr., for 30° telescope, with standard obturator   |
| ② | <b>A37005A**</b> | Working insert, Albarran, one-way, 4 Fr. passage, for A37003A   |
| ③ | <b>A0313</b>     | Sealing cap, self-closing, black, 10 pcs., for A37005A <ul style="list-style-type: none"> <li>▪ Single use/non-sterile</li> </ul> |
| ④ | <b>A37006A**</b> | Grasping forceps, optical, for A37003A  |

**Instrument Tray System**


- |                   |  |
|-------------------|--|
| <b>WA05995A**</b> | Insert tray, for pediatric urology set |
|-------------------|--|

For multi purpose instrument trays, see page 649.

**System Chart**


**Compact Cystoscope**
**Instrument Tray**


**A05961A** Instrument tray,  
for compact cystoscope

For plastic instrument trays, see page 649.

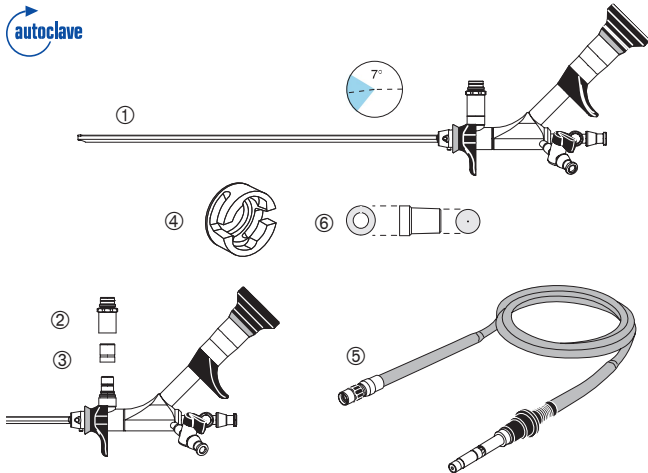
- ① **A37026A\*\*** Compact cystoscope,  
7° direction of view, 7.9 Fr. x 160 mm,  
4.2 Fr. channel, 45° ocular angle
- ② **A37025A** OP telescope,  
7°, 11 Fr. x 220 mm,  
7.5 Fr. channel, angled ocular
  - Up to 6 Fr. passage
- ③ **WA37025B\*\*** Adapter,  
meatus stopper, for A37025A
- ④ **A0460** Light-guide adapter, for OES 4000 light-guide cable
- ⑤ **00332** Light-guide adapter, for Wolf light-guide cable
- ⑥ **WA03300A** Light-guide cable,  
size S, plug type, 3 m
- ⑦ **A0387** Sealing cap, 4.5 mm, 10 pcs.
  - Reusable/non-sterile

**Delivery includes:**

Instrument tray A05961A.

For maximum passage, see page 191.

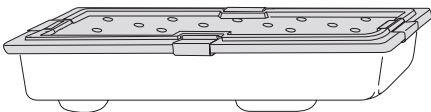
**System Chart**


**OP Telescope**


- ① **A37025A** OP telescope, 7°, 11 Fr. x 220 mm, 7.5 Fr. channel, angled ocular
  - Up to 6 Fr. passage

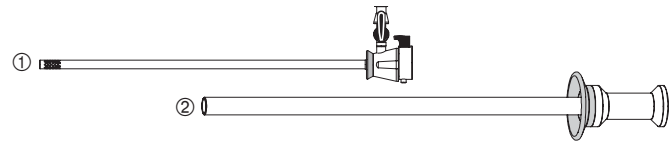
*OP telescopes are delivered with instrument tray A05961A.*
- ② **A0460** Light-guide adapter, for OES 4000 light-guide cable
- ③ **00332** Light-guide adapter, for Wolf light-guide cable
- ④ **WA37025B\*\*** Adapter, meatus stopper, for A37025A
- ⑤ **WA03300A** Light-guide cable, size S, plug type, 3 m
- ⑥ **A0387** Sealing cap, 4.5 mm, 10 pcs.,
  - reusable/non-sterile

For maximum passage, see page 197.

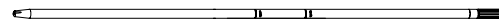
**Instrument Tray**


- A05961A** Instrument tray, for OP telescope

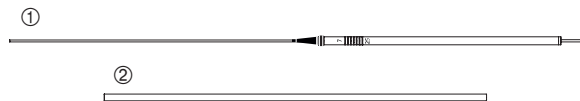
For plastic instrument trays, see page 647.

**Nephroscope Sheath**


- ① **A37022A** Outer sheath, 15.9 Fr., fixed, includes guiding tube WA37031A
- ② **WA2PS18S** Sheath, 18 Fr., 130 mm
- WA2PS18L** Sheath, 18 Fr., 160 mm
- WA2PS20S** Sheath, 20 Fr., 130 mm
- WA2PS20L** Sheath, 20 Fr., 160 mm

**Mini-PCNL Dilators**


- WA2PD18A** Dilator, 15 Fr., for 18 Fr. sheath, 390 mm
  - single-step, dual lumen
- WA2PD20A** Dilator, 17 Fr., for 20 Fr. sheath, 390 mm
  - single-step, dual lumen

**Bougie Set**


- ① **WA33027A** Bougie tubes, set 9 – 28 Fr.
- ② **WA37031A** Guiding tube, for WA33027A  
*Adapts bougie tubes WA33027A to nephroscope sheath A37022A.*