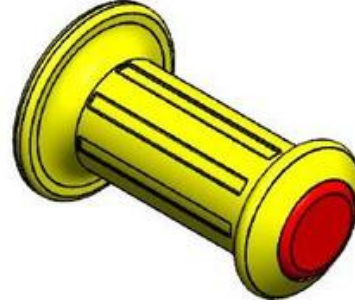
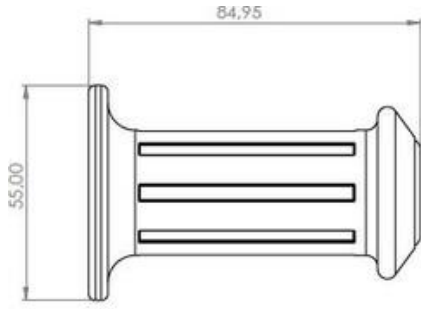


## ELCEK



The material will be produced by injection molding technique from polyethylene material. However, the hands will not come out by themselves and will be produced in color with enough firmness that they cannot be removed by the user. It is designed so that the handle holders do not damage the hands and are suitable for providing a comfortable grip.

**GALAEEXPORT MÜHENDİSLİK**  
**İNŞ. DİŞ TİC. SAN. LTD. ŞTİ.**  
Fevziçakmak Mah. Yayın Cd.No: 18  
Karatay, KONYA  
Selçuk Vergi Dairesi 388 181 3955