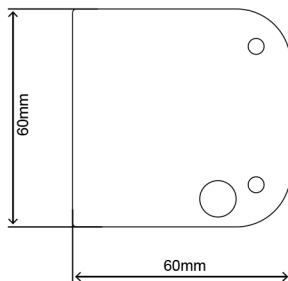
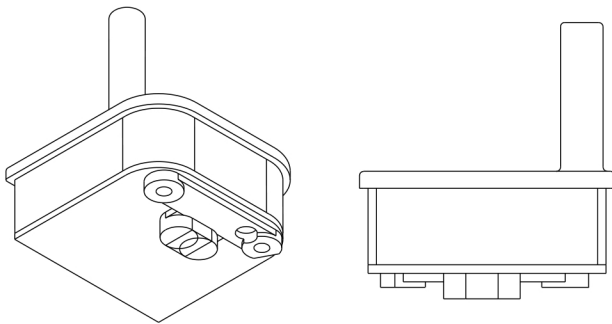




CEM module is dedicated to remote index reading for the water meters with the analog readout option. Data exchange is proceeded through radio network. Data transferred to the Android device through the CEM collector portable unit supported by local WiFi or Bluetooth connection.

CEM module power supply provided by Li-MNO<sub>2</sub> 3.0V battery, which provides at least 5 years lifetime. Besides the water meter index readouts, The device is able to send information about battery status and notify about the possible illegal magnetic interruption.

Module counted pulses are easy to synchronize with the water meter index, however report about the count of records is saved in the device memory and can not be deleted or edited.



# SPECIFICATIONS

**Frequency range:** 803-930MHz. (Adjustable)

**RF output power (maximum):** +20dBm. (Adjustable)

**Bandwidth:** 7.8-500KHz. (Optional)

**Modulation type:** FSK, GFSK, MSK, GMSK, LoRa, OOK. (Optional)

**Sensitivity:** down to -148 dBm (Depends on bandwidth)

**Sensor type:** Analog

**Working distance:** Can easily go 2 Km line of sight using LoRa mode on maximum power (high power reduces battery life).

**Data transmission period:** every 15 sec (Adjustable).

**Power Supply:** Battery CR17450 Li-MnO<sub>2</sub>.

**Operation time:** 5 years (one data transmission per minute).

**Operation temperature range:** -40 +85 °C.

**Protection Class:** IP68

**Case Material:** ABS plastic.

**Dimension (mm):** 60x60x65

**Weight:** 100g