

VACUUM



Gel & Clot Activator

As the activator it is used silica dioxide and biologically inert olefin gel.

Gel provides the separation of serum and clot up to 48 hours without re- centrifugation.

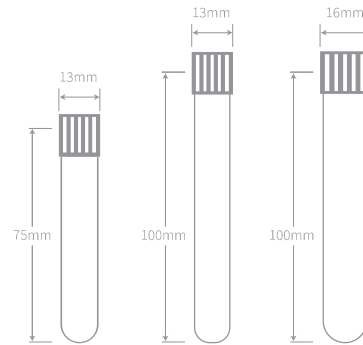
Gel is the special material intended for formation of barrier between cellular components of blood and serum during centrifugation.

Usage: to research serum in the clinical chemistry, immunology, serology, protein electrophoresis.

Specimen: serum.

Clotting time: from 5 to 30 minutes.

Conditions of centrifugation: 1800-2000 g for 10 minutes.



| REF | Additive | Cap Colour | Tube Size (mm) | Draw Volume (mL) | Tube Material | Pack/Carton | Label |
|--------------|----------------------|------------|----------------|------------------|---------------|----------------|-------------------|
| RJ1805103-5P | Gel & Clot Activator | ● Yellow | 13x75 | 3.5mL | PET | 100PCS/1200PCS | Paper/Transparent |
| RJ1805103-5G | Gel & Clot Activator | ● Yellow | 13x75 | 3.5mL | GLASS | 100PCS/1200PCS | Paper/Transparent |
| RJ1805104-0P | Gel & Clot Activator | ● Yellow | 13x75 | 4mL | PET | 100PCS/1200PCS | Paper/Transparent |
| RJ1805104-0G | Gel & Clot Activator | ● Yellow | 13x75 | 4mL | GLASS | 100PCS/1200PCS | Paper/Transparent |
| RJ1805205-0P | Gel & Clot Activator | ● Yellow | 13x100 | 5mL | PET | 100PCS/1200PCS | Paper/Transparent |
| RJ1805205-0G | Gel & Clot Activator | ● Yellow | 13x100 | 5mL | GLASS | 100PCS/1200PCS | Paper/Transparent |
| RJ1805206-0P | Gel & Clot Activator | ● Yellow | 13x100 | 6mL | PET | 100PCS/1200PCS | Paper/Transparent |
| RJ1805206-0G | Gel & Clot Activator | ● Yellow | 13x100 | 6mL | GLASS | 100PCS/1200PCS | Paper/Transparent |
| RJ1805207-0P | Gel & Clot Activator | ● Yellow | 13x100 | 7mL | PET | 100PCS/1200PCS | Paper/Transparent |
| RJ1805207-0G | Gel & Clot Activator | ● Yellow | 13x100 | 7mL | GLASS | 100PCS/1200PCS | Paper/Transparent |
| RJ1805308-0P | Gel & Clot Activator | ● Yellow | 16x100 | 8mL | PET | 100PCS/1200PCS | Paper/Transparent |
| RJ1805308-0G | Gel & Clot Activator | ● Yellow | 16x100 | 8mL | GLASS | 100PCS/1200PCS | Paper/Transparent |
| RJ1805309-0P | Gel & Clot Activator | ● Yellow | 16x100 | 9mL | PET | 100PCS/1200PCS | Paper/Transparent |
| RJ1805309-0G | Gel & Clot Activator | ● Yellow | 16x100 | 9mL | GLASS | 100PCS/1200PCS | Paper/Transparent |
| RJ1805310-0P | Gel & Clot Activator | ● Yellow | 16x100 | 10mL | PET | 100PCS/1200PCS | Paper/Transparent |
| RJ1805310-0G | Gel & Clot Activator | ● Yellow | 16x100 | 10mL | GLASS | 100PCS/1200PCS | Paper/Transparent |