


ACN and ACE series

- highest measurement precision
- very good indication readability
- large draft shield
- automatic internal calibration (ACN)
- RS232C and USB-B interfaces for printer, computer, label printer and barcode reader



Analytical balances ACN and ACE series are designed for use in laboratories, pharmacies, jewelry and research institutes where high accuracy of measurement is required.

 external calibration	 date/time	 unit selection	 animals weighing
 internal calibration	 printout config.	 weighing speed selection	 density measurement
 GLP compatibility	 pieces counting	 threshold/selection	 force measurement
	 percentage	 max weight	 recipe
	 summation	 min weight	 statistics
		 Alibi memory	

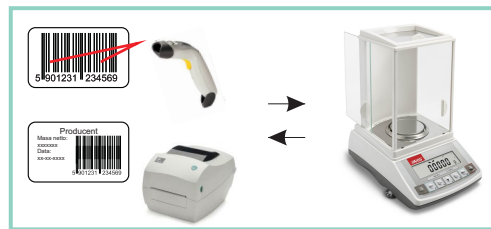
Options on demand



Under hook weighing



ACN hydro set



Cooperation with barcode reader and printer

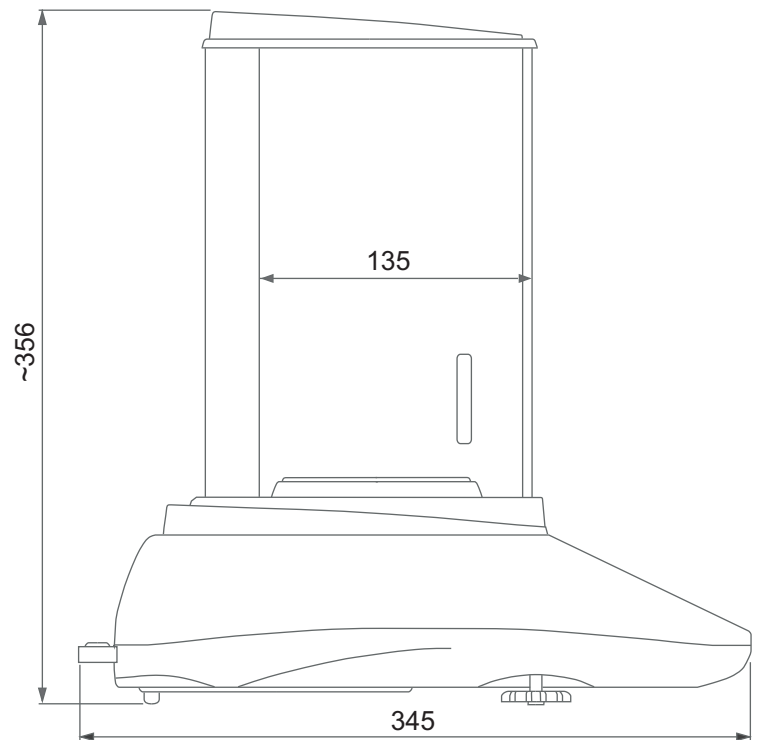
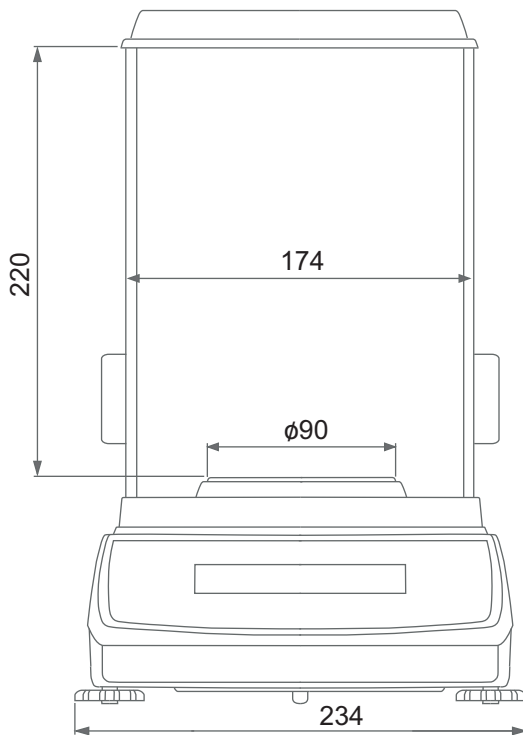
hook for hanging weighed object

ACN hydro set to measure density of liquids and solids

LAN or Wi-Fi interface to work with computer

barcode reader interface (RS232C+supply)

computer software: Statistics *freeware*, Communication *freeware* - saving to file, ProCell - export to Excel



Technical data

Balances with int. calib.	ACN120	ACN220	ACN320
Balances without int. calib.	ACE120	ACE220	ACE320
Capacity (Max)	120g	220g	320g
Reading unit (d)	0,1mg	0,1mg	0,1mg
Verification unit (e)	1mg	1mg	1mg
Tare range	-120g	-220g	-320g
Accuracy class	I		
Repeatability	0,1mg		
Linearity	±0,2mg		
Working temperature	+18 ÷ +35°C		
Weighing time	<5s		
Units	mg, g, ct, lb, oz, ozt, gr, dwt		
Display	backlighted LCD, digits height 18mm		
Interfaces	RS232, USB-B	options: LAN or Wi-Fi	
Pan size	90mm		
Dimensions (with legs)	234x345x356mm		
Draft shield dimensions	174x135x220mm		
Power supply	~230V 50Hz 6VA / =12V 1,2A		
Balance weight	5,2kg		
Recommended std. of mass	E2 100g	E2 200g	

Balances with verification option **M**