



LINE INTERACTIVE UPS
BROCHURE

INTRODUCTION TO TECHNOLOGY PRODUCTS

Introduction

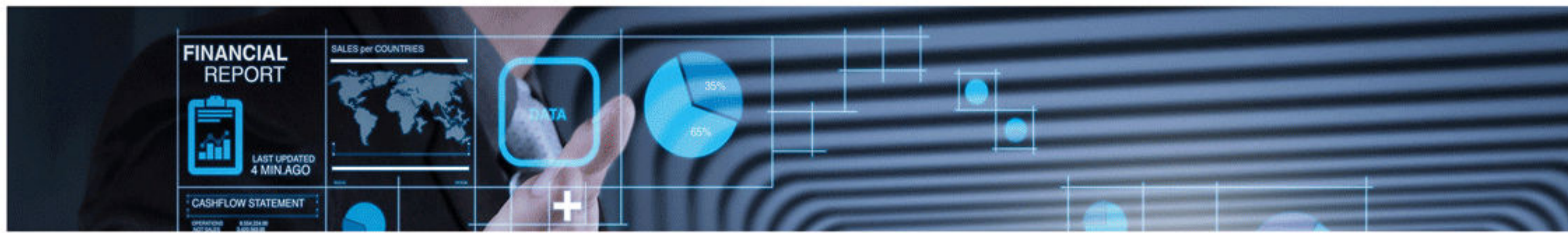


Application



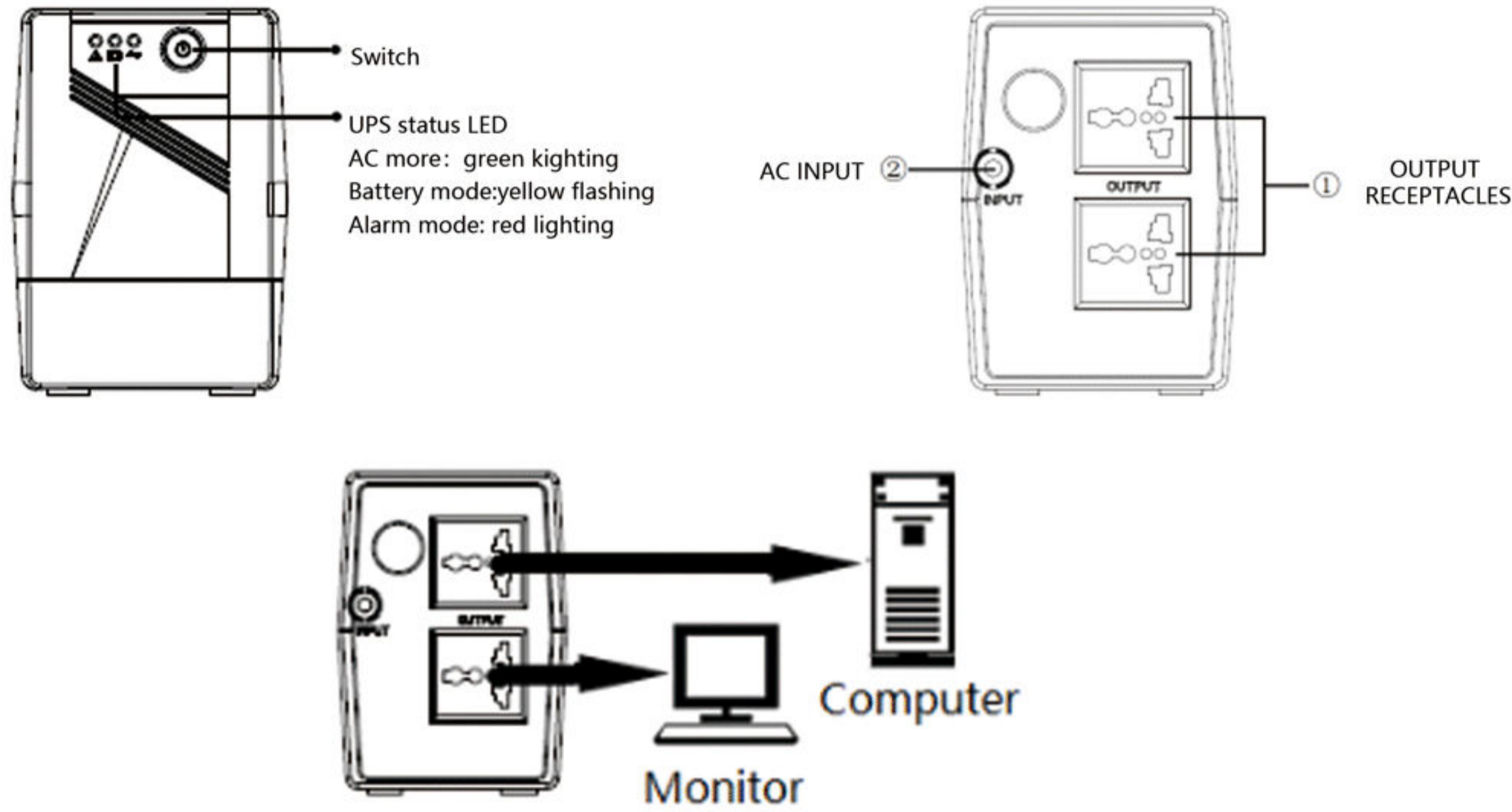
Computer ← UPS ← Main supply





LINE INTERACTIVE UPS

450VA~850VA



mobile phone



routing



tablet



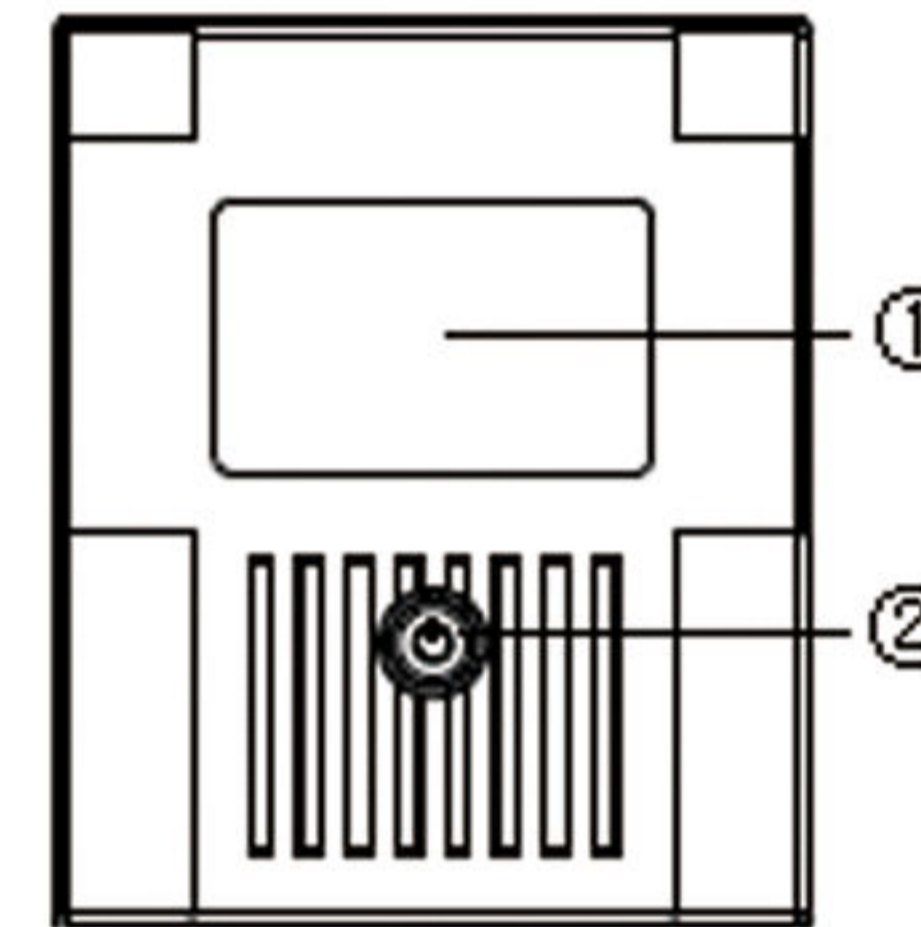
computer



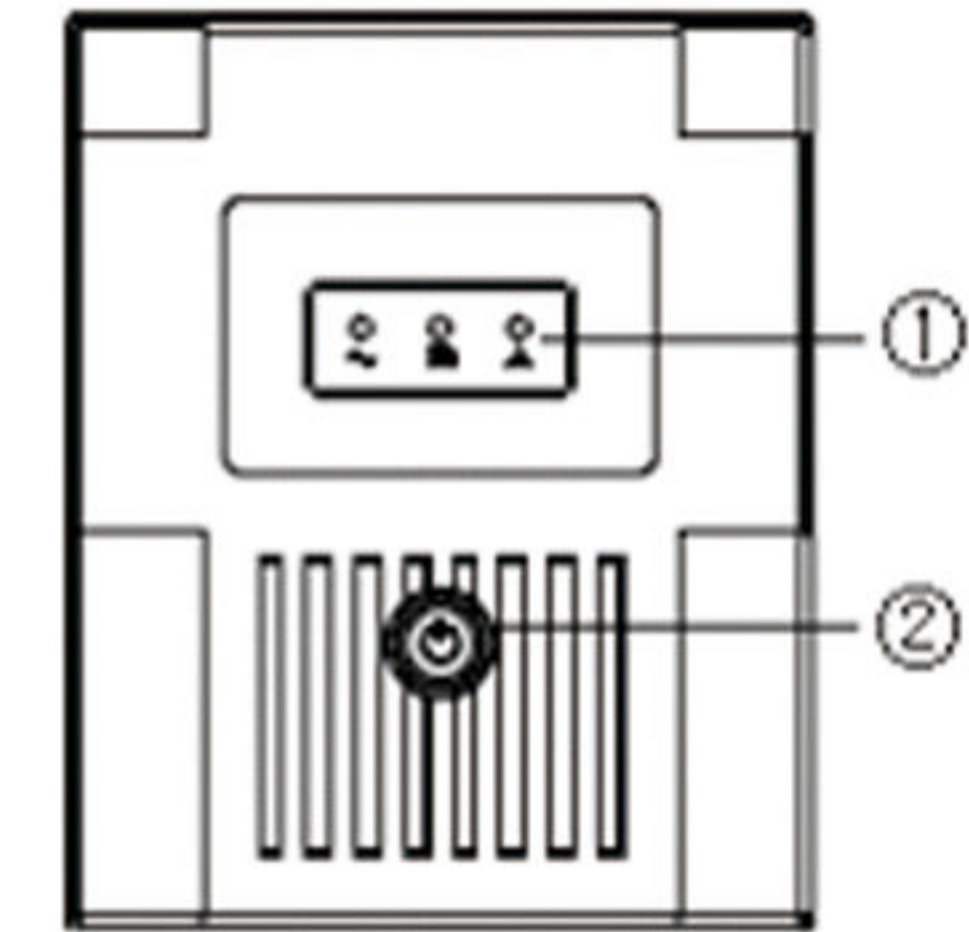
LINE INTERACTIVE UPS

1000VA~2000VA

Overview Front View:

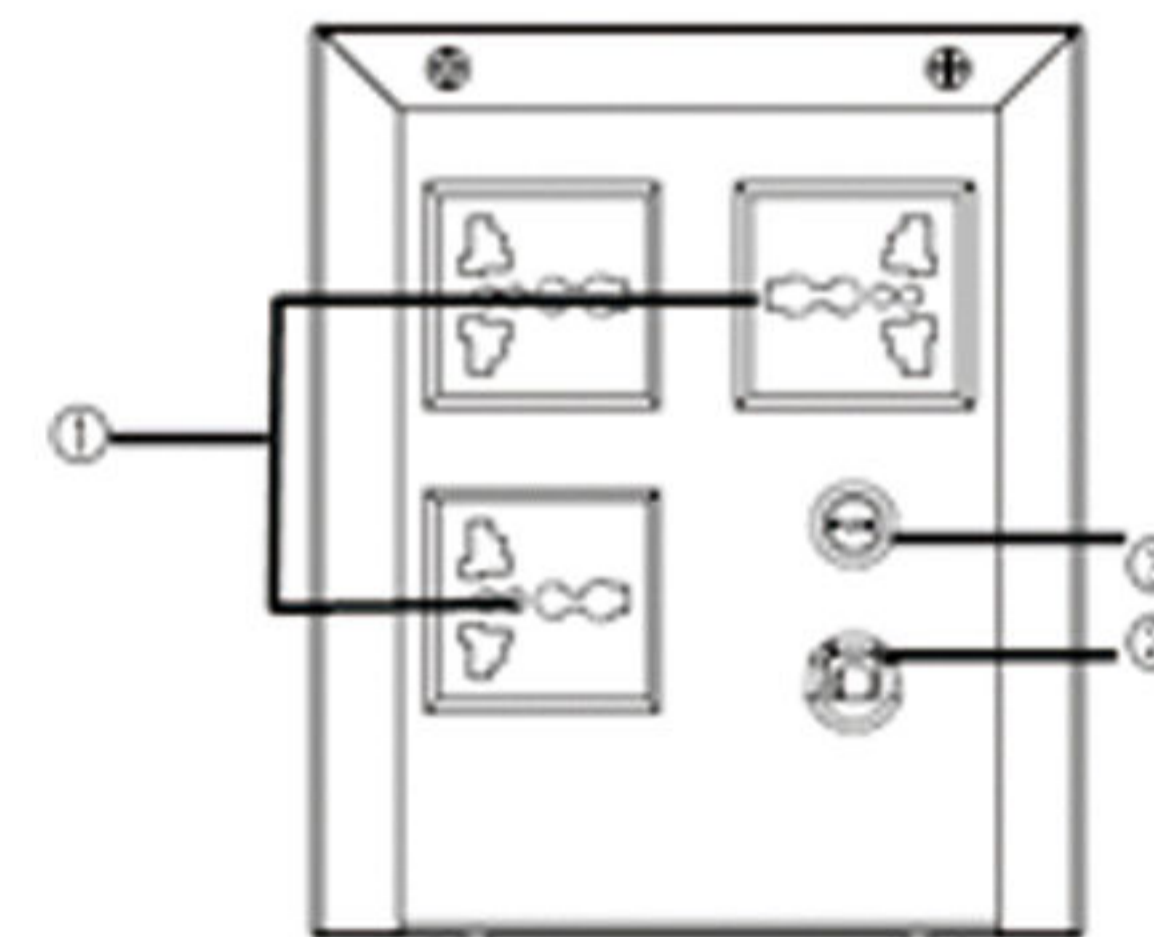


- ① LCD Display
- ② On/Off Switch

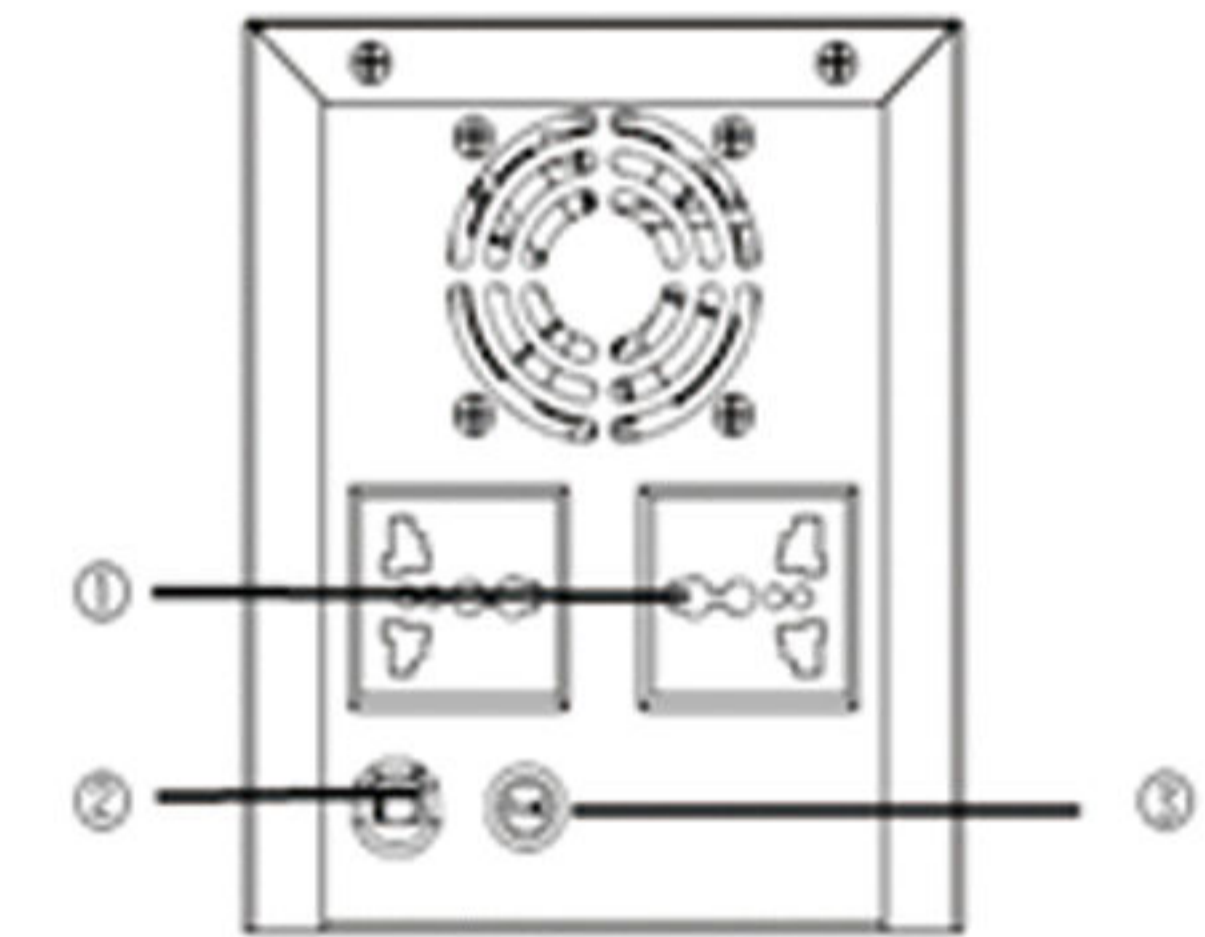


- ① UPS status LED
AC mode: green lighting
Battery mode: yellow flashing
Alarm mode: red lighting
- ② On/Off Switch

Back View:



- ① Output receptacles
- ② AC input
- ③ AC input fuse



Note: The output receptacles type may differ for different country models.

LINE INTERACTIVE UPS

BK AVR UPS 450VA-1000VA



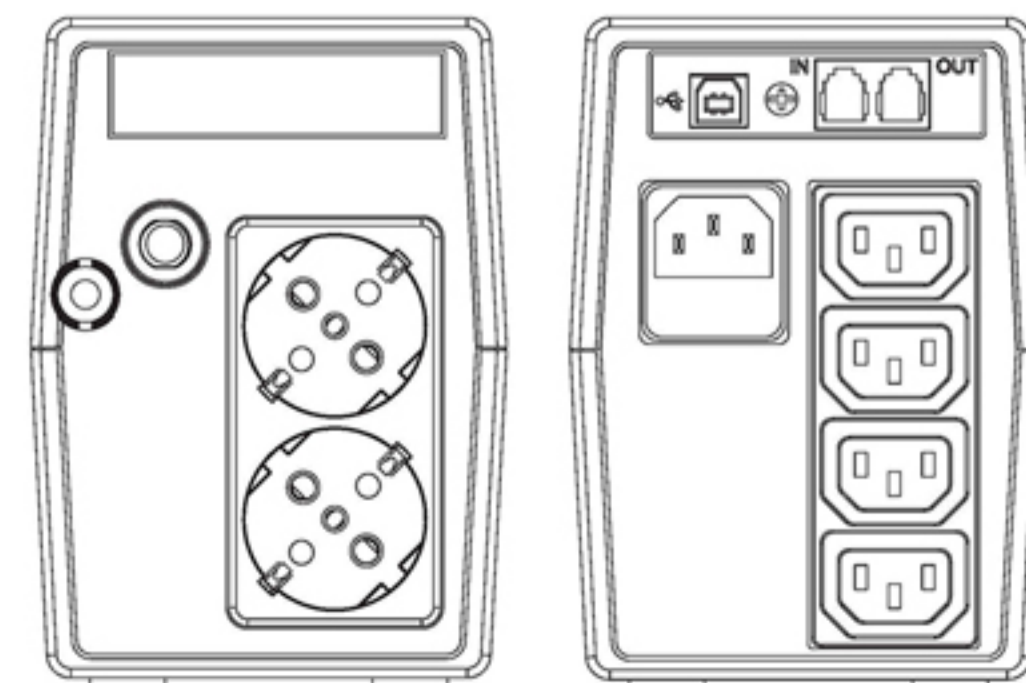
Main Features

- Excellent microprocessor control optimizes reliability;
- Built super smart charger, shorten charging time;
- Boost and buck AVR for voltage stabilization;
- Simulated sine wave;
- Auto restart while AC is recovering;
- Power-on self test;
- Built-in self-diagnostic function;
- Off mode charging function;
- Intelligent battery management;
- Optional no-load shut down;
- Humanized alarm system;
- Compatible with generator set (optional);
- Optional RS232/USB communication port and RJ11/RJ45 protection.

Rear Panel

- AC input;
- Output Socket(selectable);
- TEL/Modem/Fax surge protection(RJ11/RJ45) (optional);
- USB/RS232 communication (optional);
- AC Fuse/Breaker (optional).

Applications:



Specifications

MODEL	BK450	BK650	BK850	BK1000
Capacity	450VA/240W	650VA/360W	850VA/480W	1000VA/600W
INPUT				
Voltage	110/120 VAC or 220/230/240 VAC			
Voltage Range	81-145VAC or 162-290VAC			
Frequency Range	60/50 Hz (Auto sensing)			
OUTPUT				
Voltage	110/120 VAC or 220/230/240 VAC			
AC Voltage Regulation (Bat Mode)	±10%			
Frequency Range (Bat Mode)	60Hz or 50Hz ± 1Hz			
Transfer time	Typical 2-6ms			
Waveform (Bat Mode)	Simulated Sine Wave			
BATTERY				
Battery Type&Number	12V 4.5Ah*1	12V 7Ah*1	12V 9Ah*1	12V 9Ah*1
Floating Charging Voltage	13.7VDC			
Charging ability	4-6 hours recover to 90% capacity			
PROTECTION				
Full protection	Short circuit, Overload, Battery discharge and overcharge, Surge protection			
INDICATIONS				
Line mode	Green lighting			
Battery mode	Yellow flashing			
Fault	Red lighting			
ALARM				
Battery mode	Sounding every 10 seconds			
Low battery	Sounding every second			
Overload	Sounding every 0.5 seconds			
Battery Replacement Alarm	Sounding every 2 seconds			
Fault	Continuously sounding			
COMMUNICATIONS				
USB/RS232/SNMP (options)	Supports Windows 2000/2003/XP/Vista/2008,Windows 7/8 Linux Unix and MAC			
ENVIRONMENT				
Humidity	0-90% Relative Humidity 0-40 °C (Non-condensing)			
Noise Level	Less than 40dB			
Dimension, D*W*H(mm)	297*101*142			
Net Weight (kgs)	3.7	4.2	4.9	4.9
QTY/20FT	2000PCS without Pallet		1600PCS with Pallet	
QTY/40GP	4384PCS without Pallet		3360PCS with Pallet	
QTY/40HQ	4888PCS without Pallet		3780PCS with Pallet	

※ All Specifications subject to change without notice.
Custom-made specifications are acceptable.



LINE INTERACTIVE UPS

ST SERIES UPS 450VA-2000VA



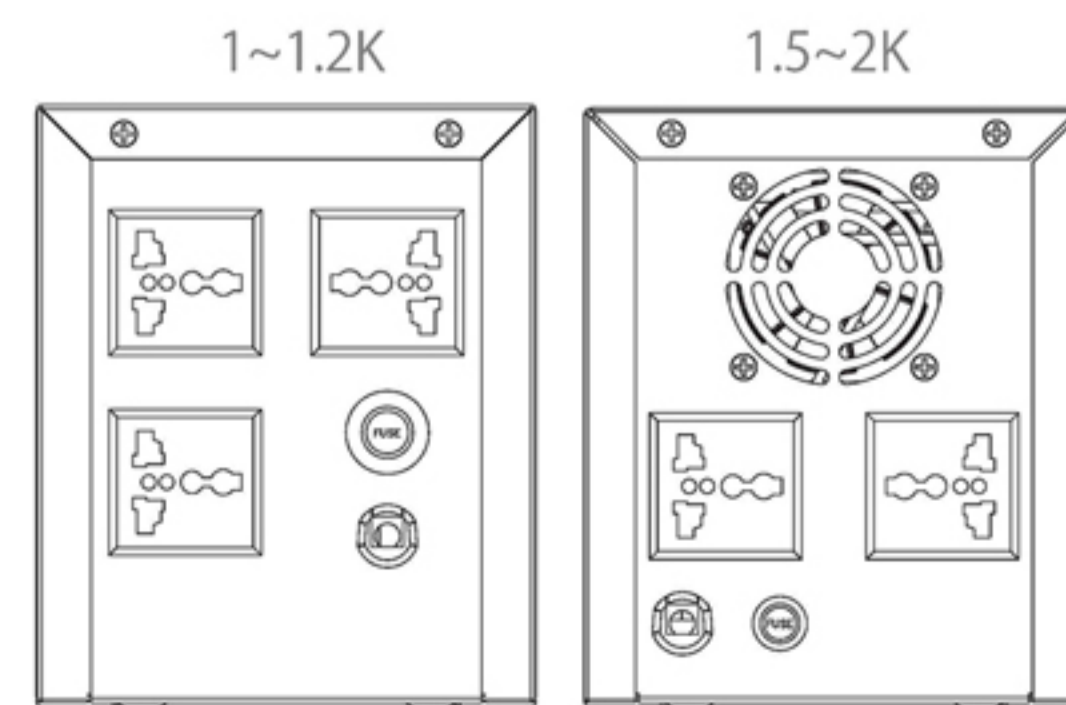
Main Features

- LCD display or LED display for option;
- Excellent microprocessor control optimizes reliability;
- Built super smart charger, shorten charging time;
- Boost and buck AVR for voltage stabilization;
- Simulated sine wave;
- Auto restart while AC is recovering;
- Power-on self test;
- Built-in self-diagnostic function;
- Off mode charging function;
- Intelligent battery management;
- Optional no-load shut down;
- Humanized alarm system;
- Compatible with generator set (optional);
- Optional RS232/USB communication port and RJ11/RJ45 protection.

Rear Panel

- AC input;
- Output Socket(selectable);
- TEL/Modem/Fax surge protection(RJ11/RJ45) (optional);
- USB/RS232 communication (optional);
- AC Fuse/Breaker (optional).

Applications:



Specifications

MODEL	ST450	ST650	ST850	ST1000	ST1250	ST1500	ST2000
Capacity	450VA/ 240W	650VA/ 360W	850VA/ 480W	1000VA/ 600W	1250VA/ 720W	1500VA/ 900W	2000VA/ 1200W
INPUT							
Voltage	110/120 VAC or 220/230/240 VAC						
Voltage Range	81-145VAC or 140-300VAC						
Frequency Range	60/50 Hz (Auto sensing)						
OUTPUT							
Voltage	110/120 VAC or 220/230/240 VAC						
AC Voltage Regulation (Bat Mode)	±10%						
Frequency Range (Bat Mode)	60Hz or 50Hz ± 1Hz						
Transfer time	Typical 2-6ms						
Waveform (Bat Mode)	Simulated Sine Wave						
BATTERY							
Battery Type&Number	12V*4.5Ah*1	12V*7Ah*1	12V*9Ah*1	12V*7Ah*2	12V*7Ah*2	12V*9Ah*2	12V*9Ah*2
Charging ability	4-6 hours recover to 90% capacity						
PROTECTION							
Full protection	Short circuit, Overload, Battery discharge and overcharge, Surge protection						
INDICATIONS							
LCD Display	AC Mode	Green lighting					
	Battery Mode	Yellow flashing					
	Fault	Red lighting					
Battery mode	Sounding every 10 seconds						
Low battery	Sounding every second						
Overload	Sounding every 0.5 seconds						
Battery Replacement Alarm	Sounding every 2 seconds						
Fault	Continuously sounding						
Dimension, D*W*H(mm)	260*90*150	320*90*150		370*135*165			
Net Weight (kgs)	3.7	5.4	5.8	9	9.5	10.5	11.3
QTY/20FT	1920PCS with Pallet	1600PCS with Pallet		960PCS with Pallet			
QTY/40GP	4032PCS with Pallet	3360PCS with Pallet		2016PCS with Pallet			
ENVIRONMENT							
Humidity	0-90% Relative Humidity 0-40 °C (Non-condensing)						
Noise Level	Less than 40dB						
COMMUNICATIONS							
USB/RS232/SNMP (options)	Supports Windows 2000/2003/XP/Vista/2008, Windows 7/8 Linux Unix and MAC						

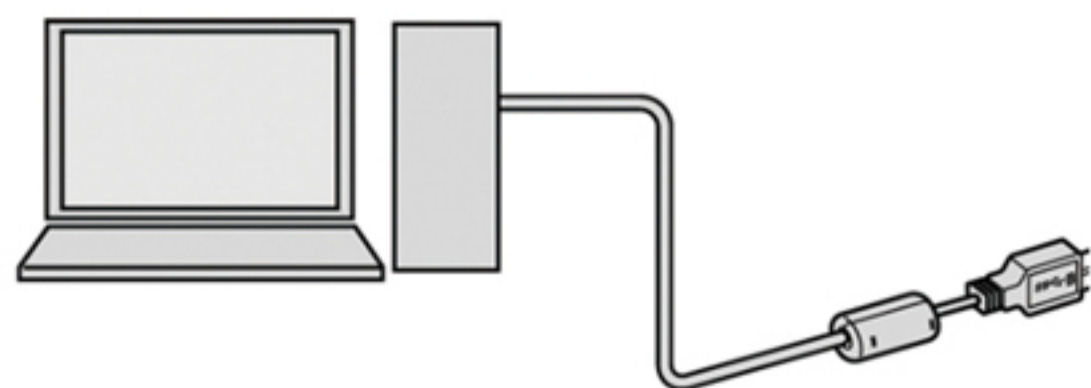
※ All Specifications subject to change without notice.
Custom-made specifications are acceptable.





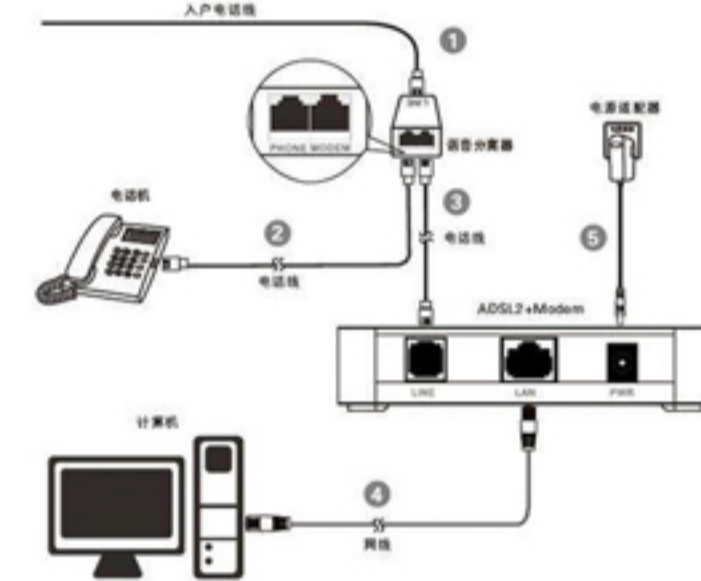
Connect to Utility and Charging

Plug in the AC input power cord to the wall outlet. For the best results, it is suggested to charge the battery for at least 6 hours before initial use. The UPS charges its battery while connecting to the utility.



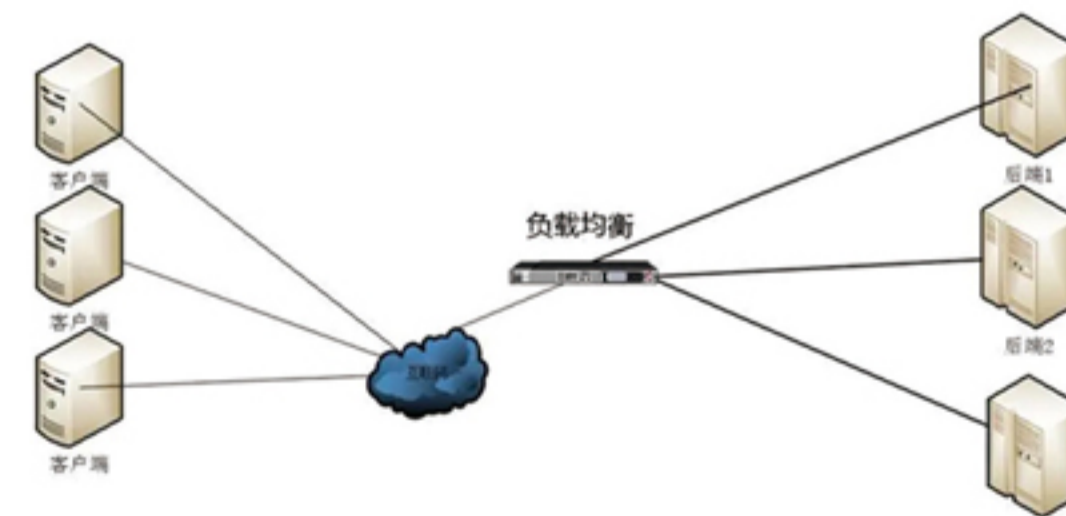
Connect USB cable (Optional)

Connect the USB cable to UPS and Computer, insert CD to computer and follow the wizard to install the monitoring software properly.



Connect Modem/Phone for Surge Protection (Optional)

Connect a single modem/phone line into surge-protected "IN" outlet on the back panel of the UPS unit. Connect from "OUT" outlet to the computer/Modem with phone line cable.



Connect the Loads

Plug in the loads to output receptacles on the rear panel of the UPS. Simply turn on the power switch of UPS unit, then devices connected to the UPS are protected.

