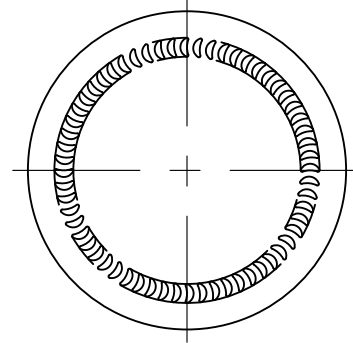
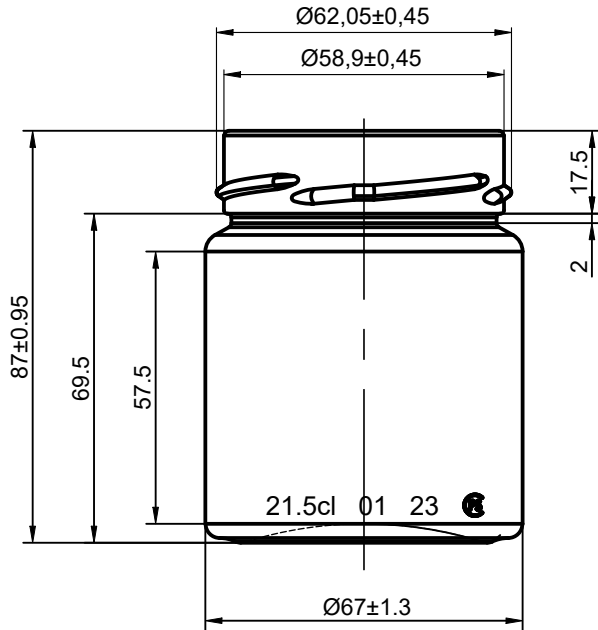


A.110



Bottom view

Characteristics

Full capacity, cm<sup>3</sup> -215±6  
 Weight recommended, g -170  
 Thickness of walls not less, mm-1,2 ,  
 Thickness of a bottom not less, mm-2,0  
 Thermal stability ,difference of temperatures,  
 not less, °C -40  
 Internal hydrostatic pressure during 5s  
 not less, kgf/cm<sup>2-3</sup>  
 Resistance to effort of compression  
 not less, N-2200

					<b>A.110</b>			
					Jar III-63-215 "Pomodoro deep"			
					Letter		Weight	Scale
								1:1
					Sheet 1		Sheets 3	
					Flint		<b>FSC</b>	