

Společnost je zapsána v obchodním rejstříku vedeném Krajským soudem v Brně, oddíl B, vložka 818



Zlín 18th January 2024

E8*54R00/25*2025*01

PETLAS TIRE INDUSTRY
AND TRADE COMPANY
Kindam Mah.
Ankara-Kayseri Cad. No.2/1
40200 Kirsehir, TURKEY

Communication concerning the approval and notification of approval number and inspection report issued by Inspection body IGTT

Tyre type fully complies requirements of ECE/UN R54.

Enclosed you will find the Communication concerning the approval of your tyres according to ECE/UN Regulation No. 54

On the base of this approval you are entitled to produce in your factory tyres of the dimension:

215/75R16C STARMAXX PROVAN ST860 113/111R

with the approval number : **E8 002025**
date of inspection : **18th January 2024**
inspector's name : **Václav Hořelka**

Sincerely yours,

IGTT a.s.
Tyre Approval Department
Šternberská 446, Louky
763 02 Zlín, Czech Republic
IČ/D: 46900080 DIČ/VAT: CZ46900080

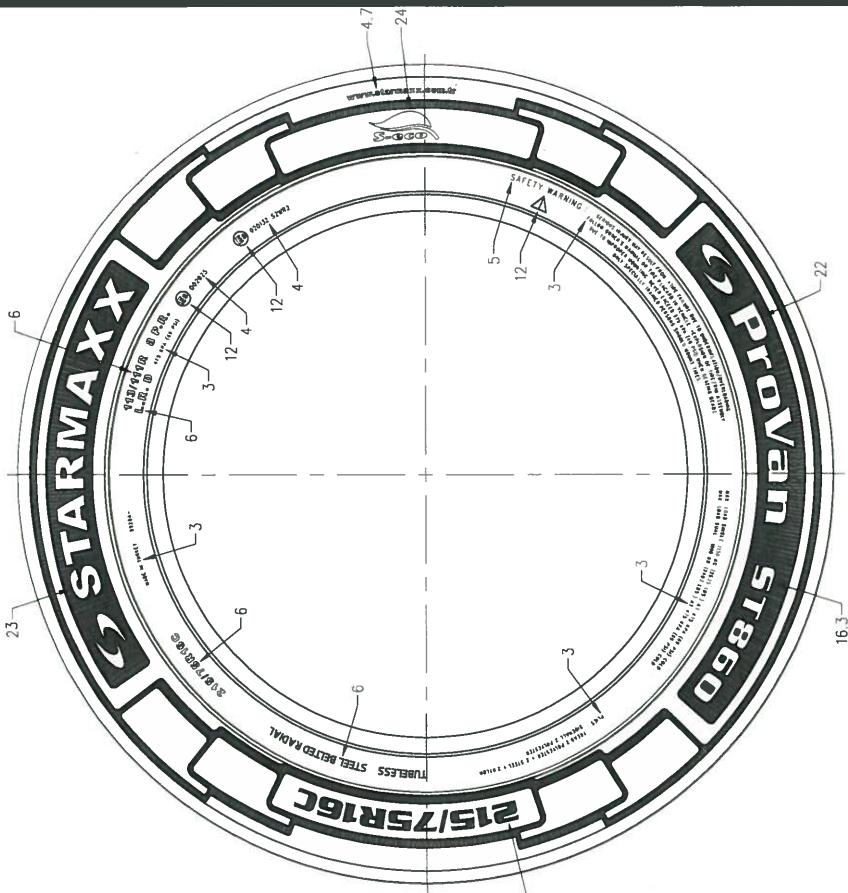


Václav Hořelka
Head Of Tyre Approval Department
Head Of Inspection Body IGTT

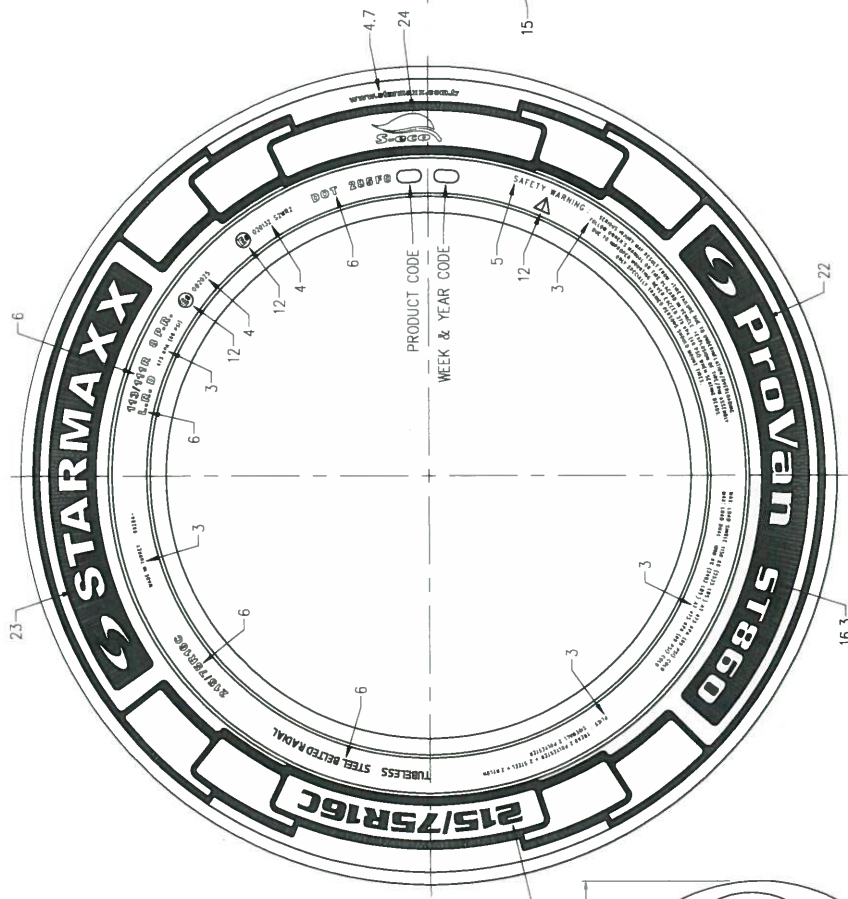
APPLICATION FOR EXTENSION ECE No. 54

1.	Manufacturer's name and address	PETLAS TIRE INDUSTRY AND TRADE COMPANY : Kindam Mah. Ankara-Kayseri Cad. No:2/1 Kirsehir/TURKEY
2.1.	The Brand name(s)/trademark(s)	: STARMAXX
2.2.	The trade description(s)/commercial name(s)	PROVAN ST860
3.	If applicable, name and address of manufacturer's representative	N/A
4.1.	Tyre-size designation	: 215/75 R16 C
4.2.	Category of use (normal/special/snow)	: NORMAL
4.2.1.	For the tyres belonging to the category of use "special use tyre" those which may bear the inscription M+S or M.S or M&S	: N/A
4.3.	Structure (diagonal(bias ply)/radial)	: RADIAL
4.4.	Tyre Class	: C2
4.5.1.	Speed category	: R
4.5.2.	Additional speed category (if applicable)	: N/A
4.6.1.	The load-capacity indexes	: 113/111
4.6.2.	Additional load-capacity indexes	: N/A
8.	Reason(s) of extension	: Tread construction changed

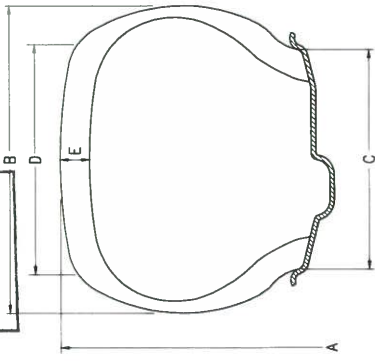
 **IGTT a.s.**
Tyre Approval Department
Štebberská 446, Louky
763 02 Zlín, Czech Republic
IC/D: 46900080 DIČ/VAT: CZ46900080 



NON SERIAL SIDE

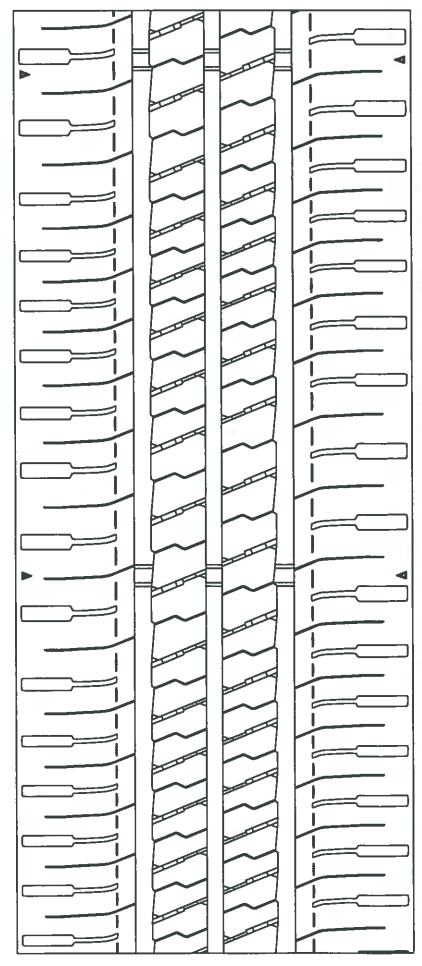


SERIAL SIDE



R	215/75R16 C	113/111	-	X	728	216	6.0	173	10.5	002025	020132 S2WR2	-
R	215/75R16 C	113/111	-	X	728	216	6.0	173	10.5	002025	020132 S2WR2	-
HIZ SINIFI (SPEED CAT.)	LASTIK EBADI (TIRE SIZE)	YÜK KAPASİTE İNDEKSİ (LOAD CAP. INDEX)	TIP (TYPE)	İÇ LASTIKSİZ (TUBELESS)	A	B	C	D	E	ONAY NO. (APPROVAL NO.)	ONAY NO. (APPROVAL NO.)	AÇIKLAMA (REMARKS)
					mm	mm	inches	mm	mm	Ea R-30	Ea R-117	

SIRT DESENİ (TREAD PATTERN) : ProVan ST860 SIRT (TREAD) : 2 POLYESTER + 2 STEEL + 2 NYLON YANAK (SIDEWALL) : 2 POLYESTER	RESİM NO. (DRAWING NO.)	TARİH (DATE)	KONTROL (CHECKED)
	PKT-12928A-1	02.01.2024	BAŞS İAÇ EĞİTÖR ŞAHİN B Dg



IGTT a.s.
Tyre Approval Department
Stemborská 446, Louky
763 02 Zlín, Czech Republic
IČ/ID: 46900080 DIČ/VAT: CZ46900080



TYPE APPROVAL TEST REPORT

REPORT NO: D022-2323

TYRE SPECIFICATION

Manufacturer Name	: PETLAS TIRE INDUSTRY AND TRADE CO.	Speed Category Symbol	: R
Manufacturer Address	: KINDAM MAH.ANKARA KAYSERI CAD. NO.2/1 KIRŞEHİR / TURKEY	Additional Load/Speed	: N/A
Brand	: PETLAS	Category of Use	: SNOW
Pattern Name	: FULLGRIP PT925	TT/TL	: TL
Product Code	: 40932	Date of Manufacture	: 4122
Size Designation	: 215/75 R16 C	Barcode Number	: 80693280
Load Capacity Index	: 116/114	Approval Number	: E8 001982

TEST AND EQUIPMENT SPECIFICATION

Test Tyre Receiving Date	: 13.10.2022
Test Date	: 15.10.2022
Reference Regulation	: UNECE Regulation 54.00
Petlas Test Code	: 5500
The Tests Conducted	: 1 - Marking Control <input checked="" type="checkbox"/> 2 - Dimensions Measurement <input checked="" type="checkbox"/> 3 - Load/Speed <input checked="" type="checkbox"/>
Test Machine Name (Drum Diameter)	: ASM-2 (1.707 m)
Pressure Gauge Calibration No	: 2214798
Caliper Calibration No	: 2213858
Tape Measure Calibration No	: 2213870
Test Rim	: 6.0JX16
Test Technician	: M.Y.

CUSTOMER INFORMATION

Name	: Same as Manufacturer
Address	: Same as Manufacturer

TYRE VISUAL INSPECTION RESULT BEFORE TEST

Tyre was inspected and any evidence of failure was not detected.

Controlled by;

AYHAN UMUCU
Tyre Test Engineer
17.10.2022



Page 1 of 2

Approved by;

EKREM TURNA
Tyre Testing Laboratory Chief
18.10.2022





TYPE APPROVAL TEST REPORT

REPORT NO: D022-2323

TEST 1 - MARKING CONTROL

Trade name or Mark	YES <input checked="" type="checkbox"/>	NO <input type="checkbox"/>	N/A <input type="checkbox"/>
Commercial/Pattern Name Marking	YES <input checked="" type="checkbox"/>	NO <input type="checkbox"/>	N/A <input type="checkbox"/>
Tyre Size Designation Marking	YES <input checked="" type="checkbox"/>	NO <input type="checkbox"/>	N/A <input type="checkbox"/>
Tyre Structure Marking	YES <input checked="" type="checkbox"/>	NO <input type="checkbox"/>	N/A <input type="checkbox"/>
Speed Category Symbol Marking	YES <input checked="" type="checkbox"/>	NO <input type="checkbox"/>	N/A <input type="checkbox"/>
Load Capacity Index Marking	YES <input checked="" type="checkbox"/>	NO <input type="checkbox"/>	N/A <input type="checkbox"/>
"FRT"	YES <input type="checkbox"/>	NO <input type="checkbox"/>	N/A <input checked="" type="checkbox"/>
"Regroovable"	YES <input type="checkbox"/>	NO <input type="checkbox"/>	N/A <input checked="" type="checkbox"/>
"M+S" marking in case of "Snow" or "Special Use" tire	YES <input checked="" type="checkbox"/>	NO <input type="checkbox"/>	N/A <input checked="" type="checkbox"/>
"POR" or "ET" marking in case of Special Use Tire	YES <input type="checkbox"/>	NO <input type="checkbox"/>	N/A <input checked="" type="checkbox"/>
"TUBELESS" markig in case of without inner tube use	YES <input checked="" type="checkbox"/>	NO <input type="checkbox"/>	N/A <input type="checkbox"/>
Date of Manufacture	YES <input checked="" type="checkbox"/>	NO <input type="checkbox"/>	N/A <input type="checkbox"/>
Approval Number Marking	YES <input checked="" type="checkbox"/>	NO <input type="checkbox"/>	N/A <input type="checkbox"/>

RESULT : The tire markings are fulfill the reference regulation requirements.

TEST 2 - DIMENSIONS MEASUREMENT

Conditioning	: 24 hours at 25 ± 5 °C
Inflation Pressure (kPa)	: 525
Overall Widht Measurements (mm)	: 209,6 / 209,2 / 209,5 / 209,3 / 209,8 / 209,1
Maximum Circumference (mm)	: 2284

PARAMETERS	LIMIT VALUES (mm)	MEASURED VALUES (mm)
Nominal Overall Width-S	216,0	209,8
Maximum Overall Width-Smax	225,0	
Nominal Outer Diameter-D	728,0	727,0
Minimum Outer Diameter-Dmin	719,0	
Maximum Outer Diameter-Dmax	749,0	

RESULT : The dimensions are fulfill the reference regulation requirements.

TEST 3 - LOAD / SPEED TEST

Conditioning	: 3 hours at 25 ± 5 °C
Inflation Pressure (kPa)	: 525

Test Procedure

Date/Time	Test Step No	Duration (min.)	Test Load (kg)	Test Speed (km/h)	Control
15.10.2022 12:05	0	0	0	0	M.Y.
	1	10	1125	0-150	
	2	10	1125	150	
15.10.2022 13:05	3	10	1125	160	M.Y.
	4	30	1125	170	

RESULT : Tire completed the load/speed test without any failure.

FINAL RESULT: THE TYRE PASSED ALL TESTS ACCORDING TO THE REFERENCE REGULATION



Controlled by;
AYHAN UMUCU
Tyre Test Engineer
17.10.2022



Approved by;
EKREM TURNA
Tyre Testing Laboratory Chief
18.10.2022



Lastik Sanayi ve Ticaret A.Ş.

Date : 5.01.2024

Petlas Ref. No : 230/001/024

Subject : DECLARATION
Concern : Mr. Vaclav Horelka
Tyre Approval Department Head
IGTT ZLIN

To whom it may concern;

The tread construction will be upgraded in order to improve tyre performance for the the tyre sizes in the table below. (From 2 POLYESTER + 2 STEEL + 1 NYLON to 2 POLYESTER + 2 STEEL + 2 NYLON).The 215/75 R16 C FULLGRIP PT935 TL 116/114 R is selected as a worst case due to highest load index and tested according to the ECE R54 and it still fulfills the all requirements.

We declare that the worst case tyre performance represents the all upgraded tyres performance and all ECE R54 certificates for these tyres can be extended according to the worst case tyre test report.

BRAND	SIZE	ECE R54 APPROVAL NUMBER
40912	215/75 R16 C FULLPOWER PT825 Plus TL 113/111 R 8PR	E8 002048
90912	215/75 R16 C PROVAN ST850 Plus 113/111R 8 PR	E8 002050
40913	215/75 R16 C FULLPOWER PT825 Plus TL 116/114 R 10PR	E8 002049
90913	215/75 R16 C PROVAN ST850 Plus 116/114R 10PR	E8 002051
40915	215/75 R16 C FULLPOWER PT835 TL 113/111 R 8PR	E8 002023
90915	215/75 R16 C PROVAN ST860 TL 113/111 R 8PR	E8 002025
40916	215/75 R16 C FULLPOWER PT835 TL 116/114 R 10PR	E8 002024
90916	215/75 R16 C PROVAN ST860 TL 116/114 R 10PR	E8 002026
40925	215/75 R16 C VanMaster A/S TL 116/114 R 10PR	E8 003062
90925	215/75 R16 C VanMaxx A/S TL 116/114 R 10PR	E8 003061
40930	215/75 R16 C FULLGRIP PT925 TL 113/111 R 8PR	E8 001783
90930	215/75 R16 C PROWIN ST950 113/111R 8PR	E8 001784
40932	215/75 R16 C FULLGRIP PT935 TL 116/114 R 10PR	E8 001982
90932	215/75 R16 C PROWIN ST960 TL 116/114 R 10PR	E8 001984
40935	215/75 R16 C FULLGRIP PT945 TL 116/114 R 10PR	E8 002370
90935	215/75 R16 C PROWIN ST970 TL 116/114 R 10PR	E8 002372

Erdin ONAT
R&D Manager

PETLAS Lastik Sanayi ve Ticaret A.Ş.

Kındam Mah. Ankara-Kayseri Cad. No:2/1 KIRŞEHİR Tel: (0386) 252 65 50 Fax: (0386) 252 65 70

iletisim@petlas.com.tr

petlas Bir Abdulkadir Özcan A.Ş. Kuruluşudur.

IGTT a.s.

Tyre Approval Department
Šternberská 446, Louky
763 02 Zlín, Czech Republic

IÇ/ID: 46920080 DIÇ/VAT: CZ46900080

IGTT

Ministerstvo dopravy České republiky
Ministry of Transport of the Czech Republic
Nábřeží L. Svobody 12, 110 15 Praha 1, Czech Republic



OSVĚDČENÍ o ⁽¹⁾:

UDĚLENÍ HOMOLOGACE
ROZŠÍŘENÍ HOMOLOGACE
ZAMÍTNUTÍ HOMOLOGACE
ODEBRÁNÍ HOMOLOGACE
DEFINITIVNÍM UKONČENÍ VÝROBY

COMMUNICATION concerning ⁽¹⁾:

APPROVAL GRANTED
APPROVAL EXTENDED
APPROVAL REFUSED
APPROVAL WITHDRAWN
PRODUCTION DEFINITELY DISCONTINUED

typu pneumatiky pro motorová vozidla podle Předpisu č. 54
of a type of pneumatic tyre for motor vehicles pursuant to UN Regulation No. 54

Homologace č.:

Approval No.: **E8*54R00/25*2025*01**

Rozšíření č.:

Extension No.: **I.**

- | | | | |
|--------|--|---|---|
| 1. | Jméno a adresa výrobce
Manufacturer's name and address | : | PETLAS TIRE INDUSTRY
AND TRADE COMPANY
Kindam Mah.
Ankara-Kayseri Cad. No.2/1
40200 Kirsehir, TURKEY |
| 2. | Označení typu pneumatiky ⁽²⁾
Tyre type designation ⁽²⁾ | : | |
| 2.1. | Značka(y) / obchodní značka(y)
Brand name(s) / trademark(s) | : | STARMAXX |
| 2.2. | Obchodní popis(y) / obchodní jméno(a)
Trade description(s) / Commercial name(s) | : | PROVAN ST860 |
| 3. | Název a adresa zástupce výrobce
(je-li potřebné)
If applicable, name and address of
manufacturer's representative | : | N/A |
| 4. | Souhrnný popis
Sumarized description | : | |
| 4.1. | Označení rozměru pláště
Tyre size designation | : | 215/75R16C |
| 4.2. | Kategorie užití
Category of use | : | normální / zimní / speciální ⁽¹⁾
normal / snow / special ⁽¹⁾ |
| 4.3. | Konstrukce
Structure | : | diagonální / radiální ⁽¹⁾
diagonal / radial ⁽¹⁾ |
| 4.4. | Třída pneumatiky
Tyre class | : | C2 / C3 ⁽¹⁾ |
| 4.5. | Kategorie rychlosti
Speed category symbol | : | |
| 4.5.1. | Nominální
Nominal | : | R |
| 4.5.2. | Doplňková (je-li potřebné)
Additional (if applicable) | : | N/A |

4.6.	Indexy nosnosti Load capacity index			
4.6.1.	Odpovídající nominální rychlosti Corresponding to nominal speed	:	v jednomontáži single	ve dvojmontáži twinned (dual)
			113	111
4.6.2.	Odpovídající doplňkové rychlosti Corresponding to additional speed	:	v jednomontáži single	ve dvojmontáži twinned (dual)
			N/A	N/A

5. Technický servis a případně zkušební laboratoř schválená pro účely schvalování nebo pro ověřování shodnosti
Technical service and where applicable, test laboratory additional approved purposes of approval or of verification of conformity

8/E:
IGTT a. s. - Institut gumárenské technologie a testování, a.s.
Rubber Technology and Testing Institute, Comp.
Šternberská 446, Louky,
763 02 ZLÍN,
CZECH REPUBLIC

6. Datum protokolu, vydaného touto zkušebnou
Date of report issued by that service

18.10.2022

7. Číslo protokolu, vydaného touto zkušebnou
Number of report issued by that service

D022-2323

8. Důvod pro rozšíření (je-li potřebné)
Reason (s) of extension (if applicable)

Změněna konstrukce pláště
Tread construction changed

9. Poznámky
Any remarks

N/A

10. Místo
Place

Praha
Prague

11. Datum
Date

Elektronický podpis: 18.1.2024

Certifikát autora podpisu:

Jméno: Ing. Bc. Ivan Novák

Vydal: PostSignum Qualified CA 4

Platnost do: 25.2.2026 11:49 +01:00

12. Podpis
Signature

13. K osvědčení je přiložen seznam dokumentů obsažených v homologačních podkladech uložených u homologačního orgánu, který udělil homologaci, a které lze obdržet na vyžádání.

Annexed to this communication is a list of documents in the approval file deposited at the Approval Authority which has considered this approval and which can be obtained upon request.

Seznam dokumentů
List of documents

- Žádost o rozšíření homologace / Request for extension
- Kótovaný profil pneumatiky / Dimensioned tyre cross-section
- Výkresy bočnice a běhounu pláště / Drawing of the tyre sidewalls and tread
- Prohlášení výrobce / Manufacturer's declaration
- Protokol o zkoušce dle bodu 7. / The test report as mentioned in item 7.

(1) Nehodící se škrtněte

Delete that which does not apply

(2) Seznam značek / ochranných známek nebo obchodních popisů / obchodních názvů může být přílohou k tomuto osvědčení

A list of brand name(s)/trademark(s) or trade description(s)/commercial name(s) may be annexed to this communication