

Ultra wide tolerance flange adaptor SERIES 3200

Enables the mechanical jointing of a flange and a pipe of various materials.



Description

- Ultra wide tolerance range: an average of 40 mm.
- Small number of models for a Nominal Diameter.
- Reliability:
 - Permanent leak tight joint when compressing the gasket between the end flange and the sleeve onto the pipe surface.
 - Blue epoxy powder coating (120 µm) and Dacromet® 500 Gr.B for the bolts.
- Ease and speed of installation:
 - ± 10° angular deflection by side,
 - Easy mounting with interchangeability of bolts direction,
 - Accommodates misalignment,
 - Absorbs expansion and contraction,
 - Important setting gap.
- Conformity to standards:
 - NFA 48 830: Foundry products – Spheroidal graphite cast iron fittings for PVC drinking water pipes under pressure.
 - EN 545: Ductile iron pipes, fittings, accessories and their joints for water pipelines – requirements and test methods.
 - EN 1092-2: Flanges and their joints – Circular flanges for pipes, valves, fittings and accessories, PN designated.
 - ISO 2531: Ductile iron pipes, fittings, accessories and their joints for water applications.
 - ISO 7005-2: Metallic flanges and cast iron flanges.
 - ISO 7483: Dimensions of gaskets for use with flanges to ISO 7005.
- Approval:
 - Drinking water approved.
- Nota:

This coupling does not resist to longitudinal forces and pipe pull out will occur. Ensure adequate restraint is provided.

Technical data

- Range: DN 50 to 800.
- Maximal working pressure: PN 16.
- Temperatures: +0°C to +60°C.
- Flange drilling according to ISO PN 10/16.
- Torque: 60 to 70 Nm.

Applications

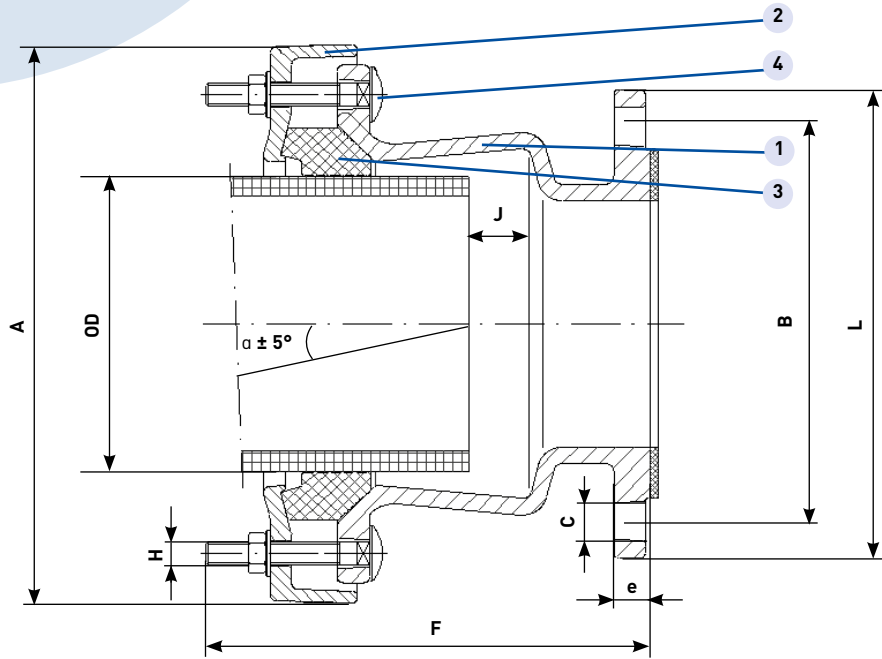
Particularly design for asbestos cement or concrete pipe.

Used as straight or stepped flange adaptor on:

- Drinking water networks.
- Irrigation networks.
- Sewage networks.

Tests

- Sealing test according to standard ISO 2531.



Item	Designation	Qty	Materials	Standards
1	Flange	1	Ductile iron/EN-GJS-500-7	EN 1563
2	End-flange	1	Ductile iron/EN-GJS-500-7	EN 1563
3	Gasket	1	EPDM	EN 681-1
4	Bolts	acc/DN	Steel C45 Cl. 8.8*	10083-2

* Stainless steel on request

SERIES 3200 ULTRA WIDE TOLERANCE FLANGE ADAPTOR

Ref.	DN	OD mm	A mm	L mm	e mm	B mm	C mm	F mm	H mm	J mini. mm	J max. mm	Weight Kg
3201	50	40-75	215	165	18	125	18	205	3-M14x60	0	55	7.7
3202	60/65	60-95	235	185	18	135/145	18	205	4-M14x80	0	60	9.3
3203	80	80-115	260	200	20	160	18	245	4-M14x80	0	80	12.9
3204	100	105-135	280	220	20	180	18	245	4-M14x80	0	80	15.4
3205	125	130-165	310	250	22	210	18	275	4-M14x100	0	80	19.5
3206	150	155-195	340	285	22	240	23	275	4-M14x100	0	80	23.8
3207	175	190-230	375	315	24	270	23	275	4-M14x100	0	80	28.3
3208	200	215-258	400	340	24	295	23	275	6-M14x100	0	80	30.9
3209	225	240-280	425	370	26	325	23	290	6-M16x100	0	95	37.6
3210	250	235-275	420	405	26	350/355	28	290	6-M16x100	0	95	39.0
3210-A	250	270-310	455	405	26	350/355	28	290	6-M16x100	0	95	42.0
3211	300	310-350	495	460	28	400/410	23/27	290	6-M16x100	0	95	49.5
3211-A	300	350-390	535	460	28	400/410	23/27	320	6-M16x100	0	85	55.2
3212	350	350-390	535	520	30	460/470	23/27	290	6-M16x100	0	95	58.4
3212-A	350	395-435	580	520	30	460/470	23/27	320	6-M16x100	0	95	65.5
3213	400	400-435	580	580	32	515/525	27/30	300	6-M16x100	0	95	69.4
3213-A	400	435-470	615	580	32	515/525	27/30	330	6-M16x100	0	95	76.1
3213-B	400	470-505	650	580	32	515/525	27/30	340	6-M16x100	0	95	80.7
3214	450	455-490	635	640	32	565/585	27/30	300	6-M16x100	0	95	79.9
3214-A	450	490-525	670	640	32	565/585	27/30	300	6-M16x100	0	95	83.2
3215	500	505-540	685	715	34	620/650	27/33	250	10-M16x100	0	110	81.8
3215-A	500	540-575	720	715	34	620/650	27/33	325	10-M16x100	0	95	89.8
3215-B	500	575-610	755	715	34	620/650	27/33	325	10-M16x100	0	95	93.6
3216	600	610-645	790	840	36	725/770	30/36	250	10-M16x100	0	110	102.3
3216-A	600	645-680	825	840	36	725/770	30/36	330	10-M16x100	0	95	113.9
3216-B	600	680-715	860	840	36	725/770	30/36	330	10-M16x100	0	95	116.8
3217	700	710-745	890	910	36	840	36	251	12-M16x100	0	110	85.2
3218	800	810-845	990	1025	38	950	39	251	12-M16x100	0	110	98.8

BELGICAST Internacional, S.L.

Bº zabalondo, 31 | 48100 Mungia (Bizkaia) | Spain | Phone: +34 94 488 91 00

BELGICAST - SERIES 3200 ULTRA WIDE TOLERANCE FLANGE ADAPTOR - EN

The technical data and performance can be modified without prior notice depending on the technical evolution.