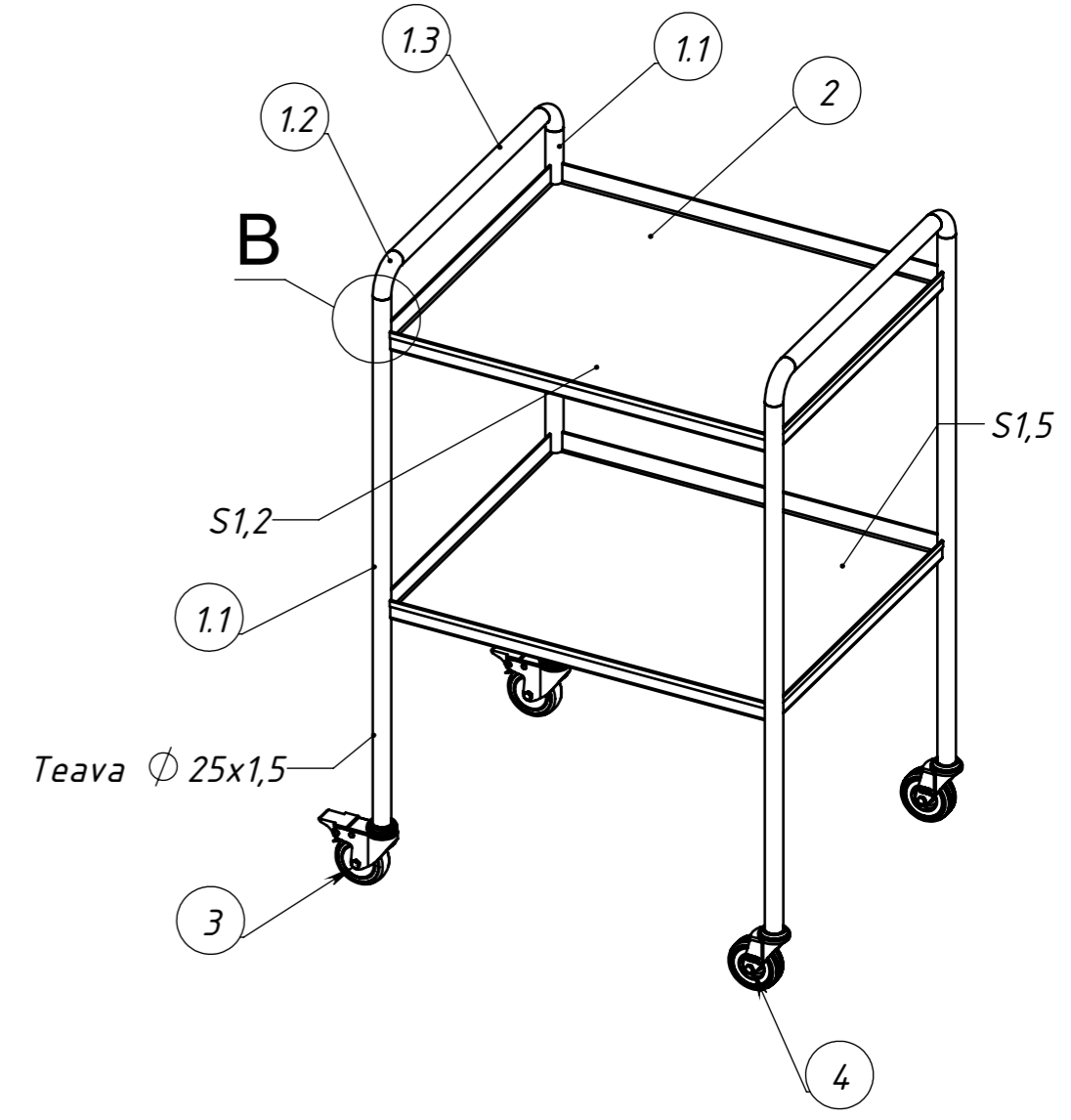
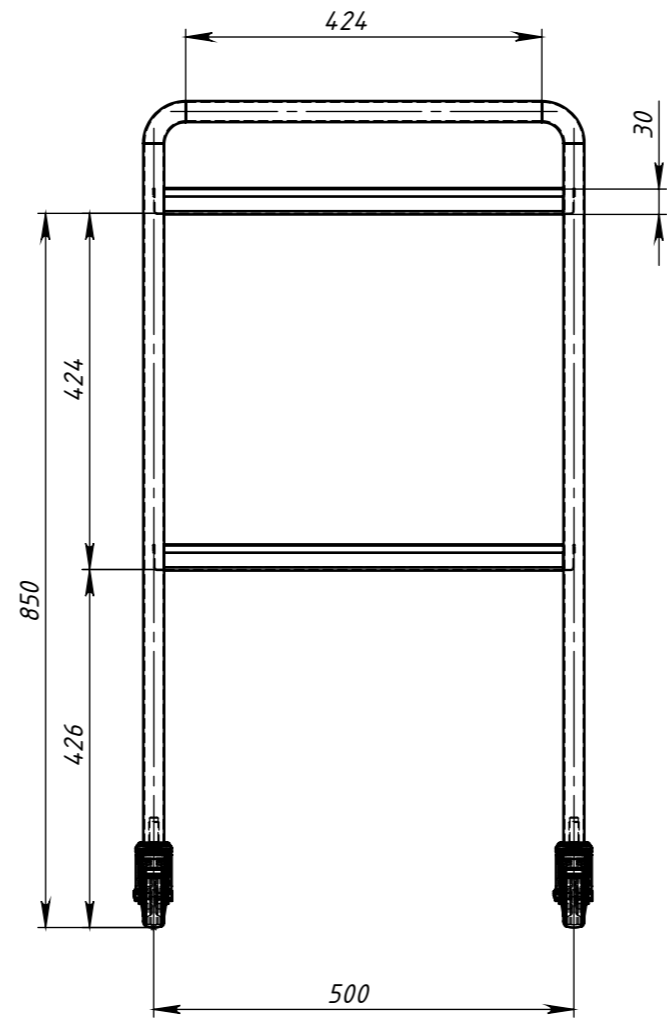
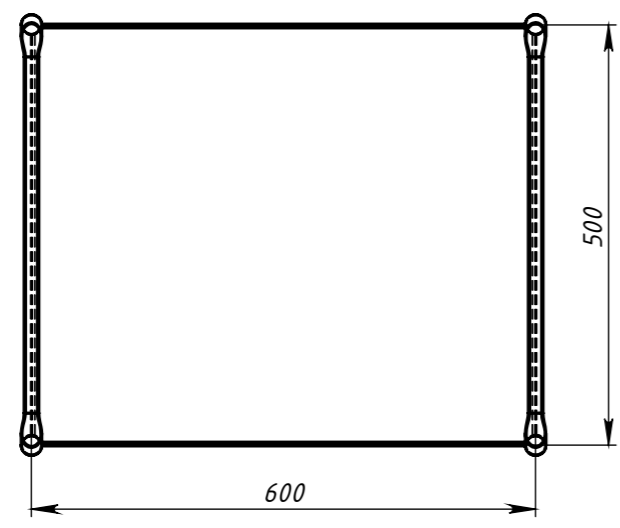
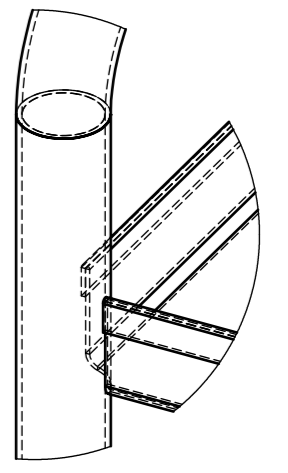


A-A (1 : 9)



B (1 : 2)



ITEM NO.	PART NUMBER	DESCRIPTION	ДЛИНА	QT.Y.
1	Carcasa 500			2
1.1		Teava Ø 25x1,5	832	2
1.2		Cot Ø 25x1,5	90°	2
1.3		Teava Ø 25x1,5	424	1
2	Polita 600x500	S1.5		2
3	Roata 75 fr			2
4	Roata 75			2

<b>No</b>	
Client	-
Inginer	Pleşivţev Artiom
Termen ex.	..._.2024

Carucior 600x500x850 cu nivele

