

Atlas Copco Stationary Air Compressors

GA 200, GA 250, GA 315 60 Hz

GA 200 W, GA 250 W, GA 315 W 60 Hz

Parts list

From following serial No. onwards :

AIF - 063 865

- Copyright 2005, Atlas Copco Airpower n.v., Antwerp, Belgium.
Any unauthorized use or copying of the contents or any part thereof is prohibited. This applies in particular to trademarks, model denominations, part numbers and drawings.
- **Use only authorized parts.** Any damage or malfunction caused by the use of unauthorized parts is not covered by Warranty or Product Liability.

No. 2930 1292 04

Registration code: APC G \geq 90 / 39

Replaces No. 2930 1292 03

2005-12

www.atlascopco.com

Atlas Copco

Contents
Inhoud
Innehåll
Inhaltsverzeichnis
Table des matières
Indice

Indice
Innehållsförtegnelse
Indice
Indholdsfortegnelse
Sisällysluettelo

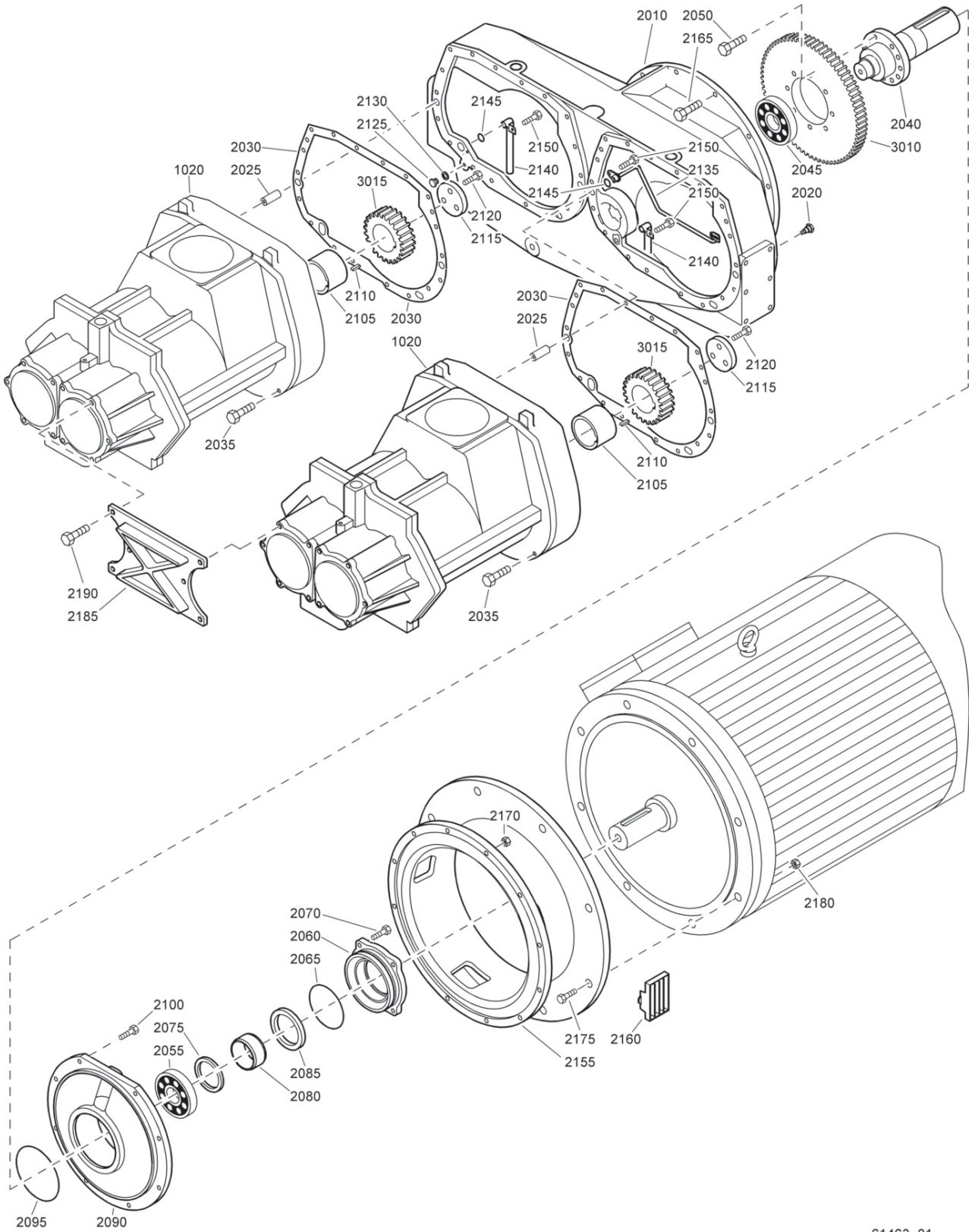
Unloading valve Ontlastventiel Avlastningsventil Entlastungsventil Soupape de décharge Válvula de descarga Valvola di messa a vuoto Aflastningsventil Válvula de descarga Avlastningsventil Kevennysventtiili	1	Air outlet Luchtuitlaat Luftutlopp Luftauslaß Sortie d'air Salida de aire Mandata dell'aria Luftafgang Saida de ar Luftutløp Paineilmaputki	
Drive arrangement Aandrijfuitvoering Drivarrangemang Antriebsanordnung Dispositif d'entraînement Disposición de accionamiento Disposizione di azionamento Arrangement Disposição de accionamento Drivarrangement Rakenne	2	- Pack	8
Air inlet Luchtinlaat Luftintag Lufteinlaß Admission d'air Entrada de aire Presa d'aria Luftindsug Admissão de ar Luftinnløp Tuloilma	3	- Full-feature	9
Air receiver Luchtketel Luftbehållare Luftbehålder Réservoir d'air Depósito de aire Serbatoio dell'aria Luftbeholder Reservatório de ar Luftbeholder Ilmasäiliö		- Full-feature + DD filter	10
- 3)	4	Cooler(s) Koeler(s) Kylare Kühler Refrroidisseur(s) Refrigerador(es) Refrigeratore(i) Kølere Refrigerador(es) Kjøler(e) Jäähdyttimet	
- 4)	5	- GA	11
Air and oil system Lucht- en oliesysteem Luft- och oljesystem Luft- und Ölsystem Système d'air et d'huile Sistema de aire y aceite Sistema di aria e olio Luft- og oliesystem Circuitos de ar e óleo Luft- og oljesystem Ilma- ja öljyjärjestelmä		- GA W	12
- GA	6	Frame and coupling Frame en koppeling Ram och koppling Rahmen und Kupplung Châssis et accouplement Bastidor y acoplamiento Telaio e giunto Ramme og kobling Base e acoplamento Ramme og kopling Runko ja kytkin	13
- GA W	7	Fan and cooling duct plates - GA Ventilator en koelluchtgeleideplaten Fläkt och kylkanalplåtar Ventilator und Kühlluftleitbleche Ventilateur et conduits de refroidissement Ventilador y paneles de conducción de refrigeración Ventilatore e intubatura Ventilator og køleledeplader Ventilador e paineis das condutas de refrigeração Vifte og kjølekanalplater Puhallin ja jäähdytyskanavalevyt	14
		Regulating system Regelsysteem Reglersystem Regelsystem Système de régulation Sistema de regulación Sistema di regolazione Reguleringssystem Sistema de regulação	

Reguleringssystem		Start cubicle - star/delta	
Säätöjärjestelmä		Startkast - ster/driehoek	
- 1)	15	Startskåp - stjärn/triangel	
- 2)	16	Anlaßschrank - Stern/Dreieck	
Drain system		Armoire de démarrage - étoile/triangle	
Aftapsysteem		Cubículo de arranque - estrella/triángulo	
Avtappningssystem		Armadio apparecch. di avviamento - stella/triangolo	
Ablaufsystem		Starterskab - stjerne/trekant	
Système de vidange		Cubículo-arranque estrela/triángulo	
Sistema de drenaje		Startskap - stjerne-trekant	
Sistema di scarico		Käynnistinkotelo - Y/D	
Dränsystem		- Control Voltage 230/24V-Full options - 1)	26
Sistema de drenagem de condensados		- Control Voltage 230/24V-Full options - 2)	27
Avtappingssystem		- Control Voltage 115/24V-CSA/UL-Full options - 1)	28
Lauhteenpoistojärjestelmä		- Control Voltage 115/24V-CSA/UL-Full options - 2)	29
- Basic- and DD-filter drain	17	- Control Voltage 230/24V-COM 1option only - 1) ...	30
- Electronic Drain System	18	- Control Voltage 230/24V-Basic parts - 2)	31
- Oil Separator Condensate Drain	19	- Control Voltage 115/24V-CSA/UL-COM option only - 1)	32
Bodywork		Start cubicle - without starter	
Carrosserie		- Control Voltage 230/24V-Full options - 1)	33
Karosseri		- Control Voltage 230/24V-Full options - 2)	34
Karosserie		- Control Voltage 115/24V-CSA/UL-Full options - 1)	35
Capotage		- Control Voltage 115/24V-CSA/UL-Full options - 2)	36
Carrocería		Service kits	
Cappottatura		Service kits	
Karosseri		Service kits	
Carroceria		Service Kits	
Kabinett		Service kits	
Kotelo		Service kits	
- GA	20	Kit per la manutenzione	
- GA W	21	Service kits	
Cubicle		Conjuntos de reparação	
Kast		Servicesett	
Skåp		Huoltotarvikesarjat	37
Schaltschrank		1-3) Up to serial No. :	
Armoire		Tot seriennummer:	
Armario		T.o.m. tillverkningsnummer:	
Armadio elettrico		Bis Seriennummer:	
Elskab		Jusqu'au numéro de série:	
Quadro		Hasta el número de serie:	
Skap		Fino al numeri di serie:	
Kotelo		Gælder til følgende serienumre:	
- 1)	22	Até o número de série:	
- 2)	23	Til følgende serienummer:	
Air dryer		Seuraavaan valmistusnumeroon asti, No.:	
Luchtdroger		1) AIF-078 301	
Lufttorkare		3) AIF-084 624	
Lufttrockner		2-4) From following serial No. onwards:	
Sécheur d'air		Geldig vanaf volgend serienummer:	
Secador de aire		Fr.o.m. tillverkningsnummer:	
Essiccatore d'aria		Gültig ab Seriennummer:	
Lufttørrer		Valable à partir du numéro de série suivant:	
Secador de ar		A partir del siguiente número de serie:	
Lufttørker		Dai seguenti numeri di serie in avanti:	
Kuivain		Gælder fra følgende serienumre:	
- GA	24	A partir do número de série:	
- GA W	25	Fra og med følgende serienummer:	
		Alkaen valmistusnumerosta	
		2) AIF-078 302	
		4) AIF-084 625	

Unloading valve

Ref.	Part number	Qty	Name	Remarks	Ref.	Part number	Qty	Name	Remarks
	1614 9008 80	1	Unloader assembly		2009	0661 1000 36 ●●	1	Seal washer	
1010	1614 9008 00 ●	1	Valve housing		2010	1614 9154 00 ●●	1	Valve seat	
1015	2250 2528 00 ●	1	Plug screw		2015	1621 9133 00 ●●	1	Piston	
1020	0661 1000 31 ●	1	Seal washer		2016	1621 9146 00 ●●	1	Pin	
1025	1614 9173 00 ●	1	Valve		2017	1621 9145 00 ●●	1	Bushing	
1030	1619 6142 00 ●	1	Sealring		2018	0196 1552 98 ●●	1	Set screw	
1035	1619 6143 00 ●	1	Sealring		2020	0663 9868 00 ●●	1	O-ring	
1040	1614 9282 00 ●	1	Spring		2025	1614 9156 00 ●●	1	Spring	
1050	0663 2109 71 ●	1	O-ring		2030	1621 9136 00 ●●	1	Cover	
1055	0663 2109 73 ●	2	O-ring		2035	0335 2150 00 ●●	1	Circlips	
1060	0147 1326 03 ●	2	Bolt		2050	0686 3716 38 ●●	1	Plug	
1065	0147 1958 97 ●	2	Bolt		2055	0653 9078 00 ●●	1	Flat gasket	
1070	0301 2335 00 ●	4	Washer		2060	0686 4201 03 ●●	1	Plug	
	1614 9177 80	1	Cover assembly		2065	0653 0500 08 ●●	1	Flat gasket	
2005	1614 9177 00 ●●	1	Valve cover						

2

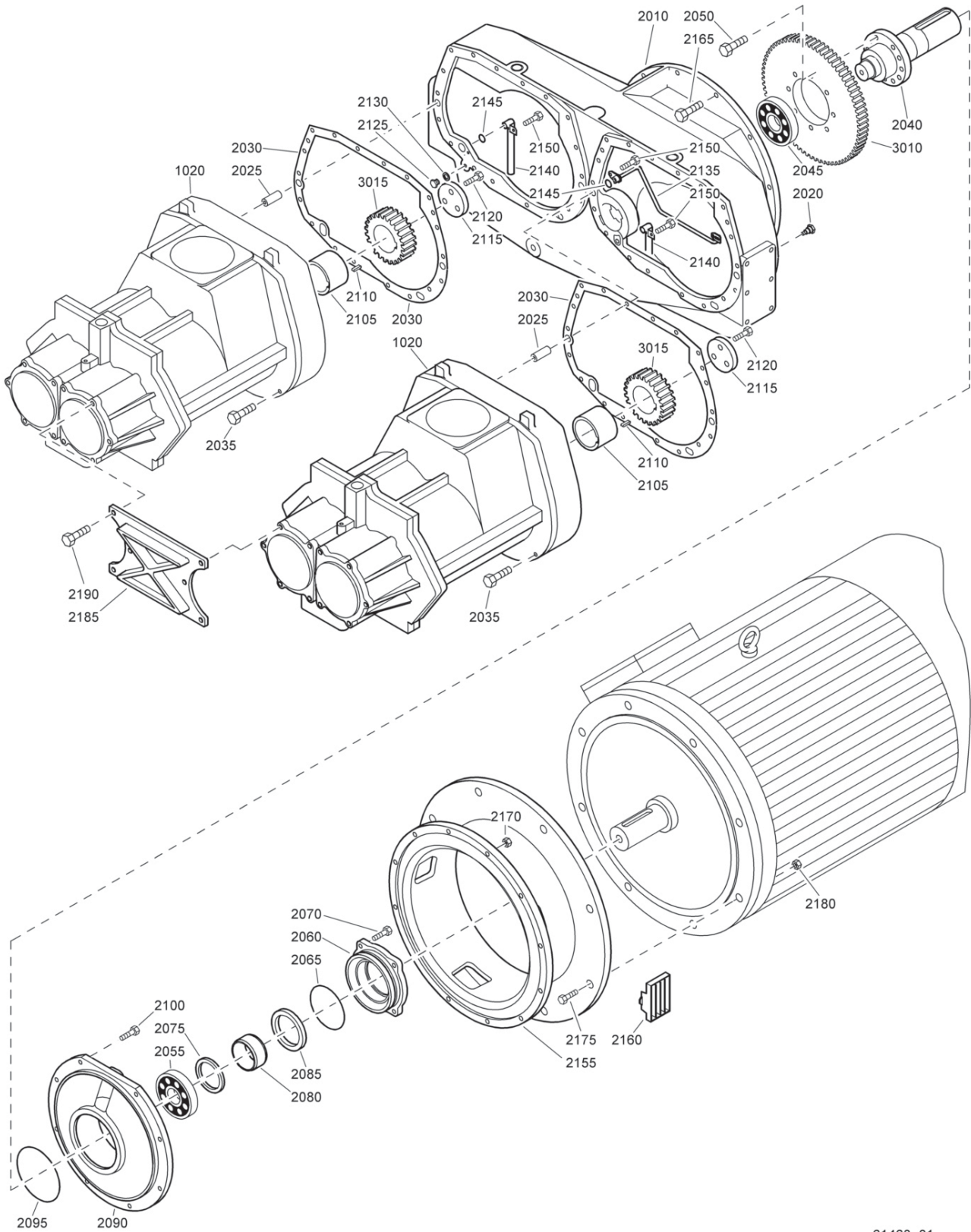


61463_01

Drive arrangement

Ref.	Part number	Qty	Name	Remarks	Ref.	Part number	Qty	Name	Remarks
1020	2989 0122 00	2	Service stage					ABB 6.6kV/60Hz	
2010	1616 5514 00	1	Gear casing					IEC_FF_740 NO_MOTOR	
2020	1619 6032 00	1	Nipple	1)	2160	1614 6611 00	3	Grating	
2025	0101 1626 00	4	Pin		2165	0147 1368 03	12	Bolt	
2030	1616 5551 00	2	Gasket		2170	0266 2111 00	12	Nut	
2035	0147 1380 03	36	Bolt		2175		8	Bolt	
2040	1616 5520 00	1	Drive shaft			0147 1555 03		GA200(W) ABB 400V/50Hz	
2045	0506 2109 00	1	Roller bearing					GA200(W) ABB 500V/50Hz	
2050	0211 1407 00	10	Cap screw					GA200(W) ABB 380V/60Hz	
2055	0506 0100 08	1	Roller bearing					GA200(W) ABB 440-460V/60Hz	
2060	1616 5515 00	1	Retainer					GA200(W) ABB 575V/60Hz	
2065	0663 2107 76	1	O-ring					GA200(W) WEG 380V/60Hz	
2070	0147 1364 03	4	Bolt					GA200(W) WEG 440-460V/60Hz	
2075	1616 5518 00	1	Washer					GA200(W) WEG 575V/60Hz	
2080	1616 5519 00	1	Bushing					GA250(W) ABB 400V/50Hz	
2085	1614 9506 00	1	Seal					GA250(W) ABB 500V/50Hz	
2090	1616 5516 00	1	Bearing housing					GA250(W) ABB 380V/60Hz	
2095	0663 2108 28	1	O-ring					GA250(W) ABB 440-460V/60Hz	
2100	0147 1365 03	8	Bolt					GA250(W) ABB 575V/60Hz	
2105	2254 8831 00	2	Bushing					GA315(W) ABB 400V/50Hz	
2110	0337 6074 00	2	Parallel key					GA315(W) ABB 500V/50Hz	
2115	2252 5470 00	2	Washer					GA315(W) ABB 380V/60Hz	
2120	0211 1409 00	6	Cap screw					GA315(W) ABB 440-460V/60Hz	
2125	0686 3716 02	3	Plug					GA315(W) ABB 575V/60Hz	
2130	0661 1000 27	3	Seal washer					ABB 3KV/50Hz	
2135	1616 6248 00	1	Oil pipe					ABB 3.3KV/50Hz	
2140	1616 6247 00	2	Drain pipe					ABB 6KV/50Hz	
2145	0663 2109 73	3	O-ring					ABB 3.3kV/60Hz	
2150	0147 1244 03	4	Bolt					ABB 4.16kV/60Hz	
2155		1	Coupling housing					ABB 6.6kV/60Hz	
	1614 6795 00		GA200(W) ABB 400V/50Hz		0147 1958 65			IEC_FF_600 NO_MOTOR	
			GA200(W) ABB 500V/50Hz					GA250(W) WEG 380V/60Hz	
			GA200(W) ABB 380V/60Hz					GA250(W) WEG 440-460V/60Hz	
			GA200(W) ABB 440-460V/60Hz					GA250(W) WEG 575V/60Hz	
			GA200(W) ABB 575V/60Hz					GA315(W) WEG 380V/60Hz	
			GA200(W) WEG 380V/60Hz					GA315(W) WEG 440-460V/60Hz	
			GA200(W) WEG 440-460V/60Hz					GA315(W) WEG 575V/60Hz	
			GA200(W) WEG 575V/60Hz					ABB 3KV/50Hz	
			GA250(W) ABB 400V/50Hz					ABB 3.3KV/50Hz	
			GA250(W) ABB 500V/50Hz					ABB 6KV/50Hz	
			GA250(W) ABB 380V/60Hz					ABB 3.3kV/60Hz	
			GA250(W) ABB 440-460V/60Hz					ABB 4.16kV/60Hz	
			GA250(W) ABB 575V/60Hz		2180	0266 2116 00	8	Nut	
			GA250(W) WEG 380V/60Hz		2185	1616 5665 00	1	Plate	
			GA315(W) ABB 400V/50Hz		2190	0147 1366 03	6	Bolt	
			GA315(W) ABB 500V/50Hz		3010		1	Gear wheel	
			GA315(W) ABB 380V/60Hz			1614 9670 00		GA200-7.5bar	
			GA315(W) ABB 440-460V/60Hz					GA315-8.6bar	
			GA315(W) ABB 575V/60Hz					GA250-8.5bar 2)	
			IEC_FF_600 NO_MOTOR					GA315-6.9bar 2)	
	1614 7016 00		GA250(W) WEG 380V/60Hz			1614 9672 00		GA250-7.5bar	
			GA250(W) WEG 440-460V/60Hz			1614 9674 00		GA200-8.5bar	
			GA250(W) WEG 575V/60Hz					GA250-10bar 2)	
			GA315(W) WEG 380V/60Hz			1614 9676 00		GA250-8.5bar	
			GA315(W) WEG 440-460V/60Hz			1614 9678 00		GA200-10bar	
			GA315(W) WEG 575V/60Hz					GA250-8.6bar	
			ABB 3KV/50Hz			1614 9680 00		GA250-6.9bar 2)	
			ABB 3.3KV/50Hz			1614 9682 00		GA250-10bar	
			ABB 6KV/50Hz					GA200-13bar	
			ABB 3.3kV/60Hz					GA200-8.6bar	
			ABB 4.16kV/60Hz			1614 9684 00		GA200-10bar 2)	
								GA200-6.9bar 2)	
								GA250-8.6bar 2)	
								GA250-13bar	
								GA315-10.4bar	

2



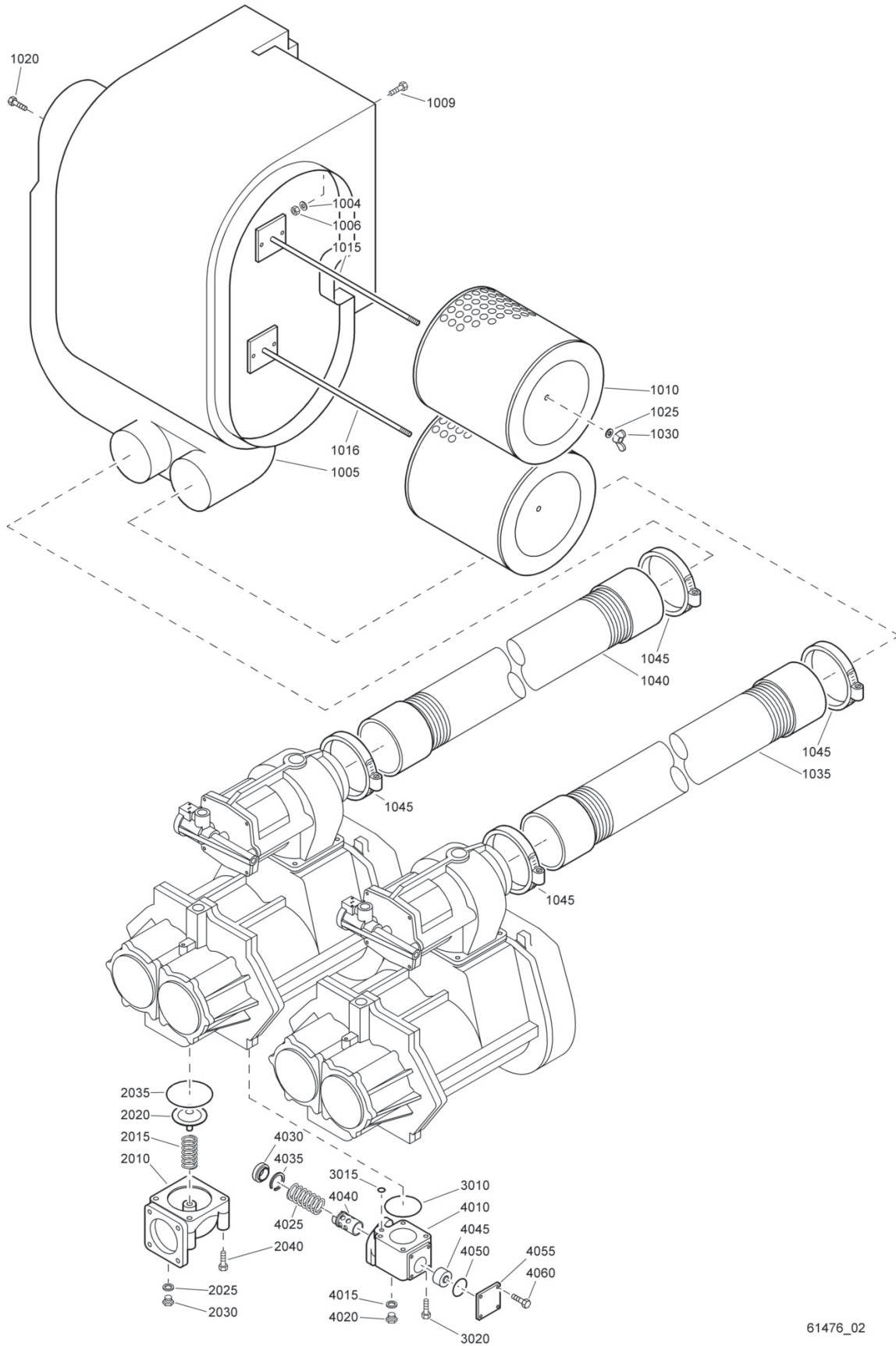
61463_01

Drive arrangement

Ref.	Part number	Qty	Name	Remarks
	1614 9686 00		GA200-6.9bar GA200-8.5bar 2) GA315-10.4bar 2)	
	1614 9688 00		GA315-6.9bar GA250-7.5bar 2)	
	1614 9690 00		GA200-10.4bar GA200-8.6bar 2)	
	1614 9692 00		GA250-10.4bar GA315-13.8bar	
	1614 9696 00		GA250-13.8bar GA250-10.4bar 2)	
	1614 9698 00		GA200-7.5bar 2) GA315-8.6bar 2)	
3015	1614 9700 00	2	GA250-6.9bar Gear wheel	
	1614 9671 00		GA200-7.5bar GA315-8.6bar GA250-8.5bar 2) GA315-6.9bar 2)	
	1614 9673 00		GA250-7.5bar	
	1614 9675 00		GA200-8.5bar GA250-10bar 2)	
	1614 9677 00		GA250-8.5bar	
	1614 9679 00		GA200-10bar GA250-8.6bar GA250-6.9bar 2)	
	1614 9681 00		GA250-10bar	
	1614 9683 00		GA200-13bar GA200-8.6bar GA200-10bar 2) GA200-6.9bar 2) GA250-8.6bar 2)	
	1614 9685 00		GA250-13bar GA315-10.4bar	
	1614 9687 00		GA200-6.9bar GA200-8.5bar 2) GA315-10.4bar 2)	
	1614 9689 00		GA315-6.9bar GA250-7.5bar 2)	
	1614 9691 00		GA200-10.4bar GA200-8.6bar 2)	
	1614 9693 00		GA250-10.4bar GA315-13.8bar	
	1614 9697 00		GA250-13.8bar GA250-10.4bar 2)	
	1614 9699 00		GA200-7.5bar 2) GA315-8.6bar 2)	
	1614 9701 00		GA250-6.9bar	

- 1) Vibration monitoring "Shock Pulse Measurement" / Trillingskontrole "SPM" / Vibrationskontroll "Stötpuls-mätning" / Schwingungsüberwachung "SPM" / Surveillance des vibrations "SPM" / Monitorización de vibraciones "SPM" / Controllo di vibrazione "SPM" / Vibrationsovervågning "SPM" / Controllo de vibrações SPM / Vibrasjonsovervåking "SPM" / SPM-tärinävalvonta
- 2) High Ambient Temperature / Hoge Omgevingstemperatuur / Hög Omgivningstemperatur / Hohe Umgebungstemperatur / Haute Température Ambiante / Alta Temperatura Ambiente / Alta Temperatura Ambiente / Høj Omgivende Temperatur / Temperatura Ambiente Elevada / Høy Omgivelsestemperatur / HAT - tropiikkiversiot

3



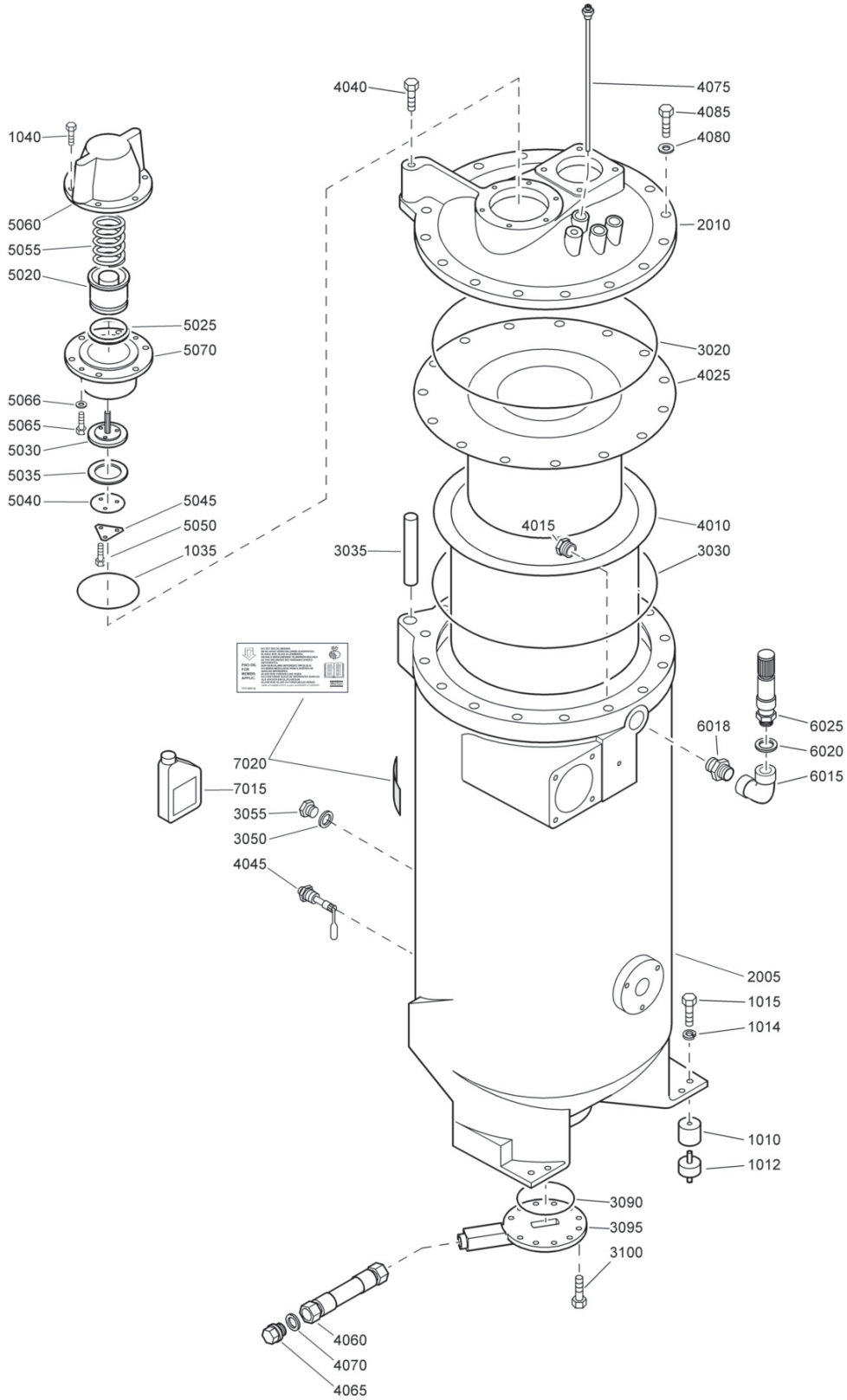
61476_02

Air inlet

Ref.	Part number	Qty	Name	Remarks	Ref.	Part number	Qty	Name	Remarks
1004	0301 2335 00	2	Washer		3010	0663 2106 15	2	O-ring	
	1614 9515 80	1	Filter housing	1)	3015	0663 2108 12	2	O-ring	
1005	1614 9515 00	1	Filter housing		3020	0147 1379 03	8	Bolt	
1006	0266 2110 00	2	Nut			1614 9185 80	2	Oil stop valve	
1009	1079 1472 06	7	Bolt		4010	1614 9185 00	1	Valve housing	
1010	1030 0979 00	2	Air filter		4015	0661 1000 25	1	Seal washer	
1015	1614 9587 02	1	Rod		4020	0686 3716 01	1	Plug	
1016	1614 9587 03	1	Rod		4025	2254 9868 00	1	Compr.spring	
1020	0147 1323 03	4	Bolt		4030	2252 6269 00	1	Spring guide	
1025	0301 2358 00	2	Washer		4035	0335 2145 00	1	Int.circlip	
1030	0296 1112 02	2	Wing nut		4040	2255 2751 00	1	Valve	
1035	1614 9516 00	1	Hose		4045	2255 2813 00	1	Piston	
1040	1614 9887 00	1	Hose		4050	0663 2106 12	1	O-ring	
1045	0347 6121 00	4	Hose clip		4055	1614 9120 00	1	Cover	
2010	1614 6425 00	2	Housing		4060	0147 1325 03	4	Bolt	
2015	2254 8075 00	2	Compr.spring						
2020	2254 5324 00	2	Check valve						
2025	0661 1000 25	4	Seal washer						
2030	0686 3716 01	4	Plug						
2035	0663 2106 20	2	O-ring						
2040	0147 1417 03	8	Bolt						

1) Lined with / Bekleed met / Beklädd med / Ausgekleidet mit / Garnir de / Rivestido de / Allineato con / Foret med / Revestido com / Kledd med / Vuorattu :
Foam: 0395 6001 69 (AR) 50 x 2040 x 1650

4

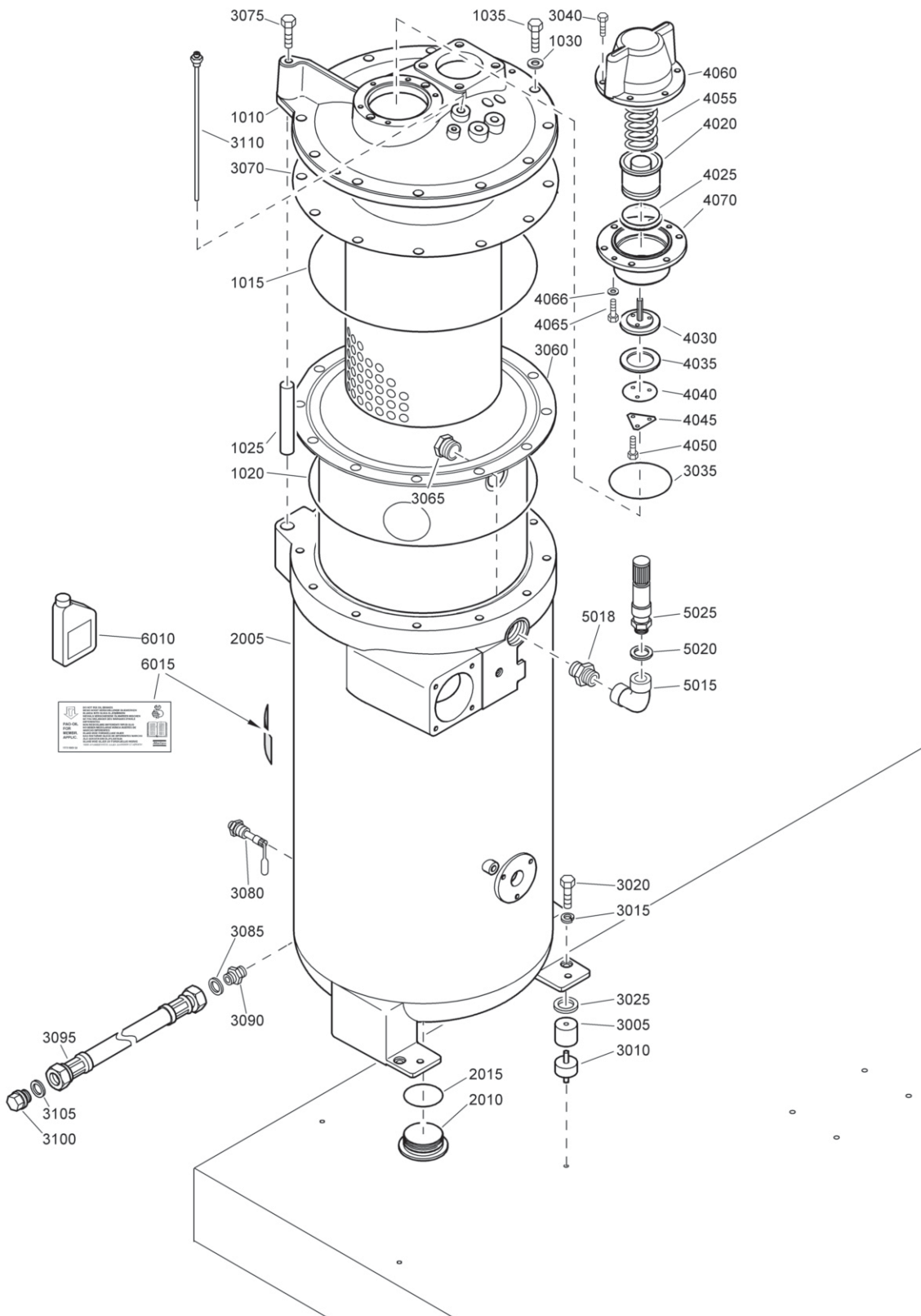


61565_03

Air receiver - 3)

Ref.	Part number	Qty	Name	Remarks	Ref.	Part number	Qty	Name	Remarks
1010	1614 9541 00	3	Spacer		6018		1	Hexagon nipple	
1012	1614 9542 00	3	Buffer			0603 5125 03		GA200 10-13bar (CE), GA200 100-125-150-200psi (CE), GA200 (As,D,CHINA,SINGAPORE), GA250 13bar (CE), GA250 150-200psi (CE), GA250 (As,D,CHINA,SINGAPORE) Others	
1014	0333 3232 00	3	Lock washer			0603 4108 03		Flat gasket	
1015	0147 1364 03	3	Bolt			0653 1189 00		GA200 10-13bar (CE), GA200 100-125-150-200psi (CE), GA200 (As,D,CHINA,SINGAPORE), GA250 13bar (CE), GA250 150-200psi (CE), GA250 (As,D,CHINA,SINGAPORE) Others	
1035	0663 2106 58	1	O-ring		6020		1	Safety valve	
1040	0147 1365 03	6	Bolt			0830 1008 14		11bar T-As GA200 7.5-8.5bar (CE), GA250 7.5-8.5bar (CE)	
		1	Air receiver			0830 1008 18		15bar T-As GA200 10-13bar (CE), GA200 100-125-150-200psi (CE), GA200 (As,D,CHINA,SINGAPORE), GA250 13bar (CE), GA250 150-200psi (CE), GA250 (As,D,CHINA,SINGAPORE)	
	1614 9518 80		CE			0830 1008 19		15bar T-As GA250 10bar (CE), GA250 100-125psi (CE), GA315 100-125-150-200psi (CE), GA315 (As,D,CHINA,SINGAPORE)	
	1614 9518 81		As		7015		2	Oil can	
	1614 9518 82		D, SINGAPORE			1613 6532 01		ROTO INJECT FLUID	
	1614 9518 83		CHINA			1613 9546 00		HD-ROTOFLUID PLUS	
2005		• 1	Vessel		7020		1	Label	
	1614 9518 08		CE			1079 9909 57		ROTO INJECT FLUID	
	1614 9518 02		As			1079 9920 76		HD-ROTOFLUID PLUS	
	1614 9518 05		D, SINGAPORE		3)			Up to serial No. :	
	1614 9518 18		CHINA					Tot serienummer:	
2010		• 1	Valve housing					T.o.m. tillverkningsnummer:	
	1614 9522 08		CE					Bis Seriennummer:	
	1614 9522 02		As					Jusqu'au numéro de série:	
	1614 9522 05		D, SINGAPORE					Hasta el número de serie:	
	1614 9522 18		CHINA					Fino al numeri di serie:	
3020	0663 2109 45	1	O-ring					Gælder til følgende serienumre:	
3030	0663 2109 45	1	O-ring					Até o número de série:	
3035	1614 9089 00	1	Pivot pin					Til følgende serienummer:	
3050	0661 1000 31	1	Seal washer					Seuraavaan valmistusnumeroon asti, No.:	
3055	2250 2528 00	1	Plug screw					3) AIF-084 624	
3090	0663 2106 20	1	O-ring						
3095	1614 9003 00	1	Cover						
3100	0147 1962 29	11	Bolt						
4010	1614 9816 00	1	Shield						
4015	1614 9520 00	1	Bushing						
4025	1614 9521 00	1	Oil sep.element						
4040	0147 1479 03	1	Bolt						
4045	1614 9184 00	1	Level gauge						
4060	1621 9144 00	1	Hose assembly						
4065	1614 9146 00	1	Plug						
4070	0661 1000 29	1	Seal washer						
4075	1614 9525 00	1	Suction pipe						
4080	0301 2394 00	16	Washer						
4085	0147 1962 38	16	Bolt						
	1614 9523 80	1	Min.press.valve						
5020	1614 7277 00	• 1	Piston						
5025	1619 6199 00	• 1	Sealring						
5030	1614 7276 00	• 1	Check valve						
5035	1614 7279 00	• 1	Washer						
5040	1614 7281 00	• 1	Washer						
5045	2254 9215 00	• 1	Lockplate						
5050	0147 1322 03	• 3	Bolt						
5055	1614 7280 00	• 1	Compr.spring						
5060	1614 9523 00	• 1	Cover						
5065	0147 1958 97	• 2	Bolt						
5066	0301 2335 00	• 2	Washer						
5070	1614 9524 00	• 1	Sleeve						
6015		1	Elbow						
	0560 0200 24		GA200 10-13bar (CE), GA200 100-125-150-200psi (CE), GA200 (As,D,CHINA,SINGAPORE), GA250 13bar (CE), GA250 150-200psi (CE), GA250 (As,D,CHINA,SINGAPORE) Others						
	0560 0200 56		Others						

5

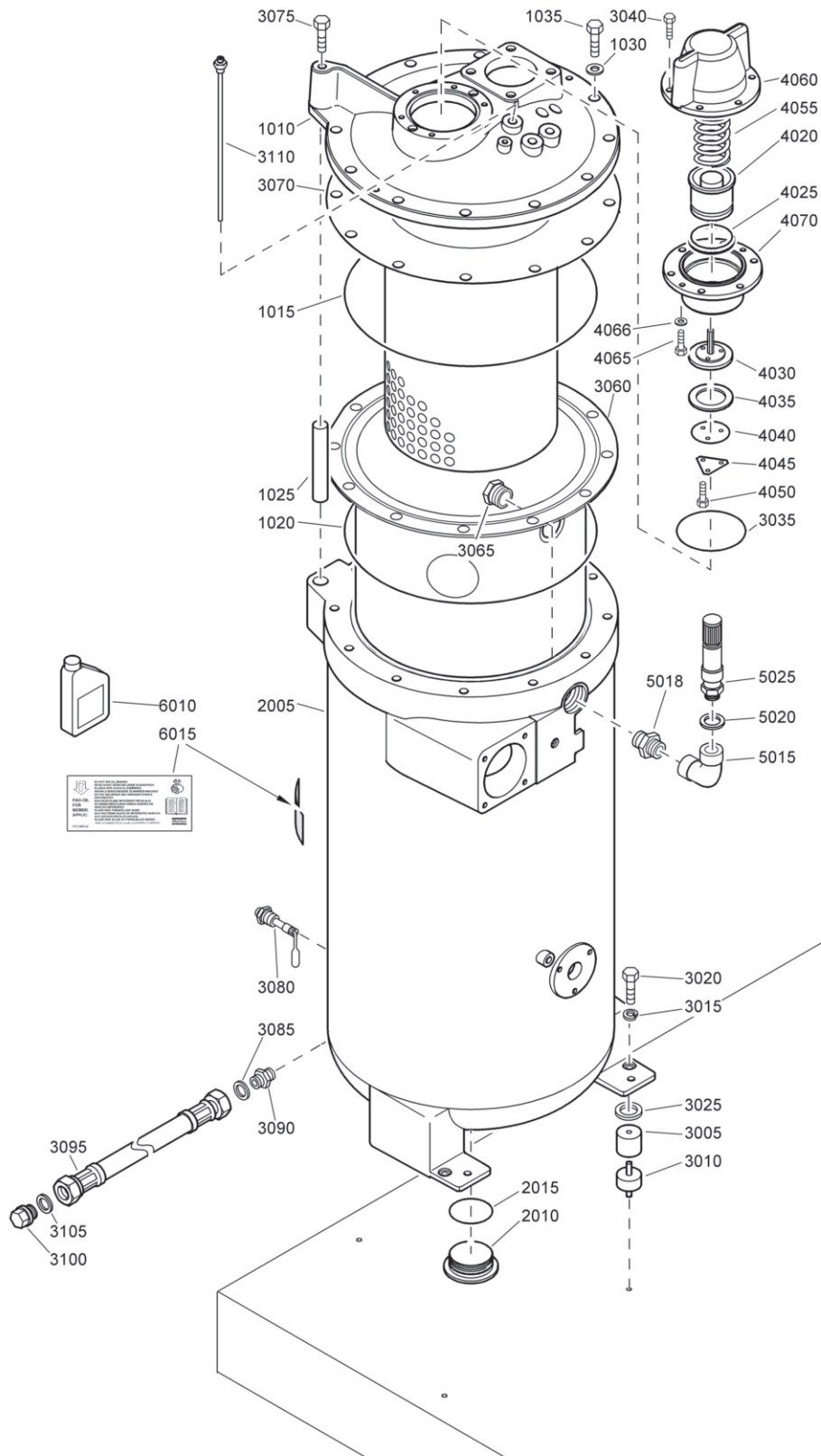


63123_03

Air receiver - 4)

Ref.	Part number	Qty	Name	Remarks	Ref.	Part number	Qty	Name	Remarks
		1	Air receiver			0560 0200 56		GA 250 8.5 bar(e) CE	
	1621 9361 80		CE			0560 0200 56		GA 250 8.6 bar(e) CE	
	1621 9361 85		ASME, DIR, SINGAPORE, CHINA			0560 0200 56		GA 250 10 bar(e) CE	
1010		• 1	Valve housing			0560 0200 24		GA 250 10.4 bar(e) CE	
	1621 9365 08		CE			0560 0200 24		GA 250 13 bar(e) CE	
	1621 9365 05		ASME, DIR, SINGAPORE, CHINA			0560 0200 24		GA 250 13.8 bar(e) CE	
1015	0663 2109 45	• 1	O-ring			0560 0200 24		GA 250 ASME	
1020	0663 2109 45	• 1	O-ring			0560 0200 24		GA 250 CHINA	
1025	1614 9089 00	• 1	Pivot pin			0560 0200 24		GA 250 DIR	
1030	0301 2394 00	• 12	Washer			0560 0200 24		GA 250 SINGAPORE	
1035	0147 1964 55	• 12	Bolt			0560 0200 56		GA 315 6.9 bar(e) CE	
2005		• 1	Vessel			0560 0200 56		GA 315 8.6 bar(e) CE	
	1621 9361 08		CE			0560 0200 56		GA 315 10.4 bar(e) CE	
	1621 9361 05		ASME, DIR, SINGAPORE, CHINA			0560 0200 56		GA 315 13.8 bar(e) CE	
2010	1621 9231 00	••	Plug			0560 0200 56		GA 315 ASME	
2015	0663 2111 17	••	O-ring		5018	0560 0200 56	1	GA 315 CHINA	
3005	1614 9541 00	3	Spacer			0603 5125 03		GA 315 DIR	
3010	1614 9542 00	3	Buffer			0603 5125 03		GA 315 SINGAPORE	
3015	0333 3232 00	3	Lock washer			0603 5125 03		Hexagon nipple	
3020	0211 1364 03	3	Cap screw			0603 4108 03		GA 200 6.9 bar(e) CE	
3025	0661 1000 31	3	Seal washer			0603 4108 03		GA 200 7.5 bar(e) CE	
3035	0663 2106 58	1	O-ring			0603 4108 03		GA 200 8.5 bar(e) CE	
3040	0147 1365 03	6	Bolt			0603 5125 03		GA 200 8.6 bar(e) CE	
3060	1621 9374 00	1	Shield			0603 5125 03		GA 200 10 bar(e) CE	
3065	1614 9520 00	1	Bushing			0603 5125 03		GA 200 10.4 bar(e) CE	
3070	1621 9386 00	1	Oil sep.element			0603 5125 03		GA 200 13 bar(e) CE	
3075	0147 1479 03	1	Bolt			0603 5125 03		GA 200 13.8 bar(e) CE	
3080	1614 9184 00	1	Level gauge			0603 5125 03		GA 200 ASME	
3085	0661 1038 00	1	Sealing washer			0603 5125 03		GA 200 CHINA	
3090	1619 6249 00	1	Nipple			0603 5125 03		GA 200 DIR	
3095	1621 9144 00	1	Hose assembly			0603 4108 03		GA 200 SINGAPORE	
3100	1614 9146 00	1	Plug			0603 4108 03		GA 250 6.9 bar(e) CE	
3105	0661 1000 29	1	Seal washer			0603 4108 03		GA 250 7.5 bar(e) CE	
3110	1614 9525 00	1	Suction pipe			0603 4108 03		GA 250 8.5 bar(e) CE	
	1614 9523 80	1	Min. press. valve			0603 4108 03		GA 250 8.6 bar(e) CE	
4020	1614 7277 00	• 1	Piston			0603 5125 03		GA 250 10 bar(e) CE	
4025	1619 6199 00	• 1	Sealring			0603 5125 03		GA 250 10.4 bar(e) CE	
4030	1614 7276 00	• 1	Check valve			0603 5125 03		GA 250 13 bar(e) CE	
4035	1614 7279 00	• 1	Washer			0603 5125 03		GA 250 13.8 bar(e) CE	
4040	1614 7281 00	• 1	Washer			0603 5125 03		GA 250 ASME	
4045	2254 9215 00	• 1	Lockplate			0603 5125 03		GA 250 CHINA	
4050	0147 1322 03	• 3	Bolt			0603 4108 03		GA 250 DIR	
4055	1614 7280 00	• 1	Compr.spring			0603 4108 03		GA 250 SINGAPORE	
4060	1614 9523 00	• 1	Cover			0603 4108 03		GA 315 6.9 bar(e) CE	
4065	0147 1958 97	• 2	Bolt			0603 4108 03		GA 315 8.6 bar(e) CE	
4066	0301 2335 00	• 2	Washer			0603 4108 03		GA 315 10.4 bar(e) CE	
4070	1614 9524 00	• 1	Sleeve			0603 4108 03		GA 315 13.8 bar(e) CE	
5015		1	Elbow			0603 4108 03		GA 315 ASME	
	0560 0200 24		GA 200 6.9 bar(e) CE		5020		1	Flat GA sket	
	0560 0200 56		GA 200 7.5 bar(e) CE			0653 1189 00		GA 200 6.9 bar(e) CE	
	0560 0200 56		GA 200 8.5 bar(e) CE			0653 1254 00		GA 200 7.5 bar(e) CE	
	0560 0200 24		GA 200 8.6 bar(e) CE			0653 1254 00		GA 200 8.5 bar(e) CE	
	0560 0200 24		GA 200 10 bar(e) CE			0653 1189 00		GA 200 8.6 bar(e) CE	
	0560 0200 24		GA 200 10.4 bar(e) CE			0653 1189 00		GA 200 10 bar(e) CE	
	0560 0200 24		GA 200 13 bar(e) CE			0653 1189 00		GA 200 10.4 bar(e) CE	
	0560 0200 24		GA 200 13.8 bar(e) CE			0653 1189 00		GA 200 13 bar(e) CE	
	0560 0200 24		GA 200 ASME			0653 1189 00		GA 200 13.8 bar(e) CE	
	0560 0200 24		GA 200 CHINA			0653 1189 00		GA 200 ASME	
	0560 0200 24		GA 200 DIR			0653 1189 00		GA 200 ASME	
	0560 0200 24		GA 200 SINGAPORE			0653 1189 00		GA 200 CHINA	
	0560 0200 56		GA 250 6.9 bar(e) CE			0653 1189 00		GA 200 CHINA	
	0560 0200 56		GA 250 7.5 bar(e) CE			0653 1189 00		GA 200 DIR	
						0653 1189 00		GA 200 SINGAPORE	
						0653 1254 00		GA 250 6.9 bar(e) CE	

5

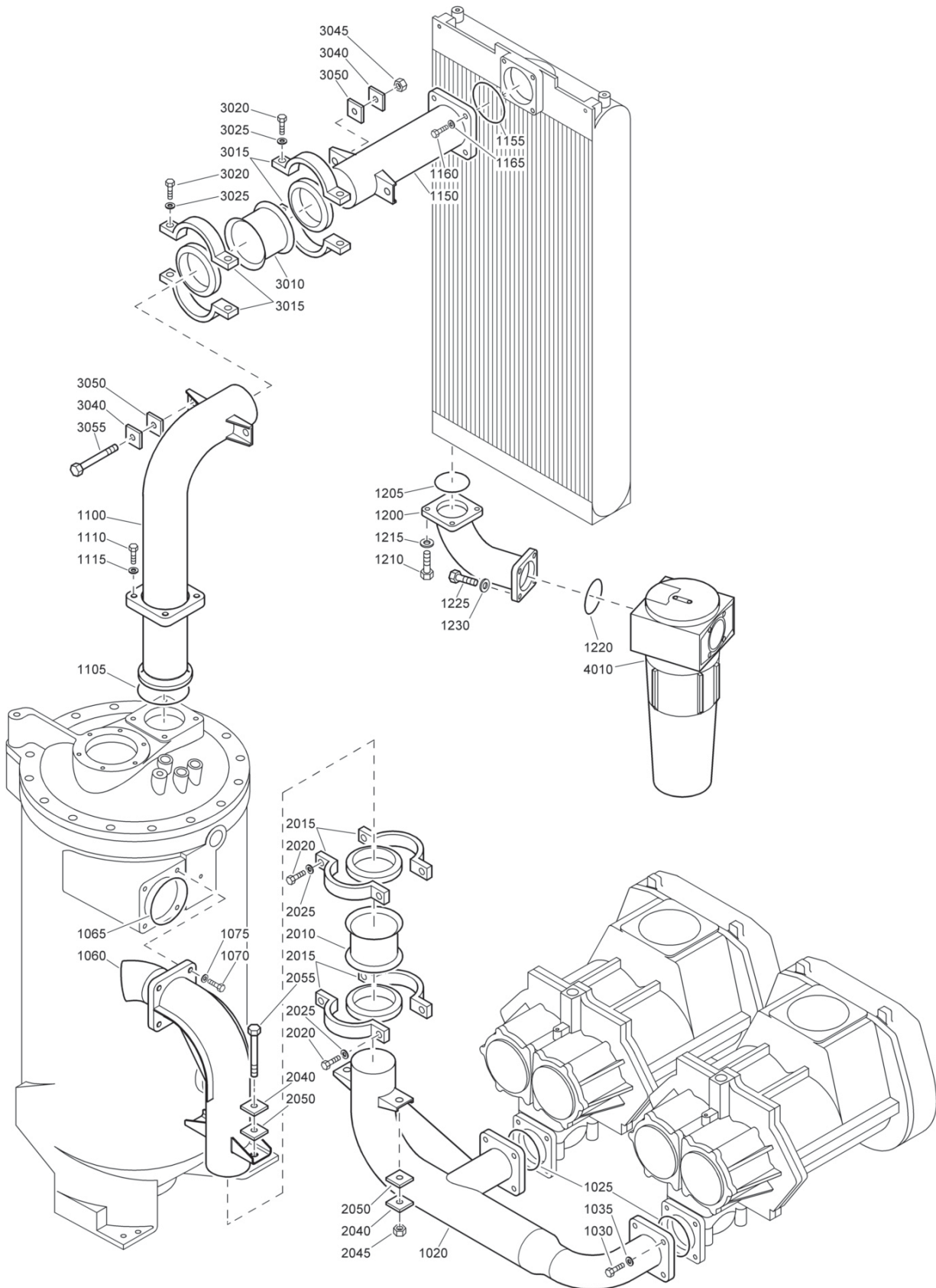


63123_03

Air receiver - 4)

Ref.	Part number	Qty	Name	Remarks	Ref.	Part number	Qty	Name	Remarks
	0653 1254 00		GA 250 7.5 bar(e) CE		6015		1	Label	
	0653 1254 00		GA 250 8.5 bar(e) CE			1079 9909 57		Roto Inject Fluid	
	0653 1254 00		GA 250 8.6 bar(e) CE			1079 9920 76		HD-Rotofluid Plus	
	0653 1254 00		GA 250 10 bar(e) CE						
	0653 1189 00		GA 250 10.4 bar(e) CE		4)			From following serial No. onwards:	
	0653 1189 00		GA 250 13 bar(e) CE					Geldig vanaf volgend serienummer:	
	0653 1189 00		GA 250 13.8 bar(e) CE					Fr.o.m. tillverkningsnummer:	
	0653 1189 00		GA 250 ASME					Gültig ab Seriennummer:	
	0653 1189 00		GA 250 CHINA					Valable à partir du numéro de série suivant:	
	0653 1189 00		GA 250 DIR					A partir del siguiente número de serie:	
	0653 1189 00		GA 250 SINGAPORE					Dai seguenti numeri di serie in avanti:	
	0653 1254 00		GA 315 6.9 bar(e) CE					Gælder fra følgende serienummer:	
	0653 1254 00		GA 315 8.6 bar(e) CE					A partir do número de série:	
	0653 1254 00		GA 315 10.4 bar(e) CE					Fra og med følgende serienummer:	
	0653 1254 00		GA 315 13.8 bar(e) CE					Alkaen valmistusnumerosta	
	0653 1254 00		GA 315 ASME					4) AIF-084 625	
	0653 1254 00		GA 315 CHINA						
	0653 1254 00		GA 315 DIR						
	0653 1254 00		GA 315 SINGAPORE						
5025		1	Safety valve						
	0830 1008 18		GA 200 6.9 bar(e) CE						
	0830 1008 14		GA 200 7.5 bar(e) CE						
	0830 1008 14		GA 200 8.5 bar(e) CE						
	0830 1008 18		GA 200 8.6 bar(e) CE						
	0830 1008 18		GA 200 10 bar(e) CE						
	0830 1008 18		GA 200 10.4 bar(e) CE						
	0830 1008 18		GA 200 13 bar(e) CE						
	0830 1008 18		GA 200 13.8 bar(e) CE						
	0830 1008 18		GA 200 ASME						
	0830 1008 18		GA 200 CHINA						
	0830 1008 18		GA 200 DIR						
	0830 1008 18		GA 200 SINGAPORE						
	0830 1008 19		GA 250 6.9 bar(e) CE						
	0830 1008 14		GA 250 7.5 bar(e) CE						
	0830 1008 14		GA 250 8.5 bar(e) CE						
	0830 1008 19		GA 250 8.6 bar(e) CE						
	0830 1008 19		GA 250 10 bar(e) CE						
	0830 1008 18		GA 250 10.4 bar(e) CE						
	0830 1008 18		GA 250 13 bar(e) CE						
	0830 1008 18		GA 250 13.8 bar(e) CE						
	0830 1008 18		GA 250 ASME						
	0830 1008 18		GA 250 CHINA						
	0830 1008 18		GA 250 DIR						
	0830 1008 18		GA 250 SINGAPORE						
	0830 1008 19		GA 315 6.9 bar(e) CE						
	0830 1008 19		GA 315 8.6 bar(e) CE						
	0830 1008 19		GA 315 10.4 bar(e) CE						
	0830 1008 19		GA 315 13.8 bar(e) CE						
	0830 1008 19		GA 315 ASME						
	0830 1008 19		GA 315 CHINA						
	0830 1008 19		GA 315 DIR						
	0830 1008 19		GA 315 SINGAPORE						
6010		2	Oil can						
	1613 6532 01		Roto Inject Fluid						
	1613 9546 00		HD-Rotofluid Plus						

6

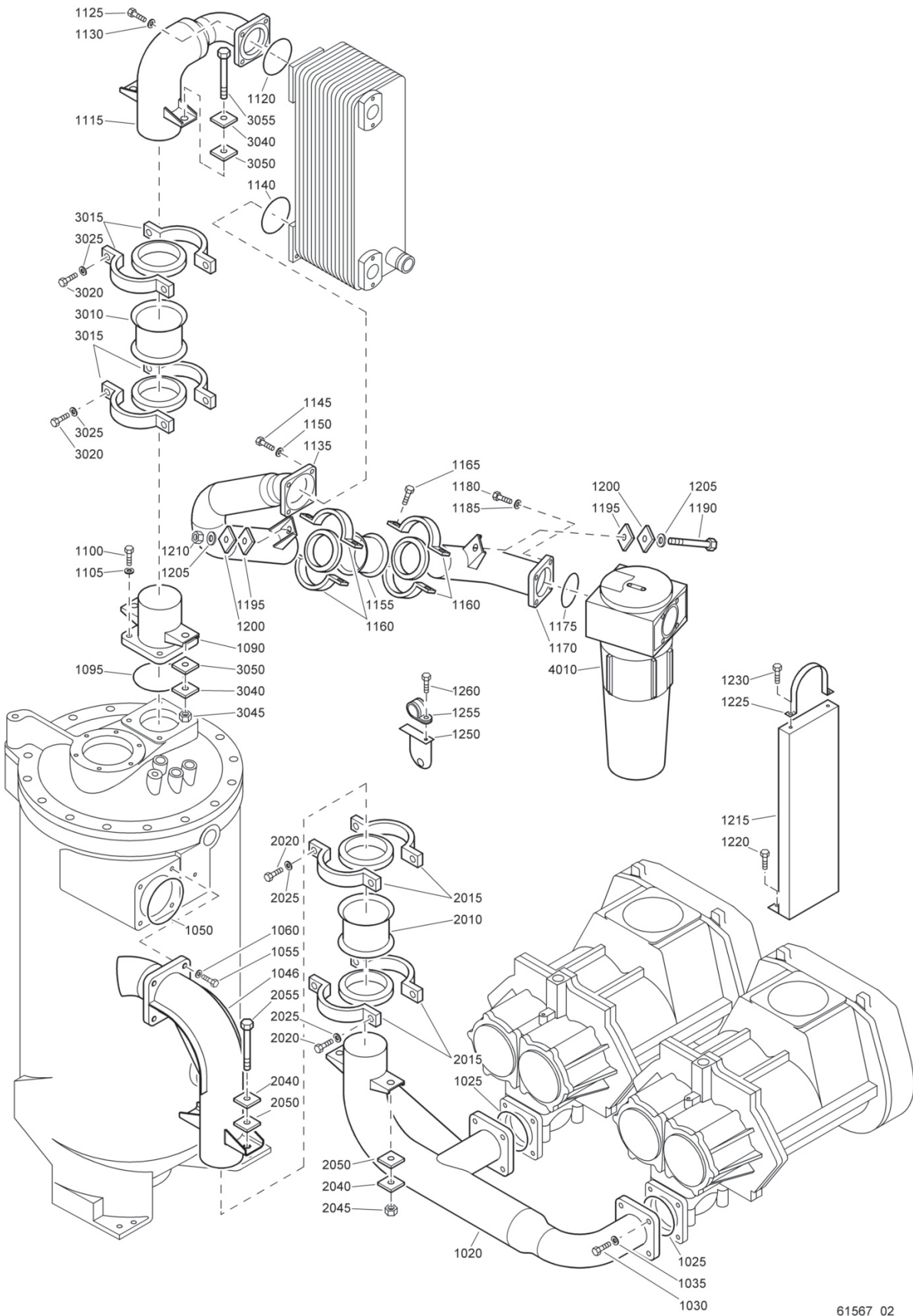


61566_02

Air and oil system - GA

Ref.	Part number	Qty	Name	Remarks	Ref.	Part number	Qty	Name	Remarks
1020	1614 9769 00	1	Manifold		2010	1614 9512 00	1	Pipe	
1025	0663 2106 18	2	O-ring		2015	1614 9509 00	2	Connection	
1030	0147 1403 03	8	Bolt			1614 9513 00 •	1	Seal	
1035	0301 2358 00	8	Washer		2020	0147 1367 03	4	Bolt	
1060	1614 9847 00	1	Delivery pipe		2025	0301 2344 00	4	Washer	
1065	0663 2106 20	1	O-ring		2040	0306 2000 10	4	Washer	
1070	0147 1403 03	4	Bolt		2045	0291 1114 00	4	Locknut	
1075	0301 2358 00	4	Washer		2050	1614 8926 00	4	Absorber	
1100	1614 9918 00	1	Pipe		2055	0147 1503 03	2	Bolt	
1105	0663 2106 19	1	O-ring		3010	1614 9512 00	1	Pipe	
1110	0147 1404 03	4	Bolt		3015	1614 9509 00	2	Connection	
1115	0301 2358 00	4	Washer			1614 9513 00 •	1	Seal	
1150	1614 9531 00	1	Pipe		3020	0147 1367 03	4	Bolt	
1155	0663 2106 19	1	O-ring		3025	0301 2344 00	4	Washer	
1160	0147 1403 03	4	Bolt		3040	0306 2000 10	4	Washer	
1165	0301 2358 00	4	Washer		3045	0291 1114 00	4	Locknut	
1200	1614 9448 00	1	Pipe		3050	1614 8926 00	4	Absorber	
1205	0663 2106 15	1	O-ring		3055	0147 1503 03	2	Bolt	
1210	0147 1364 03	4	Bolt		4010		1	Water separator	
1215	0301 2344 00	4	Washer			1613 9463 81		Electronic Condensate	
1220	0663 2109 69	1	O-ring					Drain	
1225	0211 1401 03	4	Cap screw			1613 9463 80		Others	
1230	0301 2358 00	4	Washer						

7



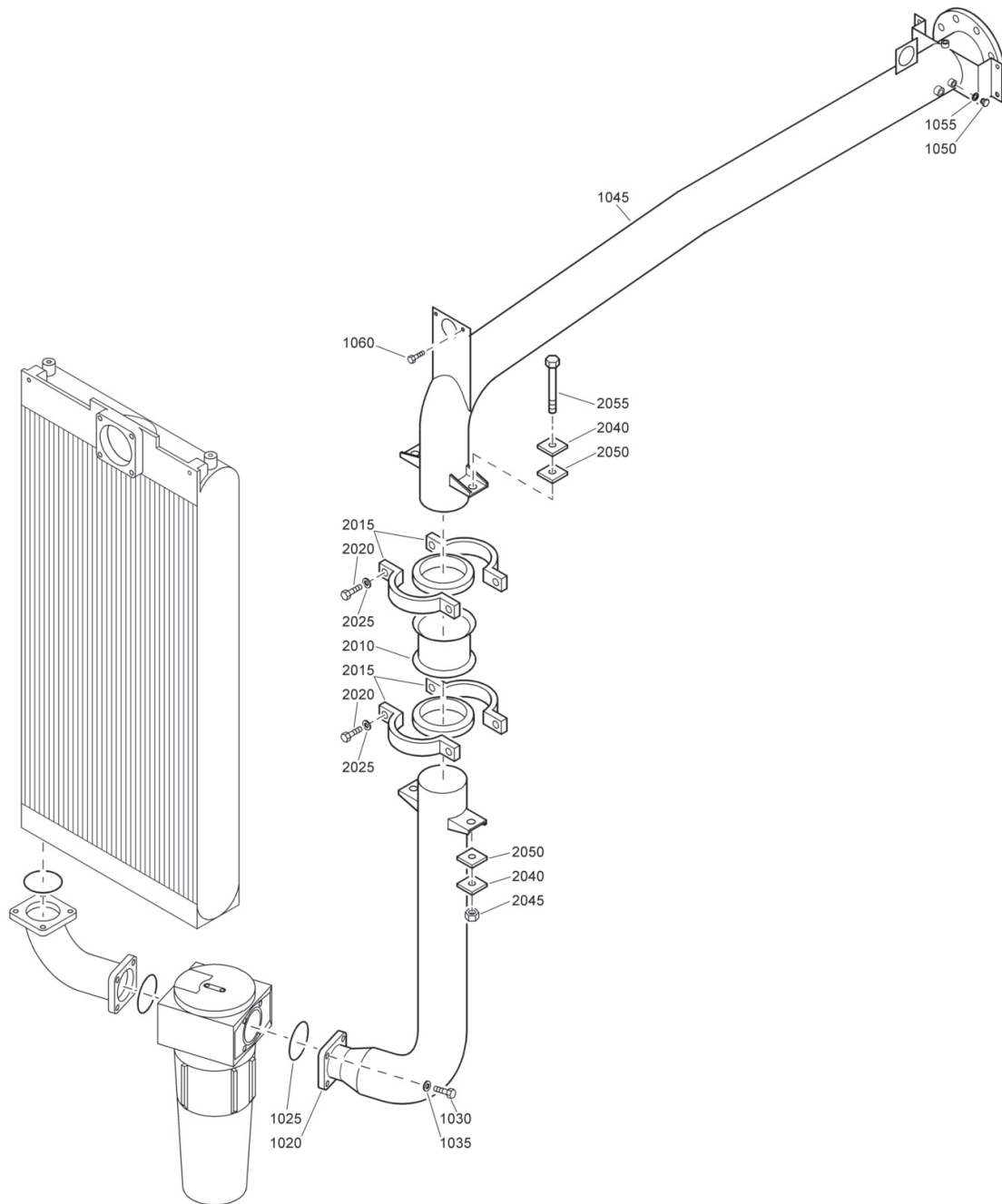
61567_02

Air and oil system - GA W

Ref.	Part number	Qty	Name	Remarks	Ref.	Part number	Qty	Name	Remarks
1020	1614 9769 00	1	Manifold		1205	0301 2344 00	4	Washer	
1025	0663 2106 18	2	O-ring		1210	0291 1114 00	4	Locknut	
1030	0147 1403 03	8	Bolt		1215	1614 9909 00	1	Support	
1035	0301 2358 00	8	Washer		1220	1619 2766 00	2	Bolt	
1046	1614 9847 00	1	Delivery pipe		1225	1614 9910 00	1	Support	
1050	0663 2106 20	1	O-ring		1230	1619 2766 00	2	Bolt	
1055	0147 1403 03	4	Bolt		1250	1614 9772 00	2	Support	
1060	0301 2358 00	4	Washer		1255	0346 1000 27	2	Pipe clamp	
1090	1614 9788 00	1	Pipe		1260	1619 2766 00	2	Bolt	
1095	0663 2106 20	1	O-ring		2010	1614 9512 00	1	Pipe	
1100	0147 1404 03	4	Bolt		2015	1614 9509 00	2	Connection	
1105	0301 2358 00	4	Washer			1614 9513 00 •	1	Seal	
1115	1614 9548 00	1	Pipe		2020	0147 1367 03	4	Bolt	
1120	0663 2106 17	1	O-ring		2025	0301 2344 00	4	Washer	
1125	0147 1363 03	4	Bolt		2040	0306 2000 10	4	Washer	
1130	0301 2344 00	4	Washer		2045	0291 1114 00	4	Locknut	
1135	1614 9789 00	1	Pipe		2050	1614 8926 00	4	Absorber	
1140	0663 2106 17	1	O-ring		2055	0147 1503 03	2	Bolt	
1145	0147 1363 03	4	Bolt		3010	1614 9512 00	1	Pipe	
1150	0301 2344 00	4	Washer		3015	1614 9509 00	2	Connection	
1155	1614 9066 00	1	Pipe			1614 9513 00 •	1	Seal	
1160	1614 9063 00	2	Joint set		3020	0147 1367 03	4	Bolt	
	1614 9064 00 •	1	Seal		3025	0301 2344 00	4	Washer	
1165	0147 1369 03	4	Bolt		3040	0306 2000 10	4	Washer	
1170	1614 9727 00	1	Pipe		3045	0291 1114 00	4	Locknut	
1175	0663 2109 69	1	O-ring		3050	1614 8926 00	4	Absorber	
1180	0211 1401 03	4	Cap screw		3055	0147 1503 03	2	Bolt	
1185	0301 2358 00	4	Washer		4010		1	Water separator	
1190	0147 1501 03	2	Bolt			1613 9463 81		Electronic Condensate	
1195	1614 8926 00	4	Absorber					Drain	
1200	0300 0276 03	4	Washer			1613 9463 80		Others	

8

Air outlet - Pack

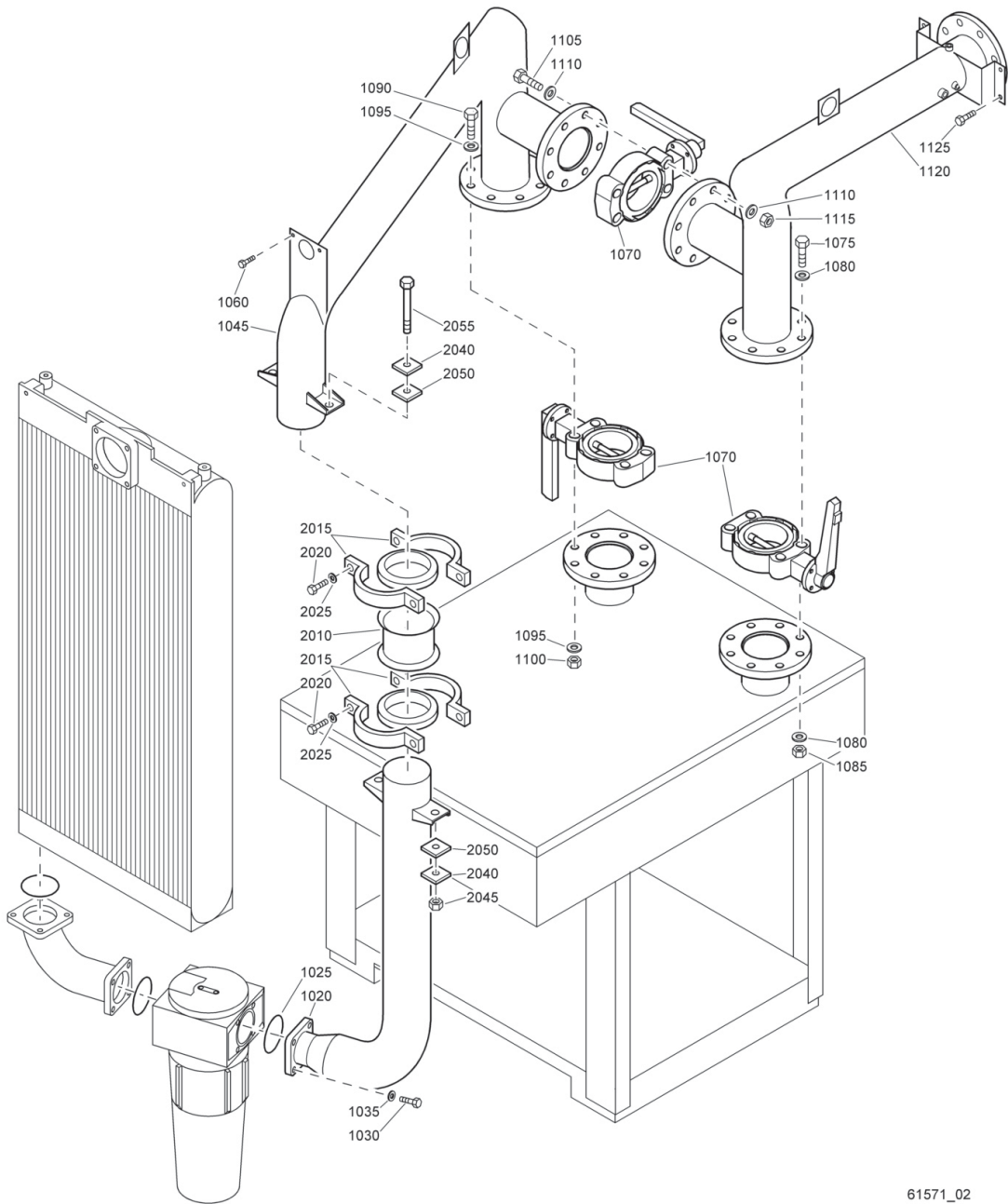


61570_02

61570_02

Ref.	Part number	Qty	Name	Remarks	Ref.	Part number	Qty	Name	Remarks
1020	1614 9717 00	1	Pipe		2010	1614 9512 00	1	Pipe	
1025	0663 2109 69	1	O-ring		2015	1614 9509 00	2	Connection	
1030	0211 1401 03	4	Cap screw			1614 9513 00	1	Seal	
1035	0301 2358 00	4	Washer		2020	0147 1367 03	4	Bolt	
1045		1	Pipe		2025	0301 2344 00	4	Washer	
	1614 9714 00		ISO (DIN)		2040	0306 2000 10	4	Washer	
	1614 9746 00		ANSI (USA, Canada)		2045	0291 1114 00	4	Locknut	
1050	0686 3716 01	1	Plug		2050	1614 8926 00	4	Absorber	
1055	0653 1062 00	1	Flat gasket		2055	0147 1503 03	2	Bolt	
1060	1079 1472 06	6	Bolt						

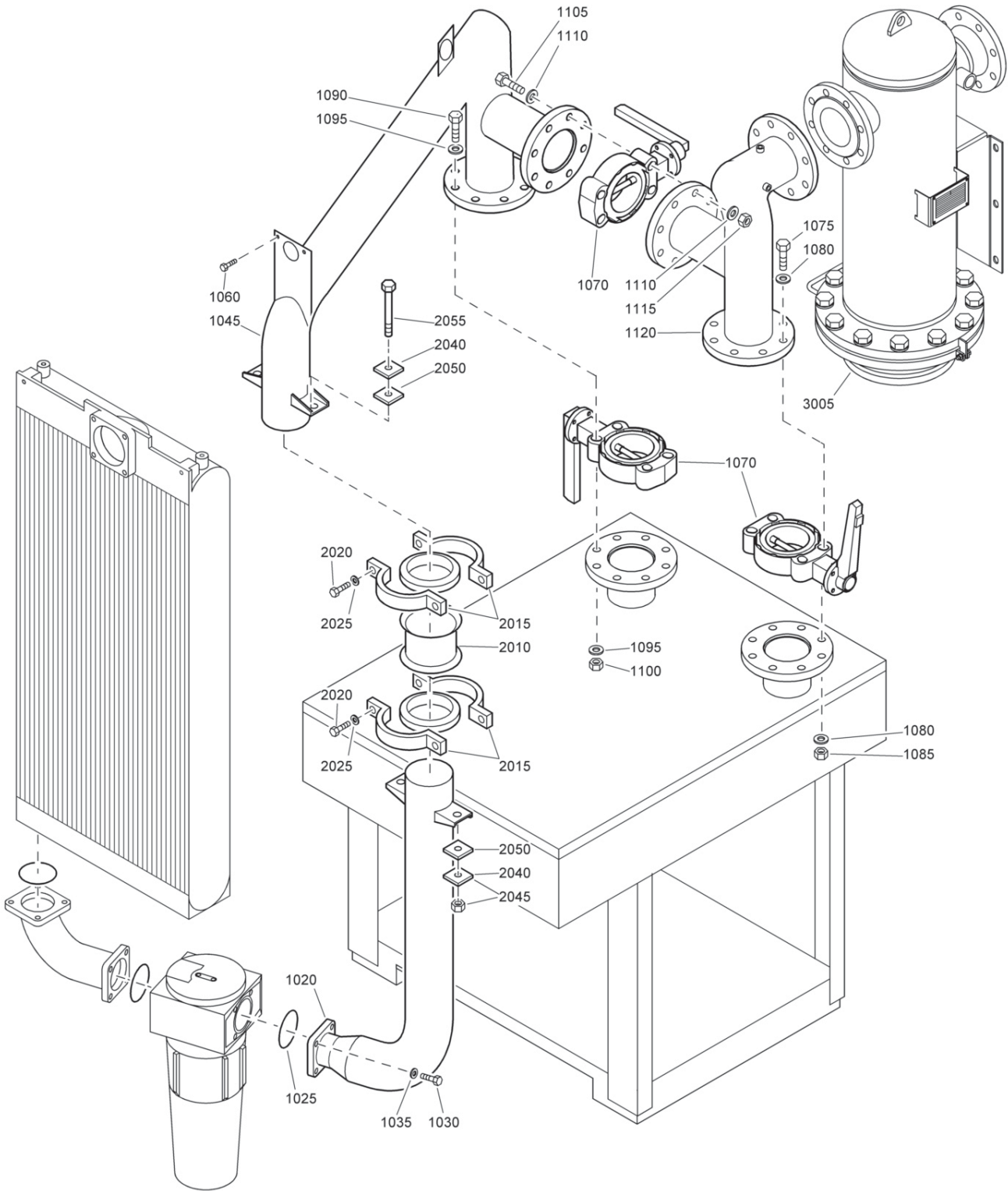
Air outlet - Full-feature



61571_02

Ref.	Part number	Qty	Name	Remarks	Ref.	Part number	Qty	Name	Remarks
1020	1614 9717 00	1	Pipe		1115	0266 2114 00	8	Nut	
1025	0663 2109 69	1	O-ring		1120		1	Pipe	
1030	0211 1401 03	4	Cap screw			1614 9715 00		ISO (DIN)	
1035	0301 2358 00	4	Washer			1614 9733 00		ANSI (USA, Canada)	
1045	1614 9650 00	1	Pipe		1125	1079 1472 06	4	Bolt	
1060	1079 1472 06	2	Bolt		2010	1614 9512 00	1	Pipe	
1070	1614 9709 00	3	Valve		2015	1614 9509 00	2	Connection	
1075	0147 1493 03	8	Bolt			1614 9513 00	1	Seal	
1080	0301 2378 00	16	Washer		2020	0147 1367 03	4	Bolt	
1085	0266 2114 00	8	Nut		2025	0301 2344 00	4	Washer	
1090	0147 1493 03	8	Bolt		2040	0306 2000 10	4	Washer	
1095	0301 2378 00	16	Washer		2045	0291 1114 00	4	Locknut	
1100	0266 2114 00	8	Nut		2050	1614 8926 00	4	Absorber	
1105	0147 1492 03	8	Bolt		2055	0147 1503 03	2	Bolt	
1110	0301 2378 00	16	Washer						

10



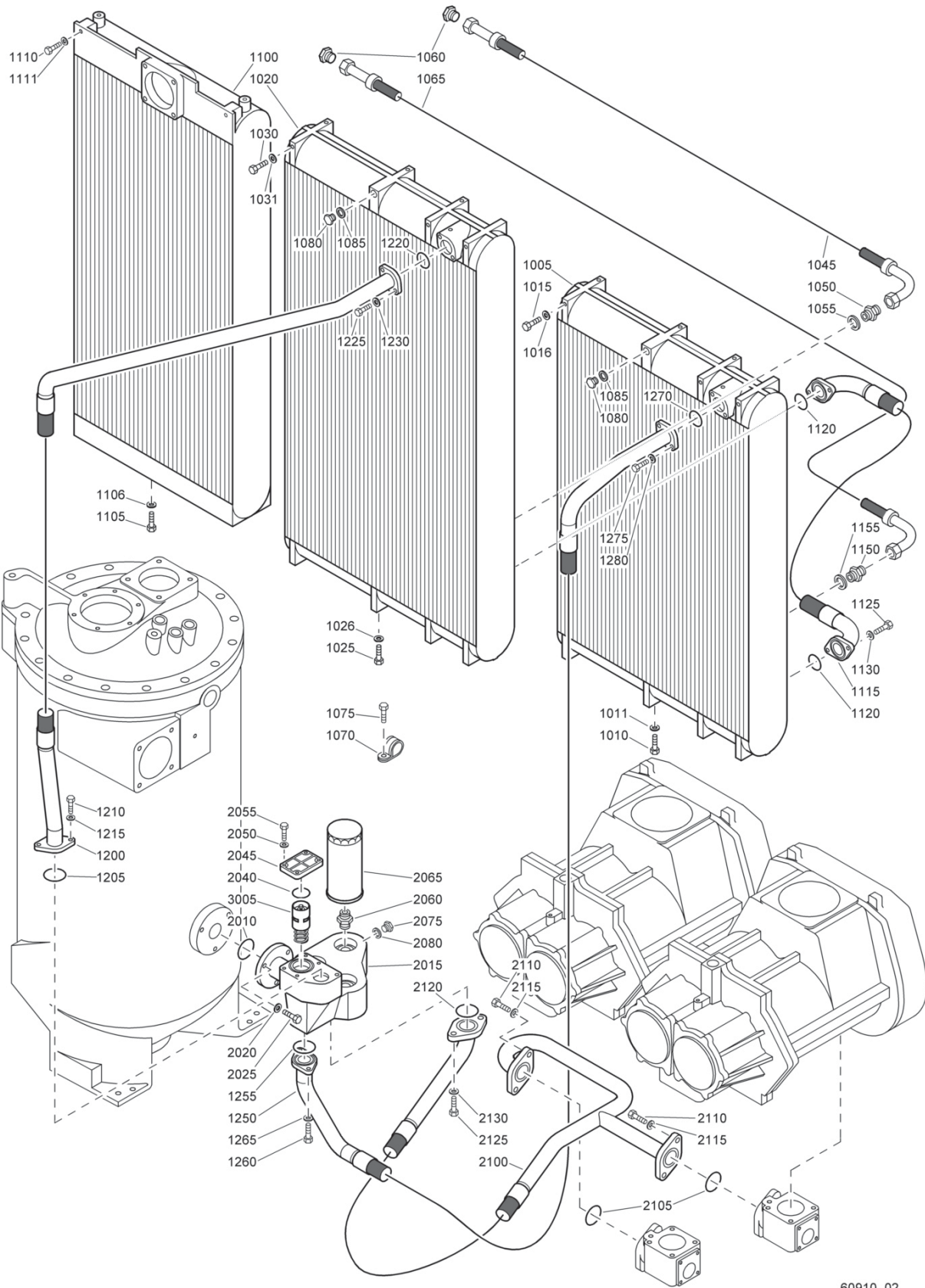
61572_02

Air outlet - Full-feature + DD filter

10

Ref.	Part number	Qty	Name	Remarks	Ref.	Part number	Qty	Name	Remarks
1020	1614 9717 00	1	Pipe		2010	1614 9512 00	1	Pipe	
1025	0663 2109 69	1	O-ring		2015	1614 9509 00	2	Connection	
1030	0211 1401 03	4	Cap screw			1614 9513 00 •	1	Seal	
1035	0301 2358 00	4	Washer		2020	0147 1367 03	4	Bolt	
1045	1614 9650 00	1	Pipe		2025	0301 2344 00	4	Washer	
1060	1079 1472 06	2	Bolt		2040	0306 2000 10	4	Washer	
1070	1614 9709 00	3	Valve		2045	0291 1114 00	4	Locknut	
1075	0147 1493 03	8	Bolt		2050	1614 8926 00	4	Absorber	
1080	0301 2378 00	16	Washer		2055	0147 1503 03	2	Bolt	
1085	0266 2114 00	8	Nut		3005		1	DD filter	
1090	0147 1493 03	8	Bolt			1617 7174 82		As	
1095	0301 2378 00	16	Washer			1617 7174 85		D, SINGAPORE	
1100	0266 2114 00	8	Nut			1617 7174 98		CHINA	
1105	0147 1492 03	8	Bolt			1617 7073 03 •	4	Filter element	
1110	0301 2378 00	16	Washer						
1115	0266 2114 00	8	Nut						
1120		1	Pipe						
	1614 9716 00		(CE)						
	1614 9874 00		(D, As, CHINA, SINGAPORE)						

11

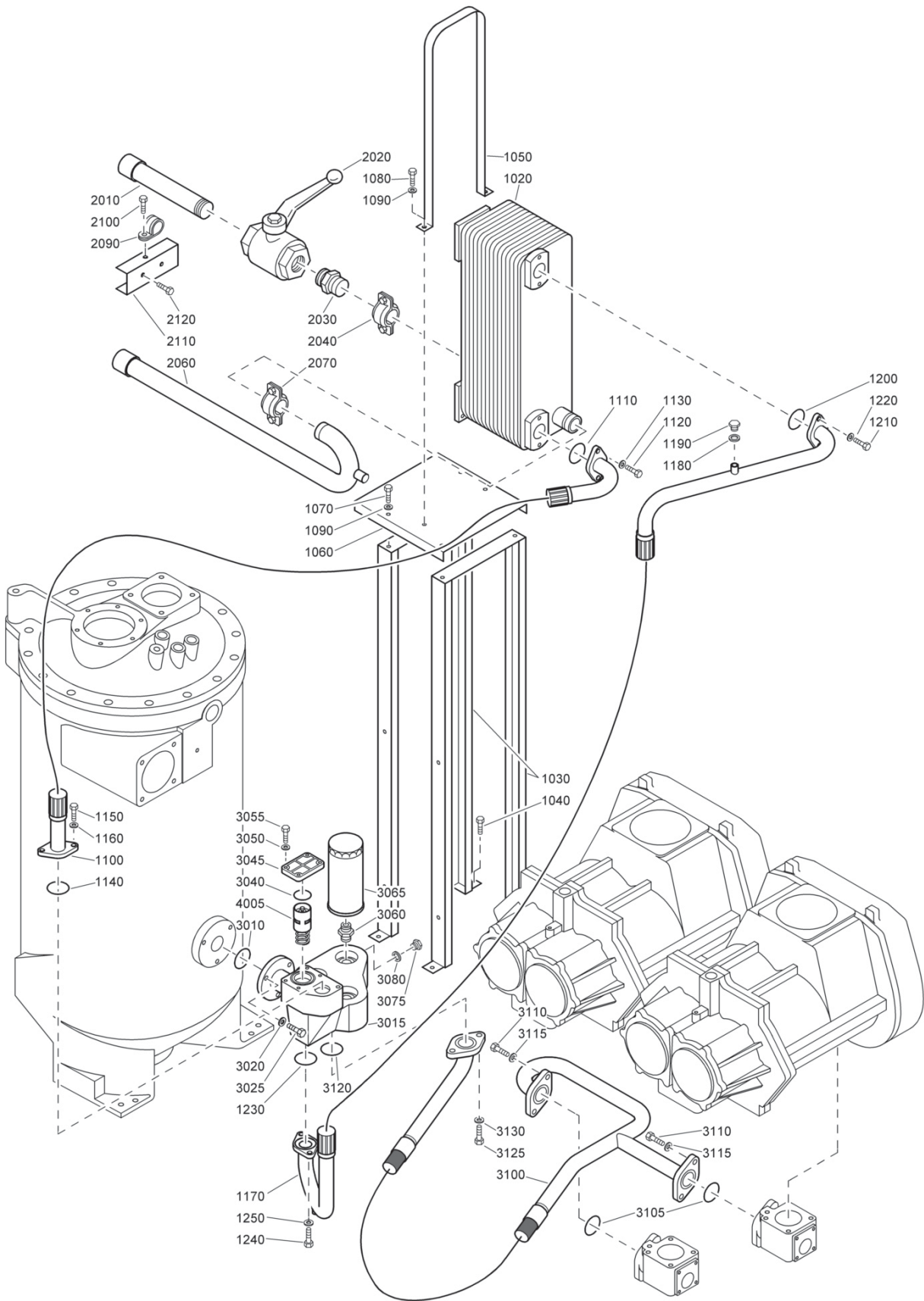


60910_02

Coolers - GA

Ref.	Part number	Qty	Name	Remarks	Ref.	Part number	Qty	Name	Remarks
1005	1614 9588 00	1	Oil cooler		1260	0147 1362 03	2	Bolt	
1010	0147 1360 03	3	Bolt		1265	0301 2344 00	2	Washer	
1011	0301 2344 00	3	Washer		1270	0663 2109 68	1	O-ring	
1015	0147 1360 03	3	Bolt		1275	0147 1362 03	2	Bolt	
1016	0301 2344 00	3	Washer		1280	0301 2344 00	2	Washer	
1020	1614 9589 00	1	Oil cooler		2010	0663 2107 77	1	O-ring	
1025	0147 1360 03	3	Bolt		2015	1614 9006 01	1	Oil filter housing	
1026	0301 2344 00	3	Washer		2020	0301 2344 00	3	Washer	
1030	0147 1360 03	3	Bolt		2025	0147 1363 03	3	Bolt	
1031	0301 2344 00	3	Washer		2040	0663 2107 77	1	O-ring	
1045	0574 8235 42	1	Hose assembly		2045	1614 9007 00	1	Cover	
1050	1079 5840 15	2	Nipple		2050	0301 2335 00	4	Washer	
1055	0661 1000 27	2	Seal washer		2055	0147 1325 03	4	Bolt	
1060	1614 9252 00	2	Plug		2060		3	Nipple	
1065	0574 8235 56	1	Hose assembly			1614 7062 00		7.5bar(e), 8.5bar(e), 10bar(e), 100psig, 125psig, 150psig	
1070	0348 0102 06	2	Clamp					13bar(e), 200psig	
1075	1619 5337 01	2	Bolt					Oil filter	
1080	0686 3716 02	2	Plug		2065	1614 8076 00	3	7.5bar(e), 8.5bar(e), 10bar(e), 100psig, 125psig, 150psig	
1085	0661 1000 27	2	Seal washer			1614 7273 00		13bar(e), 200psig	
1100	1614 9590 00	1	Aftercooler					7.5bar(e), 8.5bar(e), 10bar(e), 100psig, 125psig, 150psig	
1105	0147 1360 03	3	Bolt			1614 8065 00		13bar(e), 200psig	
1106	0301 2344 00	3	Washer		2075	0686 3716 01	1	Plug	
1110	0147 1360 03	2	Bolt		2080	0661 1000 25	1	Seal washer	
1111	0301 2344 00	2	Washer		2100	1614 9634 00	1	Pipe	
1115	1614 9636 00	1	Hose assembly		2105	0663 2106 11	2	O-ring	
1120	0663 2109 68	2	O-ring		2110	0147 1402 03	4	Bolt	
1125	0147 1363 03	4	Bolt		2115	0301 2358 00	4	Washer	
1130	0301 2344 00	4	Washer		2120	0663 2109 68	1	O-ring	
1200	1614 9638 00	1	Hose assembly		2125	0147 1363 03	2	Bolt	
1205	0663 2109 68	1	O-ring		2130	0301 2344 00	2	Washer	
1210	0147 1362 03	2	Bolt		3005		1	Thermostatic valve	
1215	0301 2344 00	2	Washer			1619 7560 00		7.5bar(e), 8.5bar(e), 10bar(e), 100psig, 125psig, 150psig	
1220	0663 2109 68	1	O-ring					13bar(e), 200psig	
1225	0147 1363 03	2	Bolt						
1230	0301 2344 00	2	Washer						
1250	1614 9635 00	1	Hose assembly						
1255	0663 2109 68	1	O-ring			1202 5869 03			

12

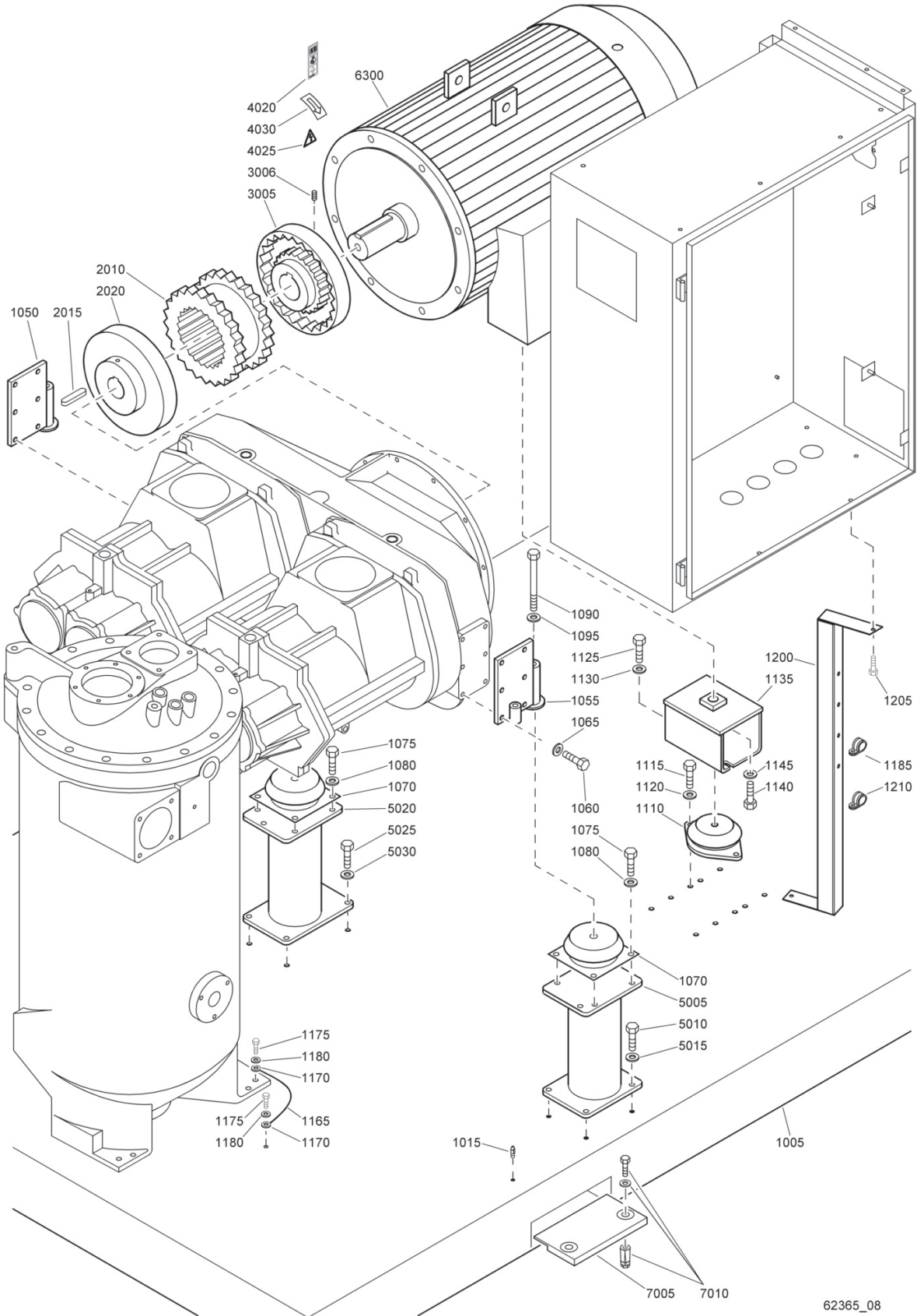


61523_02

Coolers - GA W

Ref.	Part number	Qty	Name	Remarks	Ref.	Part number	Qty	Name	Remarks
1020	1614 9543 00	1	Cooler		2100	1619 5337 01	2	Bolt	
1030	1614 9734 00	2	Support		2110	1614 9560 00	1	Support	
1040	1619 2766 00	4	Bolt		2120	1619 2766 00	2	Bolt	
1050	1614 9567 00	1	Support		3010	0663 2107 77	1	O-ring	
1060	1614 9735 00	1	Plate		3015	1614 9006 01	1	Oil filter housing	
1070	0147 1323 03	4	Bolt		3020	0301 2344 00	3	Washer	
1080	0147 1325 03	2	Bolt		3025	0147 1363 03	3	Bolt	
1090	0301 2335 00	6	Washer		3040	0663 2107 77	1	O-ring	
1100	1614 9552 00	1	Hose assembly		3045	1614 9007 00	1	Cover	
1110	0663 2109 68	1	O-ring		3050	0301 2335 00	4	Washer	
1120	0147 1362 03	2	Bolt		3055	0147 1325 03	4	Bolt	
1130	0301 2344 00	2	Washer		3060		3	Nipple	
1140	0663 2109 68	1	O-ring			1614 7062 00		7.5bar(e), 8.5bar(e), 10bar(e), 100psig, 125psig, 150psig	
1150	0147 1363 03	2	Bolt			1614 8076 00		13bar(e), 200psig	
1160	0301 2344 00	2	Washer		3065		3	Oil filter	
1170	1614 9901 00	1	Hose assembly			1614 7273 00		7.5bar(e), 8.5bar(e), 10bar(e), 100psig, 125psig, 150psig	
1180	0661 1000 25	2	Seal washer			1614 8065 00		13bar(e), 200psig	
1190	0686 3716 01	2	Plug		3075	0686 3716 01	1	Plug	
1200	0663 2109 68	1	O-ring		3080	0661 1000 25	1	Seal washer	
1210	0147 1363 03	2	Bolt		3100	1614 9634 00	1	Pipe	
1220	0301 2344 00	2	Washer		3105	0663 2106 11	2	O-ring	
1230	0663 2109 68	1	O-ring		3110	0147 1402 03	4	Bolt	
1240	0147 1363 03	2	Bolt		3115	0301 2358 00	4	Washer	
1250	0301 2344 00	2	Washer		3120	0663 2109 68	1	O-ring	
2010		1	Pipe		3125	0147 1363 03	2	Bolt	
	1614 9558 00		Without dryer		3130	0301 2344 00	2	Washer	
	1614 9555 00		With dryer		4005		1	Thermostatic valve	
2020	1619 6153 08	1	Ball valve			1619 7560 00		7.5bar(e), 8.5bar(e), 10bar(e), 100psig, 125psig, 150psig	
2030	1614 9274 00	1	Pipe			1202 5869 03		13bar(e), 200psig	
2040	0634 1000 27	1	Pipe coupling						
2060		1	Pipe						
	1614 9773 00		Without dryer						
	1614 9774 00		With dryer						
2070	0634 1000 27	1	Pipe coupling						
2090	0346 1005 19	2	Pipe clamp						

13

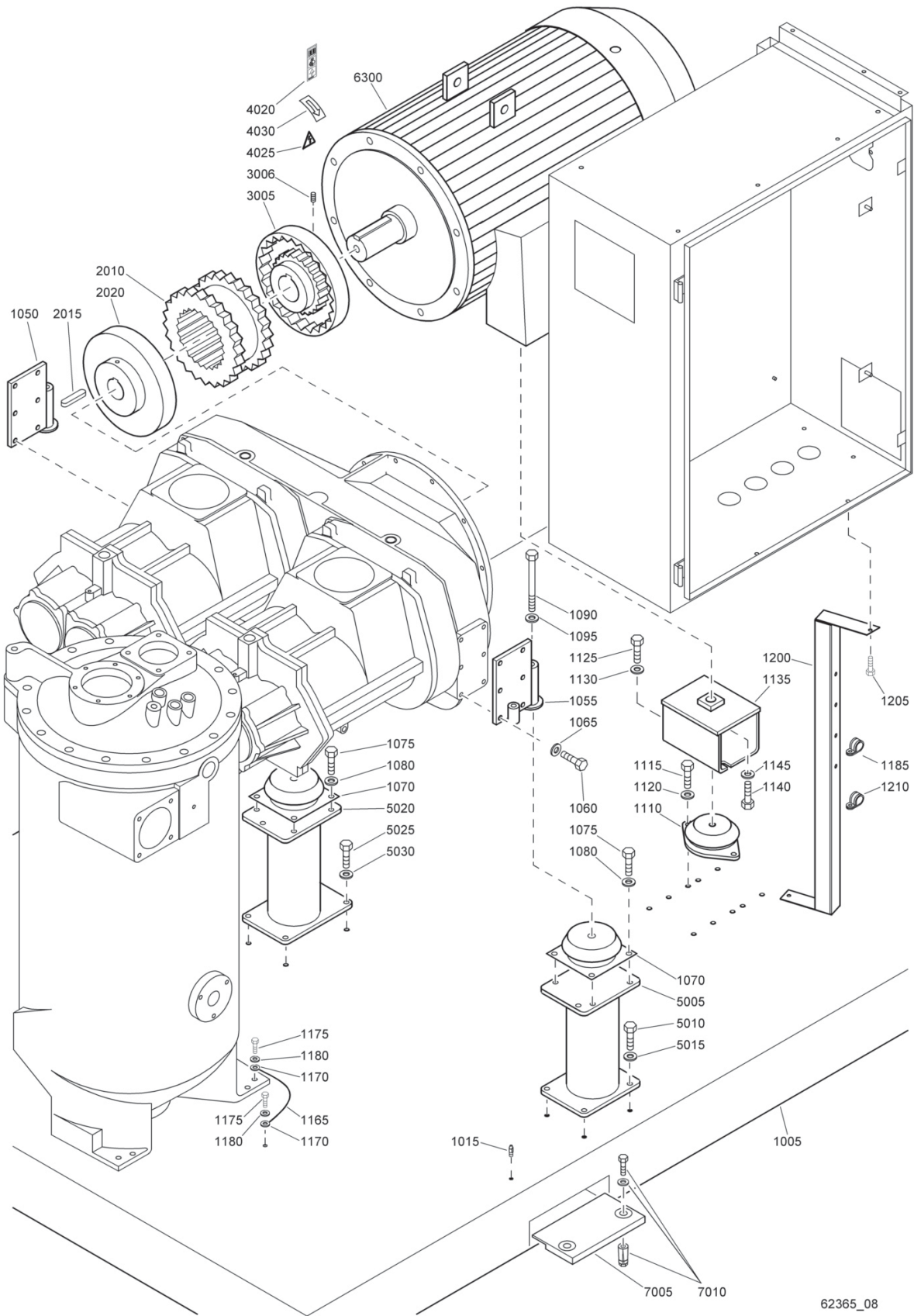


62365_08

Frame and coupling

Ref.	Part number	Qty	Name	Remarks	Ref.	Part number	Qty	Name	Remarks
1005	1614 9526 00	1	Frame			0147 1628 03	1	ABB 3KV/50Hz,	
1015	1614 9851 00	7	Pin					ABB 3.3KV/50Hz,	
1050	1614 9888 00	1	Support					ABB 6KV/50Hz,	
1055	1614 9889 00	1	Support					ABB 3.3KV/60Hz,	
1060	0147 1402 03	12	Bolt					ABB 4.16kV/60Hz,	
1065	0301 2358 00	12	Washer					ABB 6.6kV/60Hz,	
1070		2	Antivibration pad					GA200 WEG	
	1612 5584 00		GA200 WEG			0147 1961 13	1	GA250 WEG ,	
	1614 6366 02		Others					GA315 WEG	
1075	0147 1401 03	8	Bolt		1145		1	Washer	
1080	0301 2358 00	8	Washer			0300 0274 13		ABB 400V/50Hz,	
1090	0147 1568 03	2	Bolt					ABB 500V/50Hz,	
1095	0300 0274 13	2	Washer					ABB 380V/60Hz,	
1110			Antivibration pad					ABB 440-460V/60Hz,	
	1619 5318 02	1	GA200 ABB 400V/50Hz,			0301 2405 00		ABB 575V/60Hz	
			GA200 ABB 500V/50Hz,					ABB 3KV/50Hz,	
			GA200 ABB 380V/60Hz,					ABB 3.3KV/50Hz,	
			GA200 ABB 440-460V/60Hz,					ABB 6KV/50Hz,	
			GA200 ABB 575V/60Hz,					ABB 3.3KV/60Hz,	
			GA200 WEG					ABB 4.16kV/60Hz,	
	1619 5318 01	1	GA250 ABB 400V/50Hz,			0301 2421 00	1	ABB 6.6kV/60Hz,	
			GA250 ABB 500V/50Hz,					GA200 WEG	
			GA250 ABB 380V/60Hz,					GA250 WEG ,	
			GA250 ABB 440-460V/60Hz,					GA315 WEG	
			GA250 ABB 575V/60Hz,	1165	0017 2071 00		AR	Cable	
			GA315 ABB 400V/50Hz,	1170	1088 0010 25		2	Cable lug	
			GA315 ABB 500V/50Hz,	1175	0147 1360 03		2	Bolt	
			GA315 ABB 380V/60Hz,	1180	0333 3232 00		2	Lock washer	
			GA315 ABB 440-460V/60Hz,	1185	1619 2861 04			Clamp	
			GA315 ABB 575V/60Hz,				4	GA250 WEG,	
			GA250 WEG,					GA315 WEG	
			GA315 WEG				2	Others, Except No_Motor	
	1619 5318 02	2	ABB 3KV/50Hz,	1200			1	Support	
			ABB 3.3KV/50Hz,		1614 9875 00			GA250 WEG,	
			ABB 6KV/50Hz,					GA315 WEG	
			ABB 3.3KV/60Hz,	1205			4	Bolt	
			ABB 4.16kV/60Hz,		1079 1472 06			GA250 WEG,	
			ABB 6.6kV/60Hz					GA315 WEG	
1115	0147 1402 03		Bolt		1210		4	Pipe clamp	
		4	ABB 3-3.3-6KV/50Hz,			0346 1005 19		GA250 WEG,	
			ABB 3.3-4.16-6.6KV/60Hz					GA315 WEG	
		2	Others	2010	1614 8739 00		1	Flex.coupling	
1120	0301 2358 00		Washer	2015	0337 0009 12		1	Parallel key	
		4	ABB 3-3.3-6KV/50Hz,	2020	2255 0196 13		1	Coupling half	
			ABB 3.3-4.16-6.6KV/60Hz	3005			1	Coupling half	
		2	Others		2255 0196 04			GA200 ABB 400V/50Hz,	
1125			Bolt					GA200 ABB 500V/50Hz,	
	0147 1553 03	2	No_Motor					GA200 ABB 380V/60Hz,	
	0147 1475 03	2	ABB 3-3.3-6KV/50Hz,					GA200 ABB 440-460V/60Hz,	
			ABB 3.3-4.16-6.6KV/60Hz					GA200 ABB 575V/60Hz,	
	0147 1475 03	1	Others					GA250 ABB 400V/50Hz,	
1130	0301 2378 00		Washer					GA250 ABB 500V/50Hz,	
		2	ABB 3-3.3-6KV/50Hz,					GA250 ABB 380V/60Hz,	
			ABB 3.3-4.16-6.6KV/60Hz					GA250 ABB 440-460V/60Hz,	
		1	Others, Except No_Motor					GA250 ABB 575V/60Hz,	
1135			Support					GA315 ABB 380V/60Hz,	
	1614 9654 00	1	ABB 3-3.3-6KV/50Hz,					GA315 ABB 440-460V/60Hz,	
			ABB 3.3-4.16-6.6KV/60Hz					GA315 ABB 575V/60Hz,	
	1614 9653 00		Others, Except No_Motor					GA200 WEG 380V/60Hz,	
1140			Bolt					GA200 WEG 440-460V/60Hz,	
	0147 1549 03	1	ABB 400V/50Hz,					GA200 WEG 575V/60Hz	
			ABB 500V/50Hz,		2255 0196 15			GA250 WEG 380V/60Hz,	
			ABB 380V/60Hz,					GA250 WEG 440-460V/60Hz,	
			ABB 440-460V/60Hz,					GA250 WEG 575V/60Hz,	
			ABB 575V/60Hz					GA315 WEG 380V/60Hz,	
								GA315 WEG 440-460V/60Hz,	
								GA315 WEG 575V/60Hz	

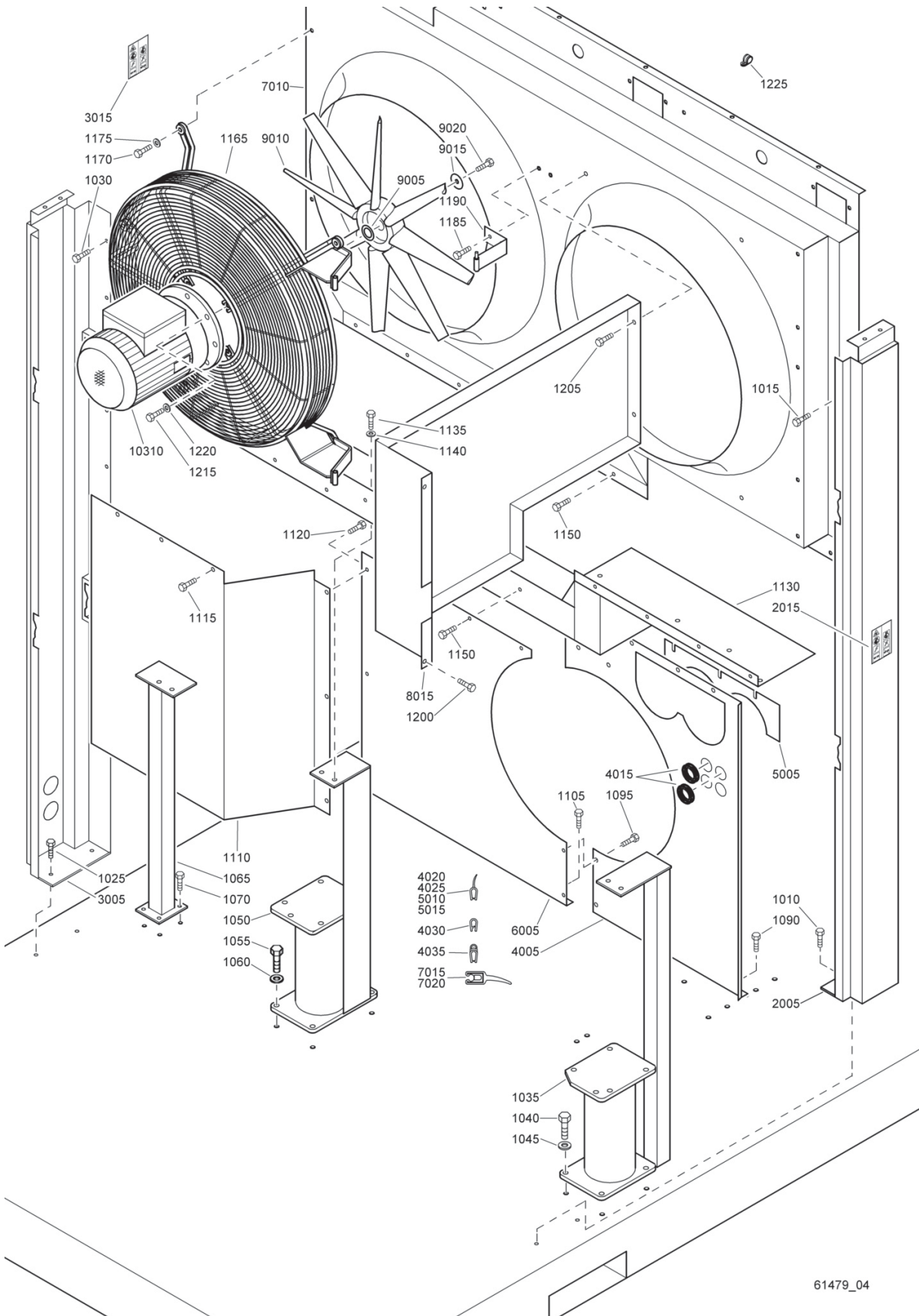
13



Frame and coupling

Ref.	Part number	Qty	Name	Remarks	Ref.	Part number	Qty	Name	Remarks
	2255 0196 10		ABB 3KV/50Hz, ABB 3.3KV/50Hz, ABB 6KV/50Hz, ABB 3.3kV/60Hz, ABB 4.16kV/60Hz, ABB 6.6kV/60Hz		1080 4075 71		GA315	2) 3.3KV/60Hz	
	2255 0196 03		NO_MOTOR		1080 4075 72		GA315	2) 4.16KV/60Hz	
3006	0196 1360 00	1	Screw		1080 4075 73		GA315	2) 6.6KV/60Hz	
	2000 0211 61	1	Labels		1080 4149 09		WEG motor W21 ... /4	2) 440-460V/60Hz	
4020	1079 9901 29	1	Except No_Motor		1080 4149 10		GA200	2) 575V/60Hz	
4025	1088 1001 04	1	Label		1080 4150 09		GA250	2) 440-460V/60Hz	
4030	1503 0786 00	1	Warning mark		1080 4150 10		GA250	2) 575V/60Hz	
5005	1614 9893 00	1	Rotation arrow		1080 4151 09		GA315	2) 440-460V/60Hz	
5010	0147 1402 03	4	Support	1)	1080 4151 10		GA315	2) 575V/60Hz	
5015	0301 2358 00	4	Bolt	1)			Standard option		
5020	0301 2358 00	4	Washer	1)			Anchor pads		
5025	0147 1402 03	4	Support	1)	7005 1621 5003 00	4	Plate		
5030	0301 2358 00	4	Bolt	1)	7010 0226 9929 06	8	Wedge bolt		
6300		1	Washer	1)					
			Motor					1) Watercooled units / Watergekoelde versies / Vattenkylda utföranden / Wassergekühlte Ausführungen / Versions refroidies" par eau / Variantes refrigeradas por agua / Versioni raffreddate ad acqua/ Vandkølede modeller/ Versões arrefecidas a água/ Vannkjølte versjoner/ Vesijäähdytteiset mallit	
			ABB motor M2CA 315.. - 4					2) Basic motor	
	1080 2859 52		GA200	2) 400V/50Hz				3) Full option motor	
	1080 2859 82		GA200	3) 400V/50Hz					
	1080 2859 82		GA200	3) 400V/50Hz					
	1080 2859 84		GA200	3) 500V/50Hz					
	1080 4046 02		GA250	2) 400V/50Hz					
	1080 4046 82		GA250	3) 400V/50Hz					
	1080 4046 82		GA250	3) 400V/50Hz					
	1080 4046 84		GA250	3) 500V/50Hz					
	1080 2859 88		GA200	3) 380V/60Hz					
	1080 2859 59		GA200	2) 440-460V/60Hz					
	1080 2859 89		GA200	3) 440-460V/60Hz					
	1080 2859 89		GA200	3) 440-460V/60Hz					
	1080 4046 98		GA250	3) 380V/60Hz					
	1080 4046 09		GA250	2) 440-460V/60Hz					
	1080 4046 99		GA250	3) 440-460V/60Hz					
	1080 4046 99		GA250	3) 440-460V/60Hz					
	1080 4046 88		GA315	3) 380V/60Hz					
	1080 4046 19		GA315	2) 440-460V/60Hz					
	1080 4046 89		GA315	3) 440-460V/60Hz					
	1080 4046 89		GA315	3) 440-460V/60Hz					
			ABB motor HXR 355 L - 4						
	1080 4075 01		GA200	2) 3KV/50Hz					
	1080 4075 02		GA200	2) 3.3KV/50Hz					
	1080 4075 05		GA200	2) 6KV/50Hz					
	1080 4075 11		GA250	2) 3KV/50Hz					
	1080 4075 12		GA250	2) 3.3KV/50Hz					
	1080 4075 15		GA250	2) 6KV/50Hz					
	1080 4075 51		GA200	2) 3.3KV/60Hz					
	1080 4075 52		GA200	2) 4.16KV/60Hz					
	1080 4075 53		GA200	2) 6.6KV/60Hz					
	1080 4075 61		GA250	2) 3.3KV/60Hz					
	1080 4075 62		GA250	2) 4.16KV/60Hz					
	1080 4075 63		GA250	2) 6.6KV/60Hz					

14



Fan and cooling duct plates - GA

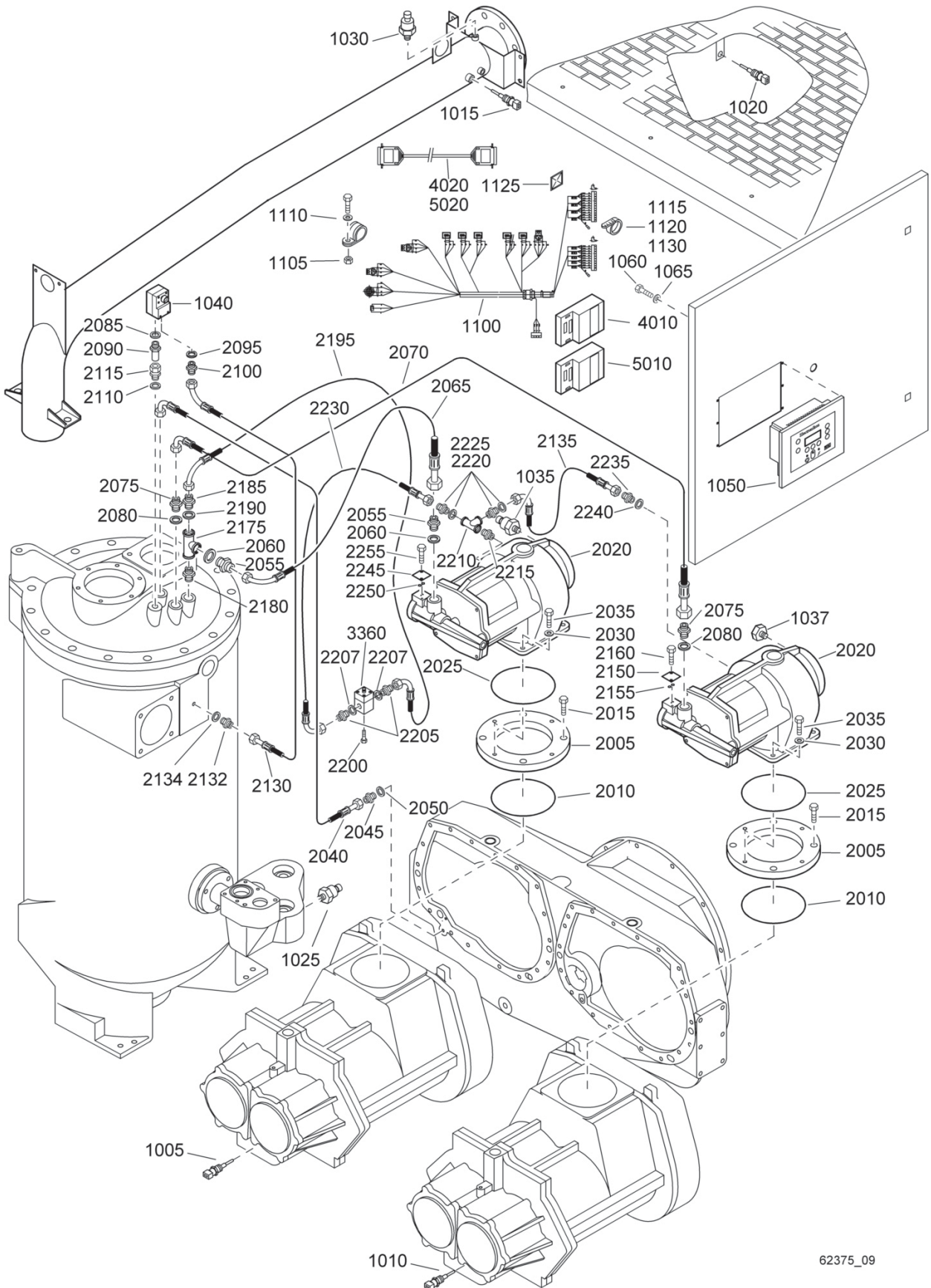
Ref.	Part number	Qty	Name	Remarks	Ref.	Part number	Qty	Name	Remarks
1010	1619 5337 01	4	Bolt		4005		• 1	Baffle	
1015	1619 2766 00	6	Bolt		4015	1088 0803 26	• 3	Grommet	
1025	1619 5337 01	4	Bolt		4020	1619 2795 00	• AR	Rubber strip	
1030	1619 2766 00	6	Bolt		4025	1619 2795 00	• AR	Rubber strip	
1035	1621 9092 00	1	Support		4030	1503 1056 00	• AR	Seal	
1040	0147 1402 03	4	Bolt		4035	1619 6449 00	• AR	Seal	
1045	0301 2358 00	4	Washer			1614 9790 80	1	Plate	
1050	1621 9091 00	1	Support		5005		• 1	Plate	
1055	0147 1402 03	4	Bolt		5010	1619 2795 00	• AR	Rubber strip	
1060	0301 2358 00	4	Washer		5015	1619 2795 00	• AR	Rubber strip	
1065	1621 9093 00	1	Support			1614 9603 80	1	Baffle	
1070	1619 5337 01	4	Bolt		6005		• 1	Baffle	
1090	1619 2766 00	7	Bolt			1621 9040 80	1	Fan cowl	
1095	1079 1472 06	2	Bolt		7010		• 1	Fan cowl	
1105	1619 2766 00	7	Bolt		7015	1619 2473 00	• AR	Seal	
1110	1614 9604 00	1	Baffle		7020	1619 2473 00	• AR	Seal	
1115	1619 2766 00	7	Bolt			1614 9601 80	1	Baffle	1)
1120	1079 1472 06	3	Bolt		8015		• 1	Baffle	
1130	1621 9090 00	1	Support		9005	1614 6453 00	4	Washer	
1135	0147 1362 03	6	Bolt		9010		2	Fan	
1140	0301 2344 00	6	Washer			1614 9285 00		50Hz	
1150	1619 2766 00	12	Bolt			1614 9287 00		60Hz	
1165	1614 9882 00	2	Fan guard		9015	1614 6456 00	2	Washer	
1170	0147 1363 03	10	Bolt		9020	0147 1363 03	2	Bolt	
1175	0333 3232 00	10	Lock washer		10310		2	Fan motor	
1185	1619 5337 01	8	Bolt			1080 4034 17		380V/60Hz	Y
1190	1614 9762 00	4	Hinge			1080 4034 17		220V/60Hz	D
1200	1619 2766 00	2	Bolt			1080 4034 12		380-415V/50Hz	Y + D
1205	1079 1472 06	2	Bolt			1080 4034 12		440-460V/60Hz	Y
1215	0147 1401 03	8	Bolt			1080 4034 14		500V/50Hz	D
1220	0301 2358 00	8	Washer			1080 4034 14		575V/60Hz	D
1225	0346 1000 15	3	Pipe clamp						
	1614 9594 80	1	Stay ass'y	1)					
2005		• 1	Stay		1)	Lined with / Bekleed met / Beklädd med / Ausgekleidet mit / Garnir de / Rivestido de / Allineato con / Foret med / Revestido com / Kledd med / Vuorattu :			
2015	1079 9901 09	• 1	Label			Foam : 0395 6001 69 (AR) 50 x 2040 x 1650			
	1614 9747 80	1	Stay ass'y	1)					
3005		• 1	Stay						
3015	1079 9901 09	• 1	Label						
	1614 9602 80	1	Baffle ass'y						

Regulating system - 1)

Ref.	Part number	Qty	Name	Remarks	Ref.	Part number	Qty	Name	Remarks
1005	1089 0574 40	1	Temp. sensor		2150	1614 9728 00	1	Flange	
1010	1089 0574 40	1	Temp. sensor		2155	0663 2106 09	2	O-ring	
1015	1089 0574 40	1	Temp. sensor		2160	0147 1171 03	2	Bolt	
1020	1089 0574 40	1	Temp. sensor		2175	0564 0000 18	1	Tee	
1025	1089 0575 28	1	Press.transducer		2180	0603 4105 03	1	Hexagon nipple	
1030	1089 0575 28	1	Press.transducer		2185	1079 5840 19	1	Nipple	
1035	1089 0575 73	1	Press.transducer		2190	0661 1000 27	1	Seal washer	
1037	0686 3115 58	1	Plug		2195	0574 8841 53	1	Hose assembly	
1040	1089 0575 20	1	Dp transducer		2200	0147 1171 03	4	Bolt	
1050	1900 0701 25	1	Regulator		2205	1079 5840 01	2	Nipple	
1055	1503 2467 00	AR	Seal cord		2207	0661 1000 24	2	Seal washer	
1060	0160 6059 00	4	Screw		2210	0564 0000 78	1	Tee	
1065	0301 2318 00	4	Washer		2215	0603 4102 03	1	Hexagon nipple	
1100	1614 9639 00	1	Wire harness		2220	1619 5205 00	2	Nipple	
1105	0266 2110 00	1	Nut		2225	0661 1000 25	2	Seal washer	
1110	0301 2335 00	1	Washer		2230	0574 8236 35	1	Hose assembly	
1115	1088 1301 01	5	Cable strip	L = 92	2235	1619 5205 00	1	Nipple	
1120	1088 1301 02	1	Cable strip	L = 104	2240	0661 1000 25	1	Seal washer	
1125	0348 0111 06	10	Hose clip		2245	1614 9728 00	1	Flange	
1130	1088 1301 03	10	Cable strip	L = 186	2250	0663 2106 09	2	O-ring	
2005	1614 9237 00	2	Spacer	2)	2255	0147 1171 03	2	Bolt	
2010	0663 2109 71	2	O-ring	2)	3360		1	Solenoid valve	
2015	0211 1362 03	8	Cap screw	2)		1089 0621 10		50Hz	
2020	<<<< >>>>	2	Unloader assembly			1089 0621 11		60Hz	CSA/UL
2025	0663 2109 71	2	O-ring		4010	1900 0701 45	1	Sioe module	
2030	0301 2344 00	8	Washer		5010	1900 0701 82	1	Com2 module	
2035	0147 1364 03	8	Bolt		6020	1900 0701 91	1	Profibus	
2040	0575 0121 47	1	Hose assembly						
2045	1619 5205 00	1	Nipple						
2050	0661 1000 25	1	Seal washer						
2055	1079 5840 29	2	Hexagon nipple						
2060	0661 1000 29	2	Seal washer						
2065	0574 8235 30	1	Hose assembly						
2070	0574 8235 41	1	Hose assembly						
2075	1079 5840 29	2	Hexagon nipple						
2080	0661 1000 29	2	Seal washer						
2085	0661 1000 24	1	Seal washer						
2090	1615 3624 00	1	Nozzle						
2095	0661 1000 24	1	Seal washer						
2100	1079 5840 01	1	Nipple						
2110	0661 1000 25	1	Seal washer						
2115	0580 0013 32	1	Coupling						
2130	0575 0361 18	1	Hose assembly						
2132	1079 5840 01	1	Nipple						
2134	0661 1000 24	1	Seal washer						
2135	0574 8231 31	1	Hose assembly						

- 1) Up to serial No. :
 Tot serienummer:
 T.o.m. tillverkningsnummer:
 Bis Seriennummer:
 Jusqu'au numéro de série:
 Hasta el número de serie:
 Fino al numeri di serie:
 Gælder til følgende serienumre:
 Até o número de série:
 Til følgende serienummer:
 Seuraavaan valmistusnumeroon asti, No.:
 AIF-078 301
- 2) Aircooled version / Luchtgekoelde versie / Luftkylda utföranden / Luftgekühlte Ausführungen / Version refroidie par air / Variante refrigerada por aire / Versioni raffreddate ad aria / Luftkølede modeller / Versões arrefecidas a ar / Luftkjølte versjoner / Illmajäähdytteiset mallit

16



62375_09

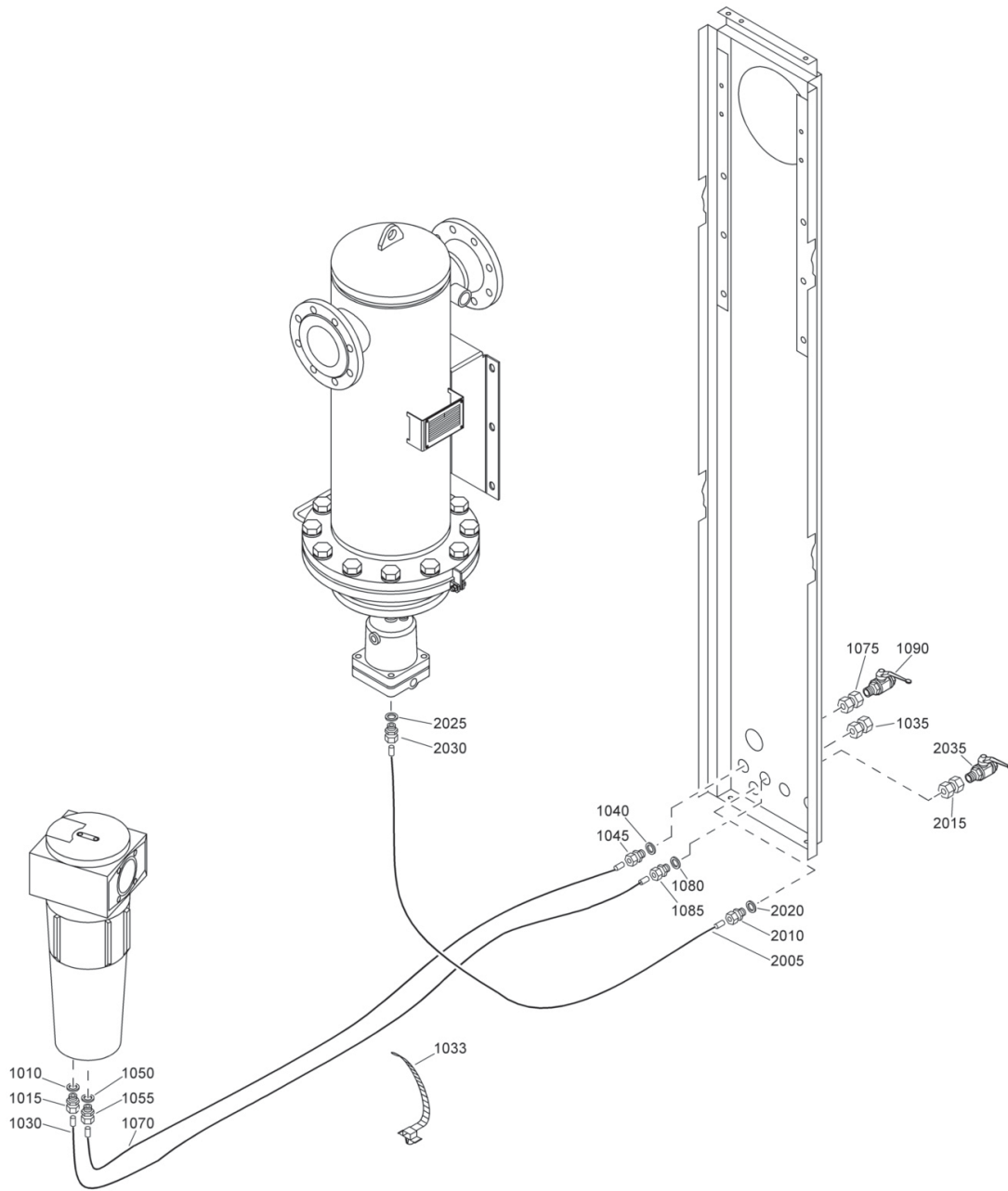
Regulating system - 2)

Ref.	Part number	Qty	Name	Remarks	Ref.	Part number	Qty	Name	Remarks
1005	1089 0574 40	1	Temp. sensor		2160	0147 1171 03	2	Bolt	
1010	1089 0574 40	1	Temp. sensor		2175	0564 0000 18	1	Tee	
1015	1089 0574 40	1	Temp. sensor		2180	0603 4105 03	1	Hexagon nipple	
1020	1089 0574 40	1	Temp. sensor		2185	1079 5840 19	1	Nipple	
1025	1089 0575 28	1	Press.transducer		2190	0661 1000 27	1	Seal washer	
1030	1089 0575 28	1	Press.transducer		2195	0574 8841 53	1	Hose assembly	
1035	1089 0575 73	1	Press.transducer		2200	0147 1171 03	4	Bolt	
1037	0686 3115 58	1	Plug		2205	1079 5840 01	2	Nipple	
1040	1089 0575 20	1	Dp transducer		2207	0661 1000 24	2	Seal washer	
1050	1900 0710 31	1	Regulator		2210	0564 0000 78	1	Tee	
1060	0160 6038 00	4	Screw		2215	0603 4102 03	1	Hexagon nipple	
1065	0301 2315 00	4	Washer		2220	1619 5205 00	2	Nipple	
1100	1621 0921 00	1	Wire harness		2225	0661 1000 25	2	Seal washer	
1105	0266 2110 00	1	Nut		2230	0574 8236 35	1	Hose assembly	
1110	0301 2335 00	1	Washer		2235	1619 5205 00	1	Nipple	
1115	1088 1301 01	5	Cable strip	L = 92	2240	0661 1000 25	1	Seal washer	
1120	1088 1301 02	1	Cable strip	L = 104	2245	1614 9728 00	1	Flange	
1125	0348 0111 06	11	Hose clip		2250	0663 2106 09	2	O-ring	
1130	1088 1301 03	11	Cable strip	L = 186	2255	0147 1171 03	2	Bolt	
2005	1614 9237 00	2	Spacer	1)	3360		1	Solenoid valve	
2010	0663 2109 71	2	O-ring	1)		1089 0621 04		50Hz	
2015	0211 1362 03	8	Cap screw	1)		1089 0621 05		60Hz	
2020	<<<< >>>>	2	Unloader assembly		4010	1900 0710 41	1	Regulator module	SIOE-
2025	0663 2109 71	2	O-ring						
2030	0301 2344 00	8	Washer		4020	1622 0661 03	1	Cable	
2035	0147 1364 03	8	Bolt		5010	1900 0710 71	1	Regulator module	DIOE-
2040	0575 0121 47	1	Hose assembly						
2045	1619 5205 00	1	Nipple		5020	1622 0661 03	1	Cable	
2050	0661 1000 25	1	Seal washer						
2055	1079 5840 29	2	Hexagon nipple						
2060	0661 1000 29	2	Seal washer						
2065	0574 8235 30	1	Hose assembly						
2070	0574 8235 41	1	Hose assembly						
2075	1079 5840 29	2	Hexagon nipple						
2080	0661 1000 29	2	Seal washer						
2085	0661 1000 24	1	Seal washer						
2090	1615 3624 00	1	Nozzle						
2095	0661 1000 24	1	Seal washer						
2100	1079 5840 01	1	Nipple						
2110	0661 1000 25	1	Seal washer						
2115	0580 0400 03	1	Str.coupling						
2130	0575 0361 18	1	Hose assembly						
2132	1079 5840 01	1	Nipple						
2134	0661 1000 24	1	Seal washer						
2135	0574 8231 31	1	Hose assembly						
2150	1614 9728 00	1	Flange						
2155	0663 2106 09	2	O-ring						

- 1) Aircooled version / Luchtgekoelde versie / Luftkylda utföranden / Luftgekühlte Ausführungen / Version refroidie par air / Variante refrigerada por aire / Versioni raffreddate ad aria / Luftkølede modeller / Versões arrefecidas a ar / Luftkjølte versjoner / Ilmajäähdytteiset mallit
- 2) From following serial No. onwards:
Geldig vanaf volgend serienummer:
Fr.o.m. tillverkningsnummer:
Gültig ab Seriennummer:
Valable à partir du numéro de série suivant:
A partir del siguiente número de serie:
Dai seguenti numeri di serie in avanti:
Gælder fra følgende serienumre:
A partir do número de série:
Fra og med følgende serienummer:
Alkaen valmistusnumerosta
AIF-078 302

17

Drain system - Basic-and DD-filter drain

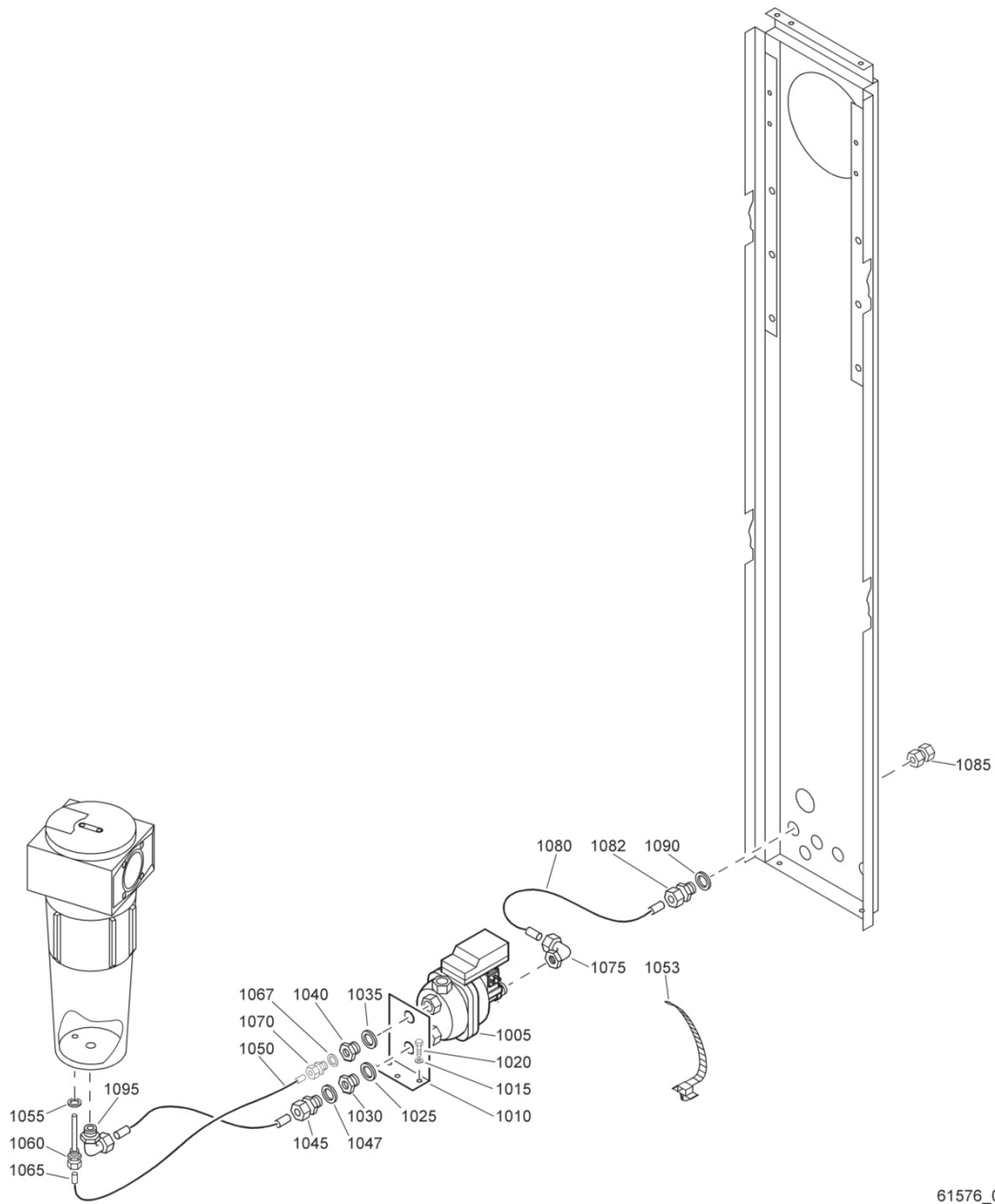


61578_06

61578_06

Ref.	Part number	Qty	Name	Remarks	Ref.	Part number	Qty	Name	Remarks
1010	0661 1000 25	1	Seal washer		1080	0653 1124 00	1	Flat gasket	
1015	0581 0000 45	1	Pipe coupling		1085	0581 0000 53	1	Pipe coupling	
1030	0070 6002 06	AR	Plastic tube		1090	0852 0010 33	1	Ball valve	
1033	0348 0102 06	3	Cable tie		2005	0070 6002 05	AR	Plastic tube	
1035	0581 0000 86	1	Pipe coupling		2010	0581 0000 73	1	Str. coupl.	
1040	0653 1124 00	1	Flat gasket		2015	0581 0000 86	1	Pipe coupling	
1045	0581 0000 53	1	Pipe coupling		2020	0661 1000 27	1	Seal washer	
1050	0653 1062 00	1	Flat gasket		2025	0581 0000 73	1	Str. coupl.	
1055	0581 0000 45	1	Pipe coupling		2030	0661 1000 27	1	Seal washer	
1070	0070 6002 06	AR	Plastic tube		2035	0852 0010 33	1	Ball valve	
1075	0581 0000 86	1	Pipe coupling						

Drain system - Electronic drain system

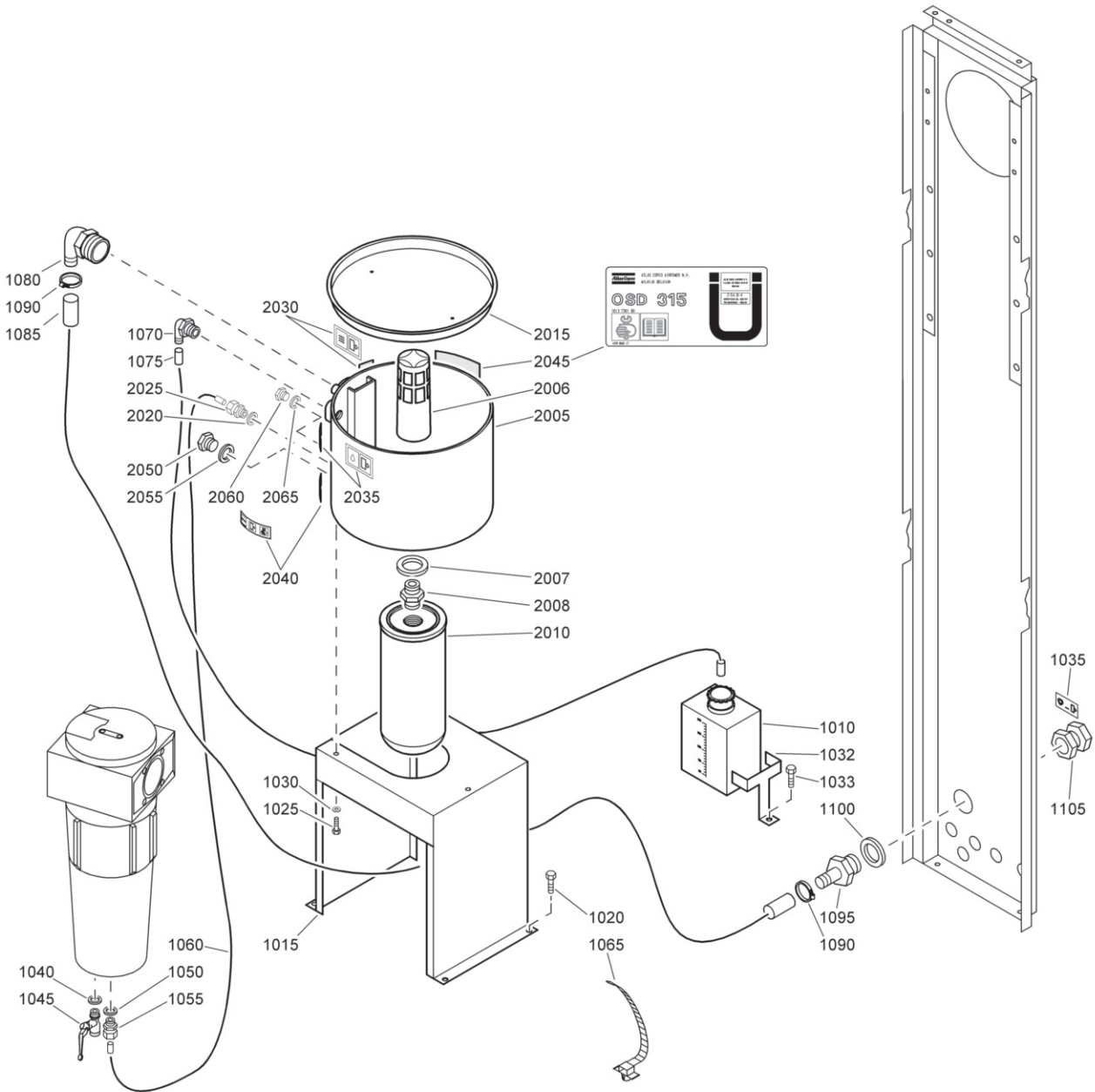


61576_06

61576_06

Ref.	Part number	Qty	Name	Remarks	Ref.	Part number	Qty	Name	Remarks
1005	8102 0425 80	1	Drain valve		1055	0661 1000 25	1	Seal washer	
1010	1617 1768 00	1	Support		1060	1613 8084 00	1	Pipe coupling	
1015	0301 2335 00	3	Washer		1065	0070 6002 05	AR	Plastic tube	
1020	0147 1323 03	3	Bolt		1067	0661 1000 25	1	Seal washer	
1025	0661 1000 29	1	Seal washer		1070	0581 0000 35	1	Pipe coupling	
1030	0605 8700 84	1	Bushing		1075	0581 1200 47	1	Pipe coupling	
1035	0661 1000 29	1	Seal washer		1080	0070 6002 13	AR	Plastic tube	
1040	0605 8820 05	1	Bushing		1082	0581 0000 71	1	Pipe coupling	
1045	0581 0000 71	1	Pipe coupling		1085	0581 0000 86	1	Pipe coupling	
1047	0661 1000 27	1	Seal washer		1090	0661 1000 27	1	Seal washer	
1050	0070 6002 13	AR	Plastic tube		1095	0581 1200 38	1	Pipe coupling	
1053	0348 0102 06	3	Cable tie						

19

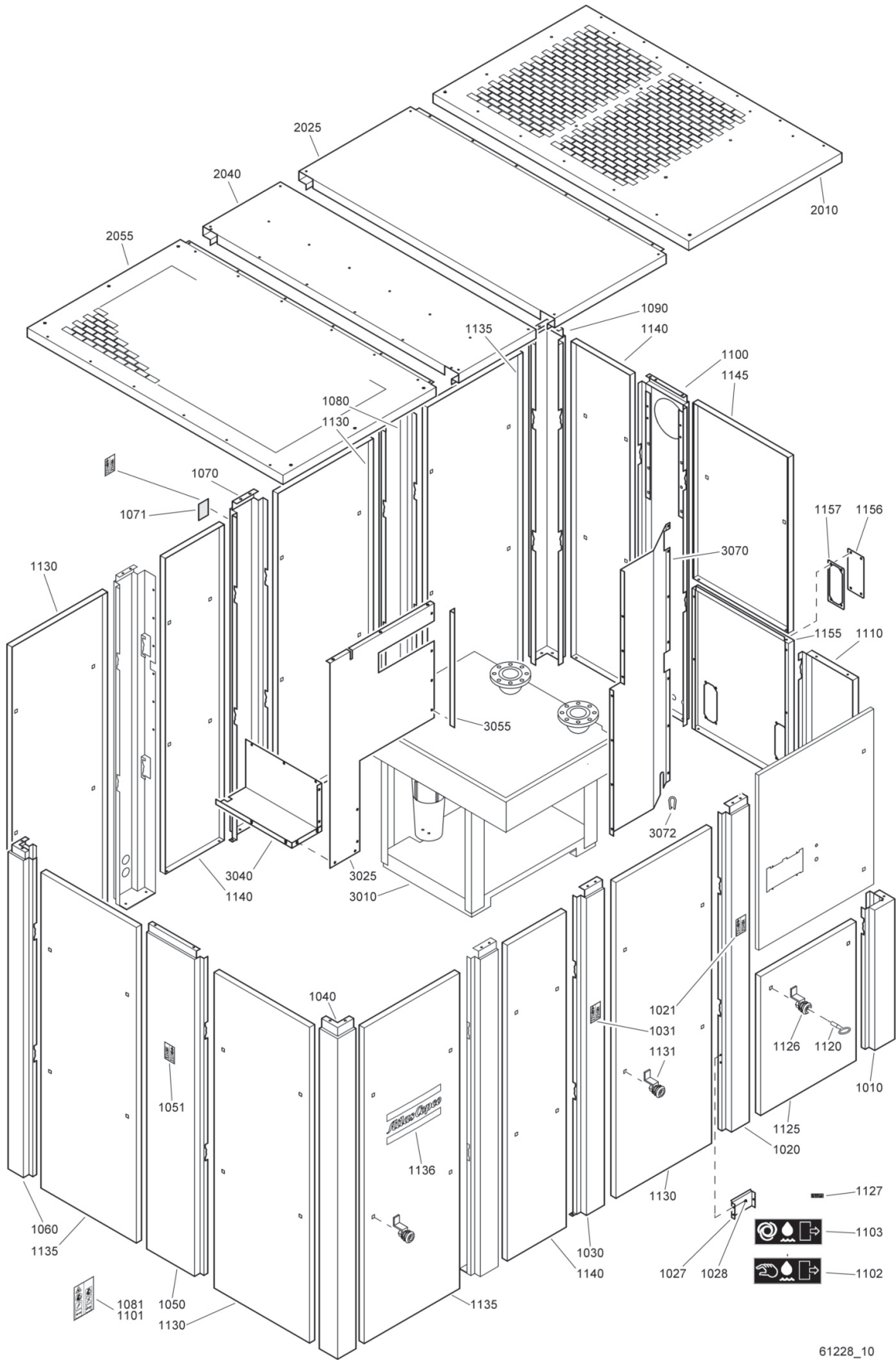


61577_06

Drain system - Oil Separator Condensate drain

Ref.	Part number	Qty	Name	Remarks	Ref.	Part number	Qty	Name	Remarks
1010	1613 9735 00	1	Oil can		1095	1614 9876 00	1	Hose nipple	
1015	1621 9084 00	1	Support		1100	0661 1000 31	1	Seal washer	
1020	1619 2766 00	4	Bolt		1105	1614 9881 00	1	Bushing	
1025	0147 1322 03	3	Bolt		2005	1614 9351 00	1	Housing	
1030	0301 2335 00	3	Washer		2006	1613 7299 00	1	Strainer	
1032	1622 0091 00	1	Support		2007	9125 6295 00	1	Seal washer	
1033	1619 2766 00	1	Bolt		2008	1613 7297 00	1	Check valve	
1035	1079 9910 97	1	Label		2010	1614 9352 00	1	Oil filter	
1040	0661 1000 25	1	Seal washer		2015	1614 9707 00	1	Cover	
1045	0852 0010 29	1	Ball valve		2020	0661 1000 25	1	Seal washer	
1050	0661 1000 25	1	Seal washer		2025	1614 9363 00	1	Pipe coupling	
1055	0581 0000 35	1	Pipe coupling		2030	1079 9913 69	1	Inform.label	
1060	0070 6002 03	AR	Flexible		2035	1079 9912 28	1	Information label	
1065	0348 0102 06	3	Cable tie		2040	1079 9912 07	1	Information label	
1070	1613 7335 00	1	Hose nipple		2045	1079 9920 17	1	Information label	
1075	0070 6002 14	AR	Flexible		2050	0686 3716 45	1	Hexagon plug	
1080	1614 9706 00	1	Hose nipple		2055	0661 1000 27	1	Seal washer	
1085	0070 6002 28	AR	Plastic tube		2060	0686 3716 44	1	Hexagon plug	
1090	0347 6110 00	2	Hose clip		2065	0661 1000 25	1	Seal washer	

20



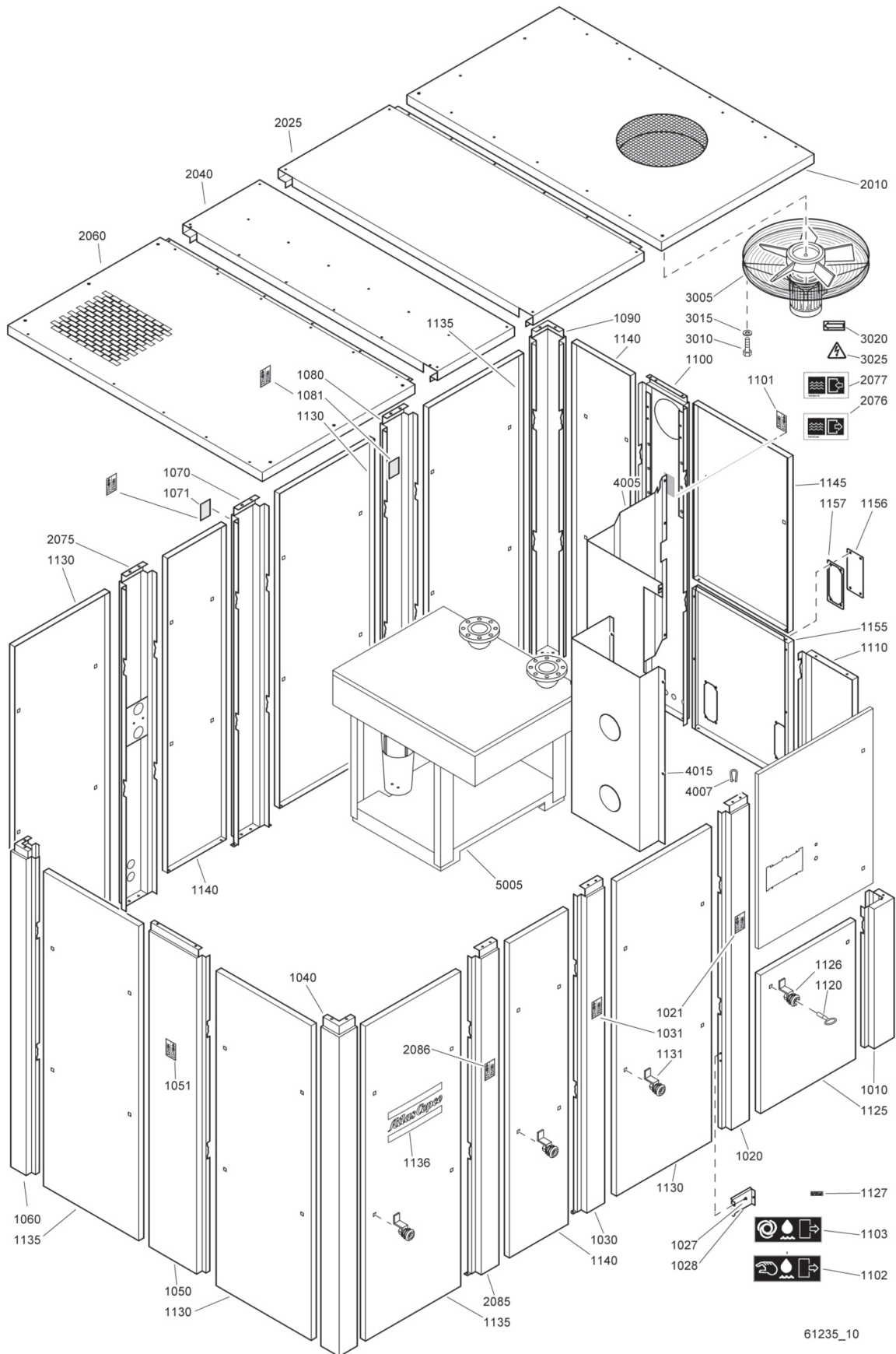
61228_10

Bodywork - GA

Ref.	Part number	Qty	Name	Remarks	Ref.	Part number	Qty	Name	Remarks
1010	1614 9505 00	1	Stay	1)	1145	1614 9703 00	1	Panel	1)2)
1020	1614 9898 00	1	Stay	1)	1155	1614 9401 00	1	Baffle	1)2)
1021	1079 9901 09	1	Label		1156	1088 0412 06	2	Flange	
1027	1614 9908 00	1	Plate		1157	1088 0497 06	2	Gasket	
1028	1079 2904 01	3	Push nail		2010	1614 9894 00	1	Roof	
1030	1614 9886 00	1	Stay	1)	2025	1614 9573 00	1	Roof	1)
1031	1079 9901 09	1	Label		2040	1621 9042 00	1	Roof	1)
1040	1614 9502 00	1	Stay	1)	2055	1614 9575 00	1	Roof	1)
1050	1614 9501 00	1	Stay	1)	3010	<<<< >>>>	1	Air dryer	
1051	1079 9901 09	1	Label		3025	1614 9899 00	1	Baffle	
1060	1614 9502 00	1	Stay	1)	3040	1614 9900 00	1	Baffle	
1070	1614 9886 00	1	Stay	1)	3055	1614 9880 00	1	Stiffener	
1071	1079 9901 09	1	Label		3070	1614 9923 00	1	Baffle	
1080	1614 9886 00	1	Stay	1)	3072	1503 1056 00	AR	Seal	
1081	1079 9901 09	1	Label				AR	Bolt	
1090	1614 9502 00	1	Stay	1)				M8 x 16	
1100	1614 9919 00	1	Stay	1)	0147	1322 03		M8 x 20	
1101	1079 9901 09	1	Label		1619	2766 00		M8 x 25	
1102	1079 9910 95	1	Label		0147	1325 03		M8 x 30	
1103	1079 9910 96	1	Label		1079	1472 06		M8 x 30	
1110	1614 9599 00	1	Stay	1)	1619	5337 01		M12 x 50	
1120	1089 9068 01	1	Key		0147	1405 03		Washer	
1125	1614 9615 00	1	Panel	1)			AR	Ø8.4 x 16 x 1.6	
1126	2252 7237 00	2	Doorlock		0301	2335 00		Ø13 x 24 x 2.5	
1127	1619 5188 00	AR	Seal		0301	2358 00			
1130	1614 9592 00	4	Door	1)					
1131	2252 7237 00	4	Doorlock						
1135			Door						
	1614 9592 00	4		1)3)					
	1614 9592 00	3		1)2)					
1136	0690 1140 01	1	House mark						
1140	1614 9593 00	3	Door	1)					

1) Lined with / Bekleed met / Beklädd med / Ausgekleidet mit / Garnir de / Rivestido de / Allineato con / Foret med / Revestido com / Kledd med / Vuorattu :
Foam: 0395 6001 69 (AR) 50 x 2040 x 1650
2) Medium voltage
3) Low voltage

21

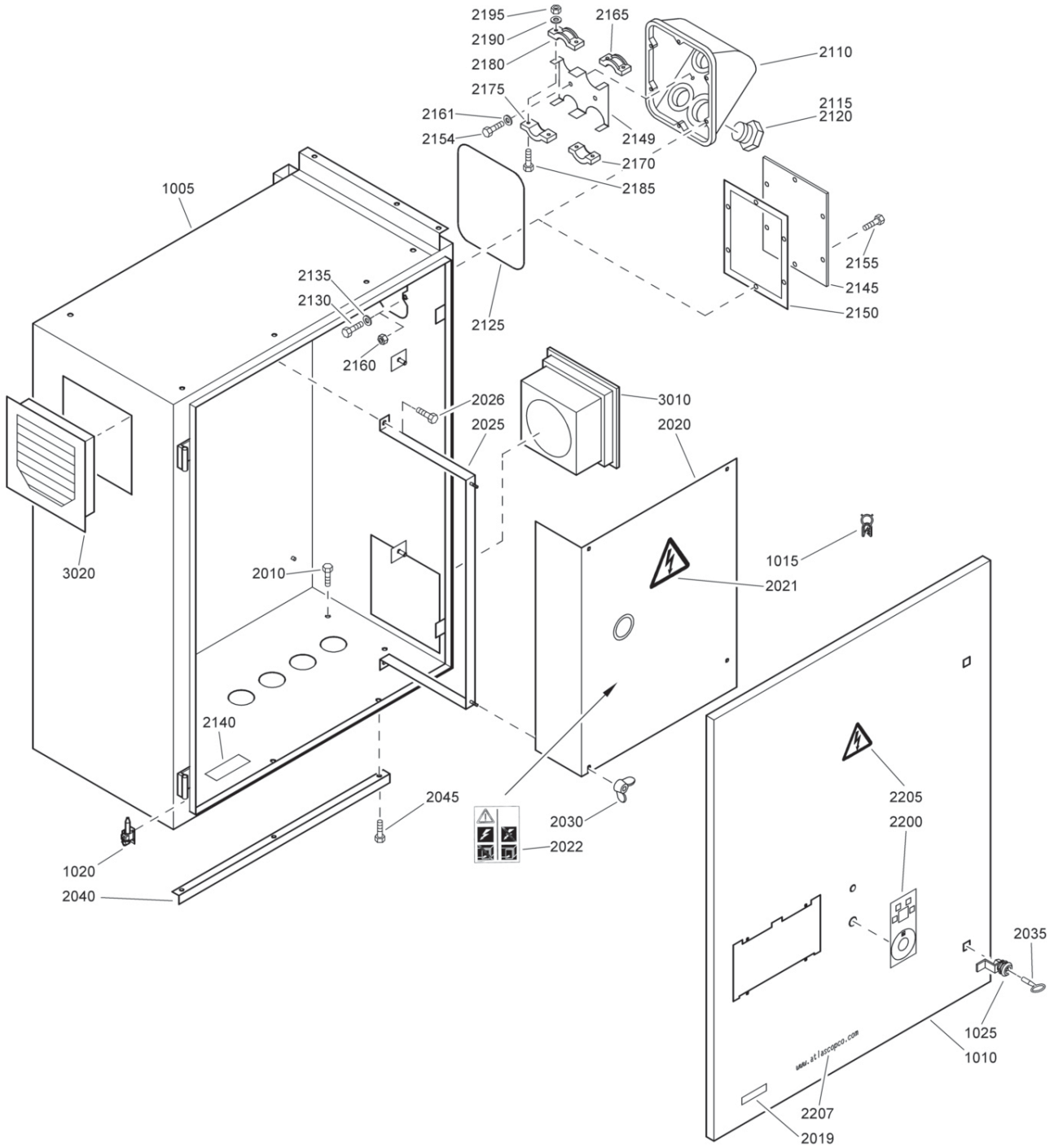


Bodywork - GA W

Ref.	Part number	Qty	Name	Remarks	Ref.	Part number	Qty	Name	Remarks
1010	1614 9505 00	1	Stay	1)	2076	1079 9913 69	1	Inform.label	
1020	1614 9898 00	1	Stay	1)	2077	1079 9913 79	1	Inform.label	
1021	1079 9901 09	1	Label		2085	1614 9886 00	1	Stay	1)
1027	1614 9908 00	1	Plate		2086	1079 9901 09	1	Label	
1028	1079 2904 01	3	Push nail		3005		1	Fan assembly	
1030	1614 9886 00	1	Stay	1)		1614 9608 01		400V/50Hz	
1031	1079 9901 09	1	Label			1614 9608 02		500V/50Hz	
1040	1614 9502 00	1	Stay	1)		1614 9608 03		380V/60Hz	
1050	1614 9501 00	1	Stay	1)		1614 9608 04		440-460V/60Hz	
1051	1079 9901 09	1	Label			1614 9608 05		575V/60Hz	
1060	1614 9502 00	1	Stay	1)	3010	0147 1250 03	3	Bolt	
1070	1614 9886 00	1	Stay	1)	3015	0300 0274 35	3	Washer	
1071	1079 9901 09	1	Label		3020	1503 0786 00	1	Rotation arrow	
1080	1614 9886 00	1	Stay	1)	3025	1088 1001 01	1	Warning mark	
1081	1079 9901 09	1	Label		4005		1	Plate	
1090	1614 9502 00	1	Stay	1)		1614 9911 00			4)
1100	1614 9919 00	1	Stay	1)		1614 9902 00			Others
1101	1079 9901 09	1	Label		4007		AR	Seal	
1102	1079 9910 95	1	Label			1202 6584 00			4)
1103	1079 9910 96	1	Label			1503 1056 00			Others
1110	1614 9599 00	1	Stay	1)	4015	1614 9862 00	1	Plate	4)
1120	1089 9068 01	1	Key		5005	<<<< >>>>	1	Air dryer	
1125	1614 9615 00	1	Panel	1)			AR	Bolt	
1126	2252 7237 00	2	Doorlock					M8 x 16	
1127	1619 5188 00	AR	Seal			0147 1322 03		M8 x 20	
1130	1614 9592 00	4	Door	1)		1619 2766 00		M8 x 25	
1131	2252 7237 00	4	Doorlock			0147 1325 03		M8 x 30	
1135			Door			1079 1472 06		M8 x 30	
	1614 9592 00	4		1)3)		1619 5337 01		M12 x 50	
	1614 9592 00	3		1)2)		0147 1405 03		Washer	
1136	0690 1140 01	1	House mark				AR	Ø8.4 x 16 x 1.6	
1140	1614 9593 00	3	Door	1)		0301 2335 00		Ø13 x 24 x 2.5	
1145	1614 9703 00	1	Panel	1)2)		0301 2358 00			
1155	1614 9401 00	1	Baffle	1)2)					
1156	1088 0412 06	2	Flange	2)					
1157	1088 0497 06	2	Gasket	2)					
2010	1614 9895 00	1	Roof	1)					
2025	1614 9573 00	1	Roof	1)					
2040	1621 9042 00	1	Roof	1)					
2060	1614 9907 00	1	Roof	1)					
2075	1614 9749 00	1	Stay	1)					

- 1) Lined with / Bekleed met / Beklädd med / Ausgekleidet mit / Garnir de / Rivestido de / Allineato con / Foret med / Revestido com / Kledd med / Vuorattu :
Foam: 0395 6001 69 (AR) 50 x 2040 x 1650
- 2) Medium voltage
- 3) Low voltage
- 4) Only for units with heavy duty filter

22

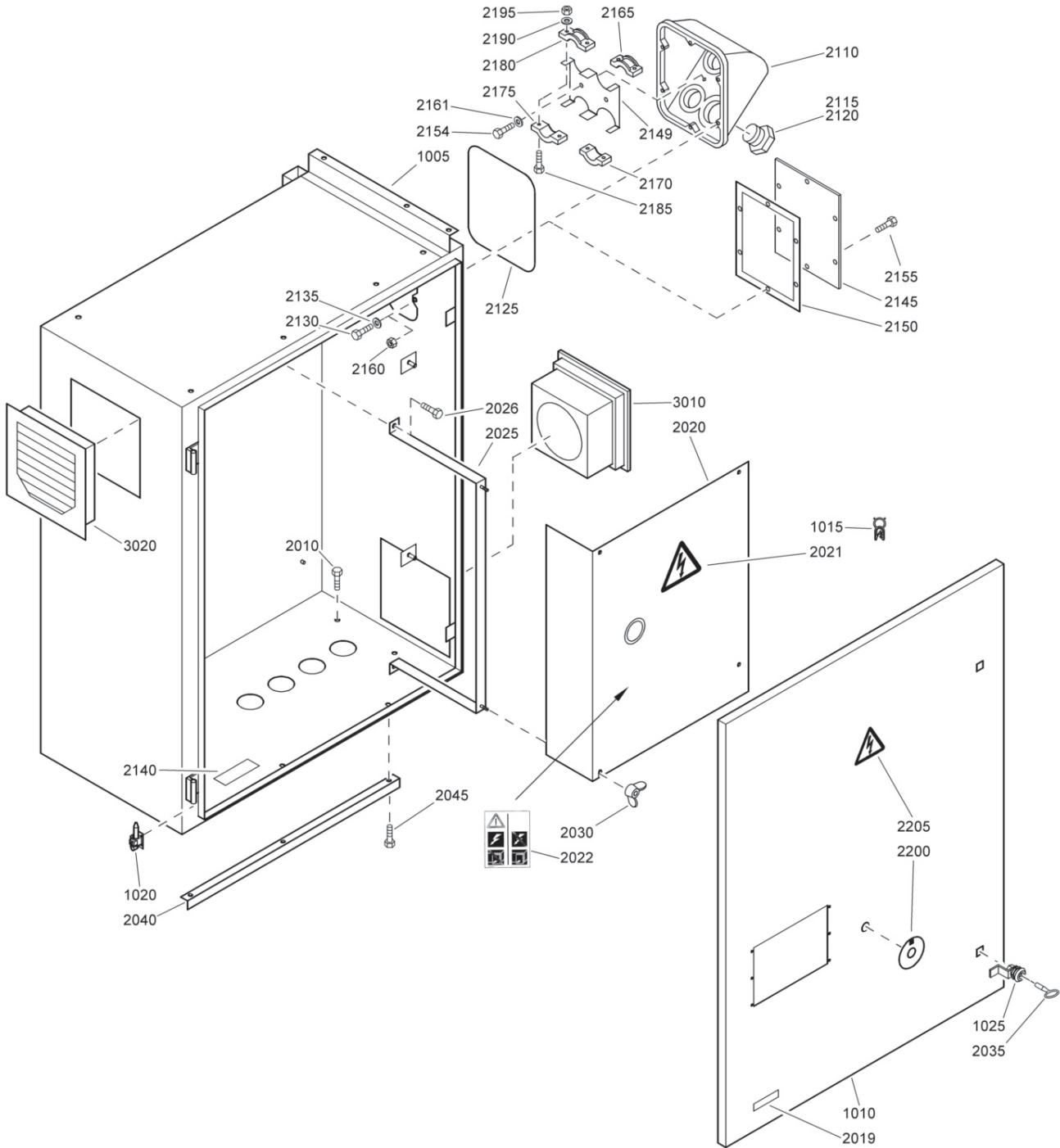


Cubicle - 1)

Ref.	Part number	Qty	Name	Remarks	Ref.	Part number	Qty	Name	Remarks
	1614 9904 80	1	Cubicle		2160	0266 2110 00	6	Nut	(CSA/UL)
	1614 9903 80		HAT version		2161	0301 2335 00	2	Washer	
			Others		2165	1614 6562 00	2	Clamp	
1005		• 1	Cubicle		2170	1614 6563 00	2	Clamp	
	1614 9904 00		HAT version		2175	1614 6565 00	2	Clamp	
	1614 9903 00		Others		2180	1614 6564 00	2	Clamp	
1010	1614 9905 00	• 1	Door		2185	0147 1250 03	8	Bolt	
1015	1202 6584 00	• AR	Seal		2190	0301 2321 00	8	Washer	
1020	1614 9106 03	• 2	Pin		2195	0266 2108 00	8	Nut	
1025	1619 7704 00	• 2	Lock		2200	1614 8071 00	1	Label	
2010	1079 1472 06	4	Bolt		2205	1088 1001 01	1	Warning mark	
2019	1613 3431 00	1	Label	(CSA/UL)	2207	1079 9920 56	1	Label	
2020		1	Screen		3010		1	Fan motor	HAT
	1614 9872 00		HAT version					version	
	1614 8924 00		Others					HAT version : High Ambient	
2021	1088 1001 04	1	Warning mark					Temperature	
2022	1079 9901 67	1	Label			1089 0598 01		50Hz	
2025	1614 9108 00	1	Bracket			1089 0598 02		60Hz	
2026	1619 2766 00	2	Bolt		3020	1089 0598 03	1	Filter	
2030	0296 1108 02	4	Wing nut					HAT version : High Ambient	
2035	1089 9154 02	1	Key					Temperature	
2040	1614 9380 00	1	Bracket						
2045	1079 1472 06	3	Bolt						
2110	1614 6571 00	1	Cable box						
2115	1088 0524 09	2	Plug						
2120	1088 0524 10	2	Plug						
2125	1614 6567 00	1	Seal						
2130	0147 1322 03	6	Bolt						
2135	0301 2335 00	6	Washer						
2140	1613 5330 00	1	Listing mark	(CSA/UL)					
2145	1614 7146 00	1	Flange	(CSA/UL)					
2149	1614 6566 00	1	Plate						
2150	1614 7145 00	1	Gasket	(CSA/UL)					
2154	0147 1322 03	2	Bolt						
2155	0147 1325 03	6	Bolt	(CSA/UL)					

1) Up to serial No. :
 Tot serienummer:
 T.o.m. tillverkningsnummer:
 Bis Seriennummer:
 Jusqu'au numéro de série:
 Hasta el número de serie:
 Fino al numeri di serie:
 Gælder til følgende serienumre:
 Até o número de série:
 Til følgende serienummer:
 Seuraavaan valmistusnumeroon asti, No.:
 AIF-078 301

23



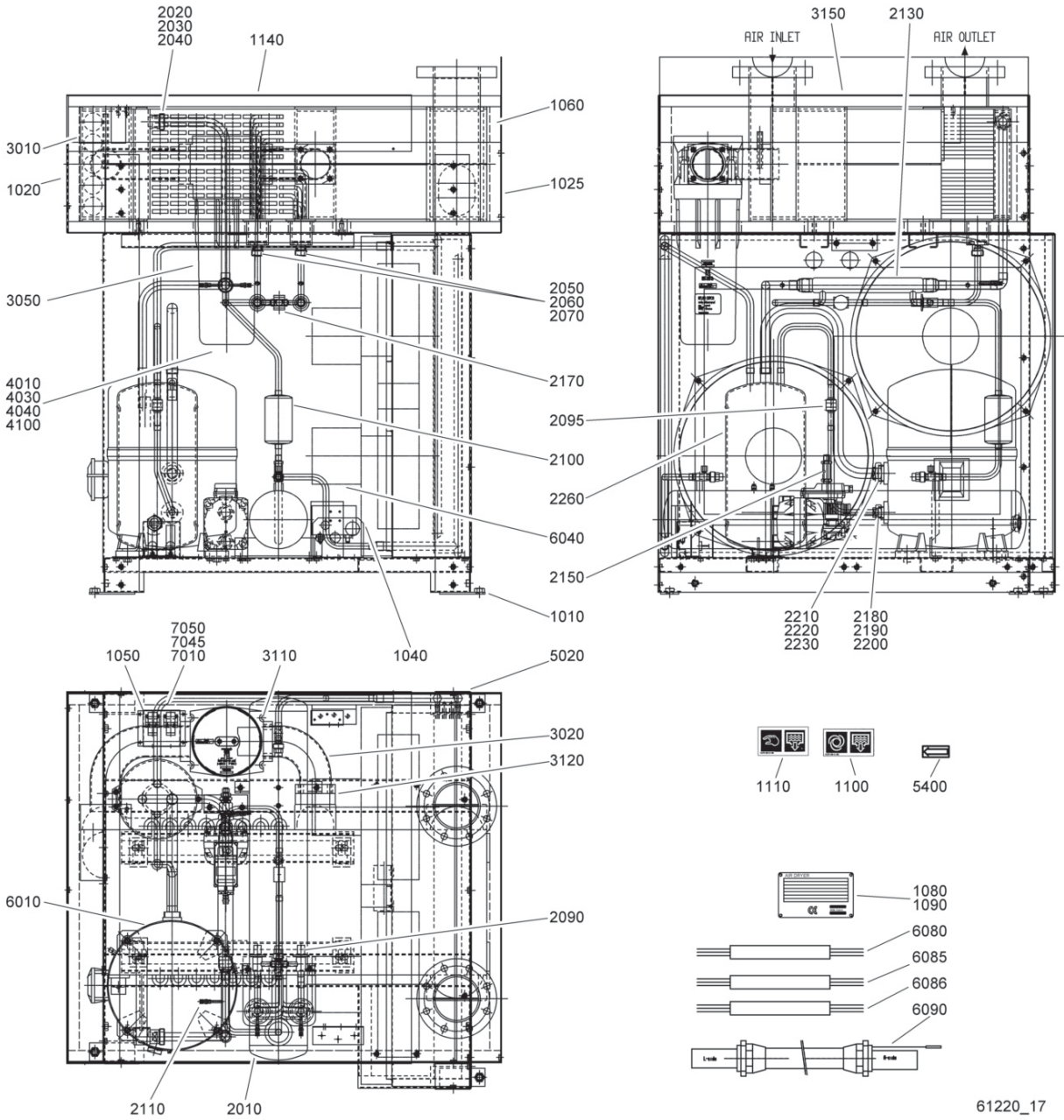
61811_12

Cubicle - 2)

Ref.	Part number	Qty	Name	Remarks	Ref.	Part number	Qty	Name	Remarks
	1621 4506 80	1	Cubicle		2160	0266 2110 00	6	Nut	(CSA/UL)
	1621 4501 80		HAT version		2161	0301 2335 00	2	Washer	
	1621 4501 80		Others		2165	1614 6562 00	2	Clamp	
1005		• 1	Cubicle		2170	1614 6563 00	2	Clamp	
	1621 4506 00		HAT version		2175	1614 6565 00	2	Clamp	
	1621 4501 00		Others		2180	1614 6564 00	2	Clamp	
1010	1621 4601 00	• 1	Door		2185	0147 1250 03	8	Bolt	
1015	1202 6584 00	• AR	Seal		2190	0301 2321 00	8	Washer	
1020	1614 9106 03	• 2	Pin		2195	0266 2108 00	8	Nut	
1025	1619 7704 00	• 2	Lock		2200	1621 0478 00	1	Label	
2010	1079 1472 06	4	Bolt		2205	1088 1001 01	1	Warning mark	
2019	1613 3431 00	1	Label	(CSA/UL)	3010		1	Fan motor	HAT
2020		1	Screen					version	
	1621 9286 00		HAT version					HAT version : High Ambient	
	1621 9285 00		Others					Temperature	
2021	1088 1001 04	1	Warning mark			1089 0598 01		230V-50/60Hz	
2022	1079 9901 67	1	Label			1089 0598 02		115V-50/60Hz	CSA/UL
2025	1614 9108 00	1	Bracket		3020	1089 0598 03	1	Filter	HAT
2026	1619 2766 00	2	Bolt					version	
2030	0296 1108 02	4	Wing nut					HAT version : High Ambient	
2035	1089 9154 02	1	Key					Temperature	
2040	1614 9380 00	1	Bracket						
2045	1079 1472 06	3	Bolt						
2110	1614 6571 00	1	Cable box						
2115	1088 0524 09	2	Plug						
2120	1088 0524 10	2	Plug						
2125	1614 6567 00	1	Seal						
2130	0147 1322 03	6	Bolt						
2135	0301 2335 00	6	Washer						
2140	1613 5330 00	1	Listing mark	(CSA/UL)					
2145	1614 7146 00	1	Flange	(CSA/UL)					
2149	1614 6566 00	1	Plate						
2150	1614 7145 00	1	Gasket	(CSA/UL)					
2154	0147 1322 03	2	Bolt						
2155	0147 1325 03	6	Bolt	(CSA/UL)					

2) From following serial No. onwards:
 Geldig vanaf volgend serienummer:
 Fr.o.m. tillverkningsnummer:
 Gültig ab Seriennummer:
 Valable à partir du numéro de série suivant:
 A partir del siguiente número de serie:
 Dai seguenti numeri di serie in avanti:
 Gælder fra følgende serienumre:
 A partir do número de série:
 Fra og med følgende serienummer:
 Alkaen valmistusnumerosta
 AIF-078 302

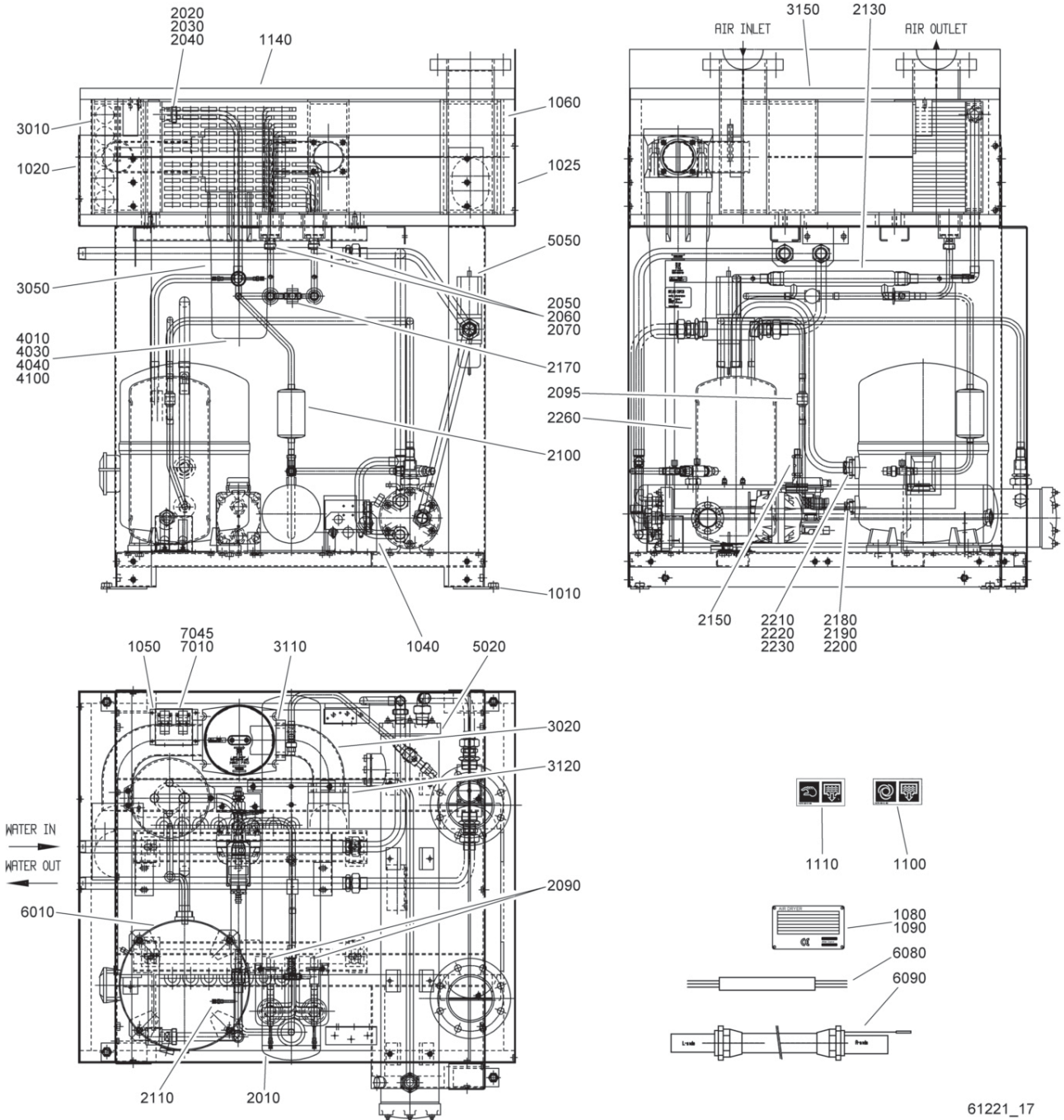
24



Air dryer - GA

Ref.	Part number	Qty	Name	Remarks	Ref.	Part number	Qty	Name	Remarks
		1	Air dryer		4100	0070 6002 13	•	AR Plastic tube	
	1617 2165 81		380-415V/50Hz		5020	1617 2137 00	•	1 Condensor	
	1617 2165 82		500V/50Hz		5400	1503 0786 00	•	2 Rotation arrow	
	1617 2165 86		440-460V/60Hz		6010		•	1 Refrigerant compressor	
	1617 2165 87		380V/60Hz			1619 7675 26		380-415V/50Hz, 440-460V/60Hz	
	1617 2165 88		575V/60Hz			1619 7675 28		380V 60Hz	
1010	1617 2133 00	• 1	Frame			1619 7675 33		500V/50Hz, 575V/60Hz	
1020	1617 2134 00	• 1	Support left		6040		•	2 Fan ass'y	
1025	1617 2135 00	• 1	Support right		1617 1183 81			380-415V/50Hz	
1040	1617 2069 00	• 1	Support		1617 1183 82			500V/50Hz, 575V/60Hz, 440-460V/60Hz	
1050	1617 2313 00	• 1	Box ip54		1614 9608 03		••	1 Fan motor	
1060	1617 2136 00	• 1	Box		1617 2382 00			380-415V/50Hz	
1080	1617 0745 00	• 1	Data plate		1617 2383 00			500V/50Hz, 575V/60Hz, 440-460V/60Hz	
1090	0129 3103 00	• 4	Blind rivet			1080 4049 07		380V 60Hz	
1100	1079 9915 89	• 1	Label				••	1 Fan	
1110	1079 9915 98	• 1	Label		1614 9623 00			380V 60Hz	
1140	1617 2631 00	• 1	Cover		1617 0526 00			Others	
2010	1617 1565 00	• 1	Liquid receiver			1614 9614 00		••	1 Fan guard
2020	1617 0488 00	• 1	Sleeve		1617 0364 00			Others	
2030	1617 0476 00	• 1	Nut			1617 0136 00		••	1 Adapter
2040	1617 0320 00	• 1	Ring					380-415V/50Hz, 500V/50Hz, 575V/60Hz, 440-460V/60Hz	
2050	1617 0386 00	• 2	Sleeve		6080		•	1 Cable (compressor)	
2060	1617 0314 00	• 2	Nut			1617 2512 01		60Hz	CSA/UL
2070	1617 0315 00	• 2	Ring			1617 2512 04		50Hz	
2090	1619 6768 17	• 2	Expansion valve		6085		•	1 Cable (fan 1)	
2095	1617 2384 00	• 1	Non return valve			1617 2512 02		60Hz	CSA/UL
2100	1619 5566 04	• 1	Freon dryer			1617 2512 05		50Hz	
2110	1619 5563 06	• 4	Non return valve		6086		•	1 Cable (fan 2)	
2130	1617 0962 00	• 1	Freon exchanger			1617 2512 03		60Hz	CSA/UL
2150	1617 2248 00	• 1	Safety valve			1617 2512 06		50Hz	
2170	1619 5567 04	• 1	Sight glass		6090		•	1 Wiring (regulating)	
2180	1617 0314 00	• 1	Nut			1617 2498 00		60Hz	CSA/UL
2190	1617 0386 00	• 1	Sleeve			1617 2497 00		50Hz	
2200	1617 0315 00	• 1	Ring		7010	1089 9214 10	•	1 Pressure switch	
2210	1617 0476 00	• 1	Nut		7045	1617 2618 00	•	2 Capillar connection	
2220	1617 1124 00	• 1	Sleeve		7050	1089 9214 33	•	1 Pressure switch	
2230	1617 0320 00	• 1	Ring						
2260	1617 2317 00	• 1	Liquid separator						
	1603 2132 80	•	Heat exchanger set						
3010	1617 2132 00	•• 1	Heat exchanger						
3020	1617 1247 00	•• 1	Connector						
3050	1613 6728 00	• 1	Waterseparator						
3110	0663 2107 46	• 2	O-ring						
3120	0650 1001 21	• 1	Gasket						
3150	1617 2318 80	• 1	Insulation box						
4010	0653 1062 00	• 2	Flat gasket						
4030	0581 0000 35	• 2	Straight coupling						
4040	0070 6002 05	•	AR Plastic tube						

25

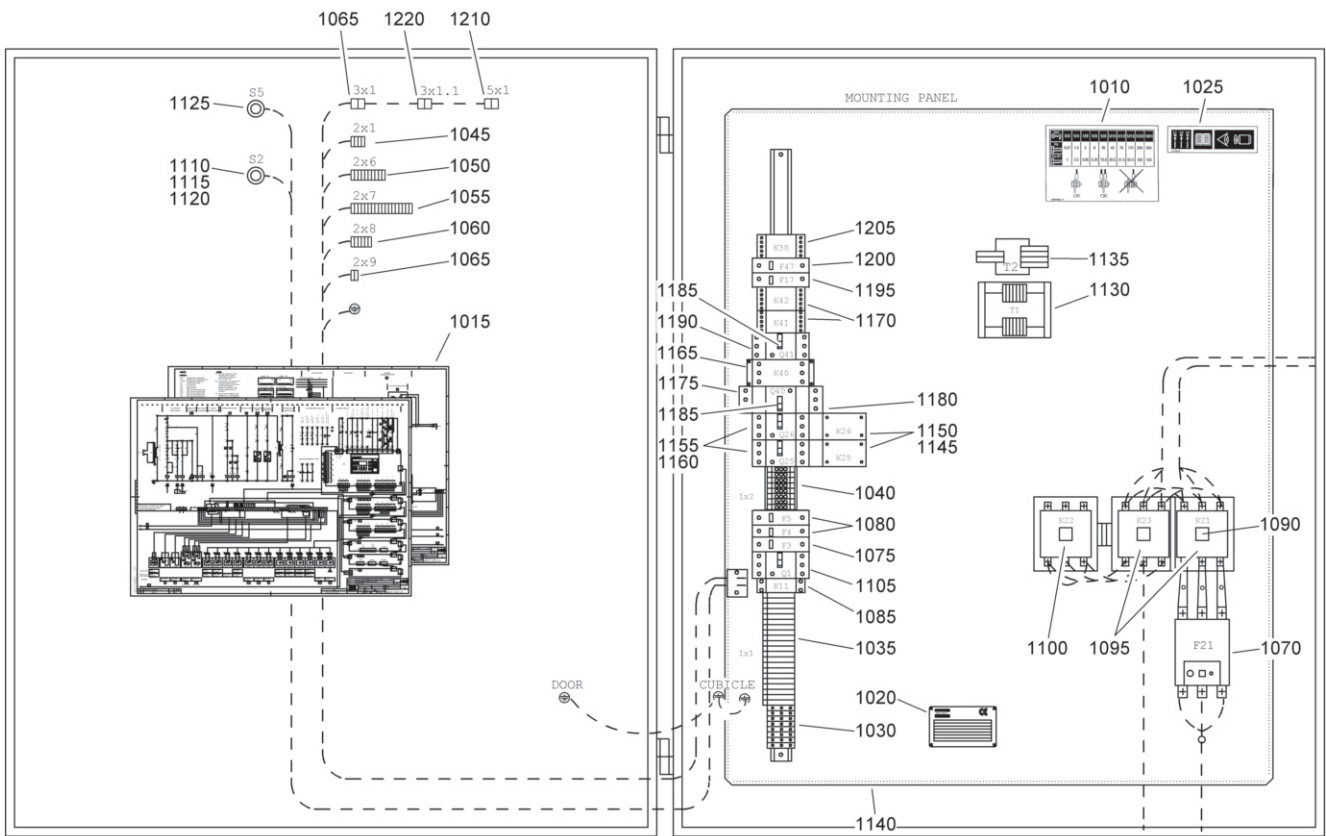


61221_17

Air dryer - GA W

Ref.	Part number	Qty	Name	Remarks	Ref.	Part number	Qty	Name	Remarks
		1	Air dryer						
	1617 2166 81		380-415V/50Hz		2200	1617 0315 00 •	1	Ring	
	1617 2166 82		500V/50Hz		2210	1617 0476 00 •	1	Nut	
	1617 2166 86		440-460V/60Hz		2220	1617 1124 00 •	1	Sleeve	
	1617 2166 87		380V/60Hz		2230	1617 0320 00 •	1	Ring	
	1617 2166 88		575V/60Hz		2260	1617 2317 00 •	1	Liquid seperator	
1010	1617 2133 00 •	1	Frame			1603 2132 80 •	1	Heat exchanger set	
1020	1617 2134 00 •	1	Support left		3010	1617 2132 00 ••	1	Heat exchanger	
1025	1617 2135 00 •	1	Support right		3020	1617 1247 00 ••	1	Connector	
1040	1617 2069 00 •	1	Support		3050	1613 6728 00 •	1	Waterseparator	
1050	1617 2313 00 •	1	Box ip54		3110	0663 2107 46 •	2	O-ring	
1060	1617 2136 00 •	1	Box		3120	0650 1001 21 •	1	Gasket	
1080	1617 0745 00 •	1	Data plate		3150	1617 2318 80 •	1	Insulation box	
1090	0129 3103 00 •	4	Blind rivet		4010	0653 1062 00 •	2	Flat gasket	
1100	1079 9915 89 •	1	Label		4030	0581 0000 35 •	2	Straight coupling	
1110	1079 9915 98 •	1	Label		4040	0070 6002 05 •	AR	Plastic tube	
1140	1617 2631 00 •	1	Cover		4100	0070 6002 13 •	AR	Plastic tube	
2010	1617 1565 00 •	1	Liquid receiver		5020	1617 1131 01 •	1	Condensor	
2020	1617 0488 00 •	1	Sleeve		5050	1617 2043 02 •	1	Regulating valve	
2030	1617 0476 00 •	1	Nut		6010		•	Refrigerant compressor	
2040	1617 0320 00 •	1	Ring			1619 7675 26		380-415V/50Hz, 440-460V/60Hz	
2050	1617 0386 00 •	2	Sleeve			1619 7675 28		380V 60Hz	
2060	1617 0314 00 •	2	Nut			1619 7675 33		500V/50Hz, 575V/60Hz	
2070	1617 0315 00 •	2	Ring						
2090	1619 6768 17 •	2	Expansion valve						
2095	1617 2384 00 •	1	Non return valve		6080		•	Cable (compressor)	
2100	1619 5566 04 •	1	Freon dryer			1617 2512 01		440-460V/60Hz	
2110	1619 5563 06 •	4	Non return valve			1617 2512 04		Others	
2130	1617 0962 00 •	1	Freon exchanger		6090		•	Wiring (regulation)	
2150	1617 2248 00 •	1	Safety valve			1617 2498 00		440-460V/60Hz	
2170	1619 5567 04 •	1	Sight glass			1617 2497 00		Others	
2180	1617 0314 00 •	1	Nut		7010	1089 9214 10 •	1	Pressure switch	
2190	1617 0386 00 •	1	Sleeve		7045	1617 2618 00 •	2	Capillar connection	

26



61486_12

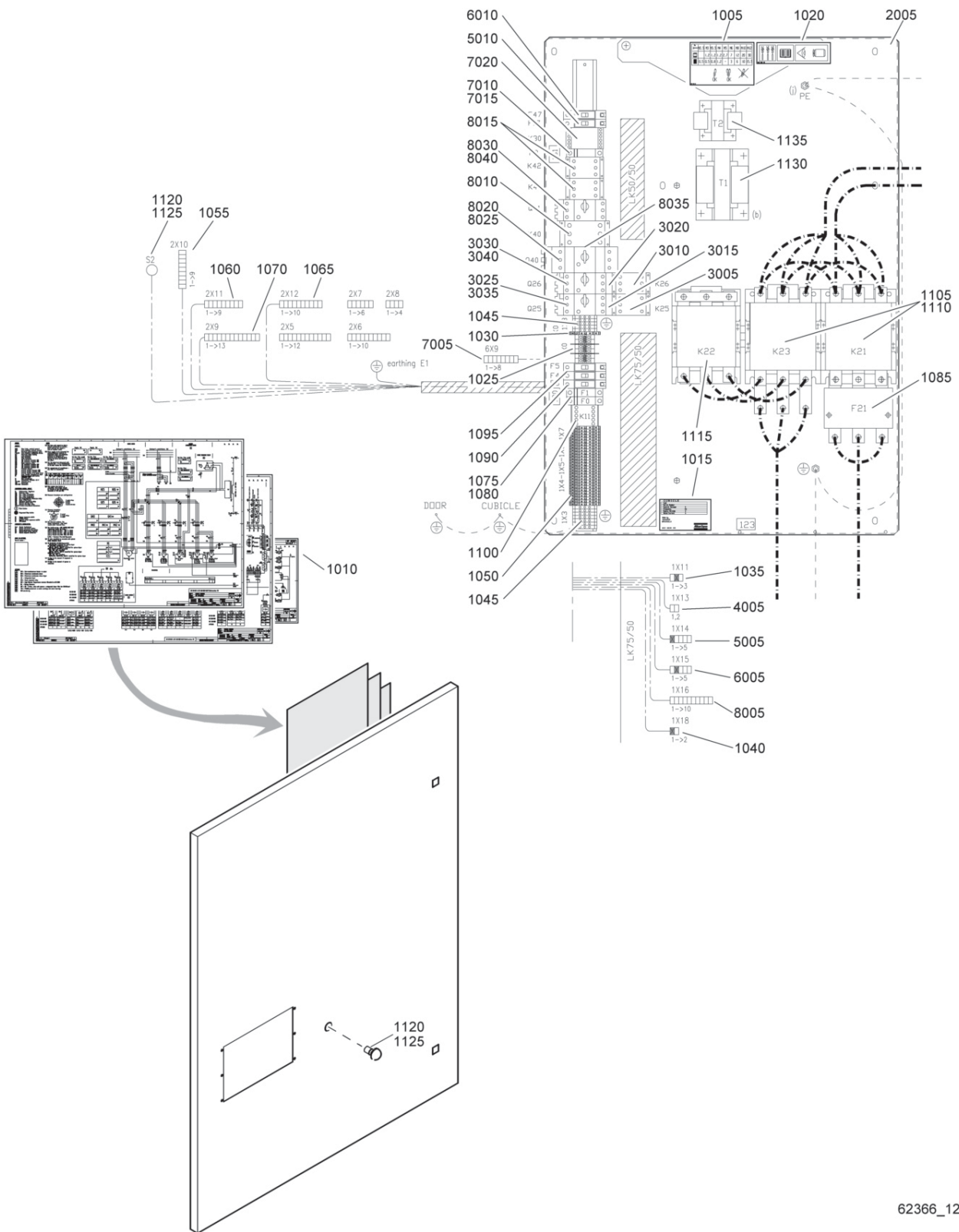
Start cubicle - star/delta - Control Voltage 230/24V - Full options - 1)-11)

Ref.	Part number	Qty	Name	Remarks	Ref.	Part number	Qty	Name	Remarks
		1	Control panel		1155			Circuit breaker	
	1900 3103 15		GA200 400V/50Hz		1089 9416 70	2	1)2)8)9)10)	Aircooled	
	1900 3103 16		GA250 400V/50Hz		1089 9416 69	2	3)4)	Aircooled	
	1900 3103 19		GA200 500V/50Hz		1089 9416 21	1	1)2)5)6)7)	Watercooled	
	1900 3103 20		GA250 500V/50Hz		1089 9416 20	1	3)4)8)9)10)	Watercooled	
	1900 3104 15		GA200 380V/60Hz		1160		Contact block		
	1900 3104 16		GA250 380V/60Hz		1089 9416 07	2	1)2)3)4)8)9)10)	Aircooled	
	1900 3104 17		GA315 380V/60Hz		1089 9416 07	1		Watercooled	
	1900 3104 19		GA200 440-460V/60Hz		1165	1	Contactactor		
	1900 3104 20		GA250 440-460V/60Hz		1089 9415 31		1)2)		
	1900 3104 21		GA315 440-460V/60Hz		1089 9415 23		3)4)		
1010	1079 9906 09	• 1	Label		1089 9415 32		5)6)7)8)9)10)		
1015	9823 1821 01	• 1	Label		1170	2	Contactactor		
1020	1613 6639 00	• 1	Data plate		1089 9415 11		1)2)3)4)	Aircooled	
1025	1079 9901 68	• 1	Label		1089 9415 12		5)6)7)	Aircooled	
1030	1089 0506 27	• 10	Terminal		1175	1	Circuit breaker		
1035	1089 9398 11	• 36	Terminal		1089 9416 84		1)2)		
1040	1089 0506 06	• 6	Terminal		1089 9416 73		3)4)		
1045	1088 0024 04	• 1	Connector		1089 9416 81		5)6)7)8)9)10)		
1050	1088 0024 10	• 1	Connector		1180	1	Connection element		
1055	1088 0024 18	• 1	Connector		1089 9416 91		3)4)		
1060	1088 0000 06	• 1	Connector		1185		Contact block		
1065	1088 0024 02	• 2	Connector		1089 9416 07	2		Aircooled	
1070		• 1	Overload relay		1089 9416 07	1		Watercooled	
	1089 9399 02		3)		1190	1	Circuit breaker		
	1089 9399 03		1)2)4)5)6)7)8)9)10)		1089 9416 27		1)2)3)4)	Aircooled	
1075	1089 9203 11	• 1	Circuit breaker		1089 9416 29		5)6)7)8)9)10)	Aircooled	
1080	1089 9203 04	• 2	Circuit breaker		1195	1089 9203 23	1	Circuit breaker	
1085	1089 9388 01	• 1	Interface relay		1200	1089 9203 23	1	Circuit breaker	
1090	1089 9221 95	• 1	Contact block		1205	1	Phase sequence relay		
1095		• 2	Contactactor		1089 9461 01		1)2)5)6)7)		
	1089 9221 30		3)		1089 9461 03		3)4)8)9)10)		
	1089 9421 14		7)		1210	1088 0024 02	1	Connector	
	1089 9221 96		1)2)4)5)6)8)9)10)		1220	1088 0024 02	1	Connector	
1100		• 1	Contactactor		1)	GA200 400V/50Hz			
	1089 9421 11		1)4)8)		2)	GA250 400V/50Hz			
	1089 9221 30		2)5)		3)	GA200 500V/50Hz			
	1089 9221 03		3)		4)	GA250 500V/50Hz			
	1089 9421 12		6)7)9)10)		5)	GA200 380V/60Hz			
1105		• 1	Circuit breaker		6)	GA250 380V/60Hz			
	1089 9416 24		1)2)9)10)		7)	GA315 380V/60Hz			
	1089 9416 23		3)4)8)		8)	GA200 440-460V/60Hz			
	1089 9416 25		5)6)7)		9)	GA250 440-460V/60Hz			
1110	1089 0362 51	• 1	Emergency stop button		10)	GA315 440-460V/60Hz			
1115	1089 0362 50	• 1	Contact block		11)	Up to serial No. :			
1120	1089 0362 58	• 1	Contact block			Tot serienummer:			
1125	1089 9082 24	• 1	Key switch			T.o.m. tillverkningsnummer:			
1130		• 1	Transformer			Bis Seriennummer:			
	1089 9136 98		1)2)			Jusqu'au numéro de série:			
	1089 9436 07		3)4)8)			Hasta el número de serie:			
	1089 9436 08		5)6)7)9)10)			Fino al numeri di serie:			
1135	1089 9436 11	• 1	Transformer			Gælder til følgende serienumre:			
1140	1614 9906 00	• 1	Mounting plate			Até o número de série:			
1145			Contactactor			Til følgende serienummer:			
	1089 9415 21	2	1)2)3)4)	Aircooled		Seuraavaan valmistusnumeroon asti, No.:			
	1089 9415 23	2	8)9)10)	Aircooled		AIF-078 301			
	1089 9415 11	1		Watercooled					
1150			Connection element						
	1089 9416 91	2	1)2)3)4)8)9)10)	Aircooled					
	1089 9416 06	1		Watercooled					

Start cubicle - star/delta - Control Voltage 230/24V - Full options - 2)

Ref.	Part number	Qty	Name	Remarks	Ref.	Part number	Qty	Name	Remarks
		1	Control panel			1089 9436 07		GA250 500V/50Hz	
	1900 3130 10		GA200 400V/50Hz, GA200 500V/50Hz, GA200 440-460V/60Hz		1135	1089 9136 93	• 1	Trafo	
					2005	1614 9906 00	• 1	Mounting plate	
	1900 3130 11		GA250 400V/50Hz, GA200 380V/60Hz, GA250 380V/60Hz, GA250 440-460V/60Hz, GA315 440-460V/60Hz			1900 3133 40	1	Option Fan	
								GA200-GA250-GA315 380-415V/50Hz, GA200-GA250-GA315 380V/60Hz, GA200-GA250-GA315 440-460V/60Hz	
	1900 3130 12		GA250 500V/50Hz			1900 3133 41		GA200-GA250-GA315 500V/50Hz	
	1900 3130 13		GA315 380V/60Hz			1900 3133 50		GA200 W-GA250 W-GA315 W 380-415V/50Hz, GA200 W-GA250 W-GA315 W 380V/60Hz	
1005	1079 9906 09	• 1	Label			1900 3133 51		GA200 W-GA250 W-GA315 W 500V/50Hz, GA200 W-GA250 W-GA315 W 440-460V/60Hz	
1010	9823 1821 11	• 1	Label					GA200 W-GA250 W-GA315 W 440-460V/60Hz	
1015	1613 6639 00	• 1	Data plate					GA200 W-GA250 W-GA315 W 440-460V/60Hz	
1020	1079 9901 68	• 1	Label					GA200 W-GA250 W-GA315 W 440-460V/60Hz	
1025	1089 0506 06	• 6	Terminal					GA200 W-GA250 W-GA315 W 440-460V/60Hz	
1030	1089 9398 12	• 1	Terminal					GA200 W-GA250 W-GA315 W 440-460V/60Hz	
1035	1088 0031 03	• 1	Connector					GA200 W-GA250 W-GA315 W 440-460V/60Hz	
1040	1088 0031 02	• 1	Connector					GA200 W-GA250 W-GA315 W 440-460V/60Hz	
1045	1089 0506 27	• 11	Terminal					GA200 W-GA250 W-GA315 W 440-460V/60Hz	
1050	1089 9398 11	• 29	Terminal					GA200 W-GA250 W-GA315 W 440-460V/60Hz	
1055	1088 0031 49	• 1	Connector		3005		• 1	Contact	
1060	1088 0031 29	• 1	Connector			1089 9415 21		GA200-GA250-GA315 380-415V/50Hz, GA200-GA250-GA315 380V/60Hz, GA200-GA250-GA315 440-460V/60Hz	
1065	1088 0031 30	• 1	Connector					GA200-GA250-GA315 440-460V/60Hz	
1070	1088 0031 13	• 1	Connector					GA200-GA250-GA315 500V/50Hz	
1075	1089 0612 25	• 2	Fuse					GA200 W-GA250 W-GA315 W 380-415V/50Hz, GA200 W-GA250 W-GA315 W 380V/60Hz, GA200 W-GA250 W-GA315 W 500V/50Hz, GA200 W-GA250 W-GA315 W 440-460V/60Hz	
1080	1089 0612 01	• 2	Fuse					GA200 W-GA250 W-GA315 W 440-460V/60Hz	
1085		• 1	Electrical overload relay			1089 9415 13		GA200-GA250-GA315 500V/50Hz	
	1089 9446 22		GA200 400V/50Hz, GA200-GA250 500V/50Hz, GA200 440-460V/60Hz			1089 9415 11		GA200 W-GA250 W-GA315 W 380-415V/50Hz, GA200 W-GA250 W-GA315 W 380V/60Hz, GA200 W-GA250 W-GA315 W 500V/50Hz, GA200 W-GA250 W-GA315 W 440-460V/60Hz	
	1089 9446 23		GA200-GA250-GA315 380V/60Hz, GA250 400V/50Hz, GA250-GA315 440-460V/60Hz					GA200 W-GA250 W-GA315 W 440-460V/60Hz	
1090	1089 9203 11	• 1	Circuit breaker					GA200 W-GA250 W-GA315 W 440-460V/60Hz	
1095	1089 9203 11	• 2	Circuit breaker		3010		• 1	Contact	
1100	1089 9415 17	• 1	Contact			1089 9415 21		GA200-GA250-GA315 380-415V/50Hz, GA200-GA250-GA315 380V/60Hz, GA200-GA250-GA315 440-460V/60Hz	
1105		• 2	Contact					GA200-GA250-GA315 440-460V/60Hz	
	1089 9415 78		GA200 400V/50Hz, GA200-GA250 500V/50Hz, GA200 440-460V/60Hz					GA200-GA250-GA315 500V/50Hz	
	1089 9415 79		GA200-GA250 380V/60Hz, GA250 400V/50Hz, GA250-GA315 440-460V/60Hz			1089 9415 13		GA200-GA250-GA315 500V/50Hz	
	1089 9415 74		GA315 380V/60Hz		3015		• 1	Connecting element	
1110	1089 9415 09	• 2	Contact block			1089 9416 91		GA200-GA250-GA315 380-415V/50Hz, GA200-GA250-GA315 380V/60Hz, GA200-GA250-GA315 440-460V/60Hz	
1115		• 1	Contact					GA200-GA250-GA315 440-460V/60Hz	
	1089 9415 58		GA200 400V/50Hz, GA200-GA250 500V/50Hz, GA200 440-460V/60Hz					GA200-GA250-GA315 500V/50Hz, GA200 W-GA250 W-GA315 W 380-415V/50Hz, GA200 W-GA250 W-GA315 W 380V/60Hz, GA200 W-GA250 W-GA315 W 500V/50Hz, GA200 W-GA250 W-GA315 W 440-460V/60Hz	
	1089 9415 59		GA200-GA250 380V/60Hz, GA250 400V/50Hz, GA250-GA315 440-460V/60Hz			1089 9416 06		GA200-GA250-GA315 500V/50Hz, GA200 W-GA250 W-GA315 W 380-415V/50Hz, GA200 W-GA250 W-GA315 W 380V/60Hz, GA200 W-GA250 W-GA315 W 500V/50Hz, GA200 W-GA250 W-GA315 W 440-460V/60Hz	
	1089 9415 78		GA315 380V/60Hz					GA200 W-GA250 W-GA315 W 440-460V/60Hz	
1120	1089 0362 51	• 1	Emergency stop button					GA200 W-GA250 W-GA315 W 440-460V/60Hz	
1125	1089 0362 58	• 1	Contact block					GA200 W-GA250 W-GA315 W 440-460V/60Hz	
1130		• 1	Trafo					GA200 W-GA250 W-GA315 W 440-460V/60Hz	
	1089 9436 08		GA200-GA250 400V/50Hz, GA200 500V/50Hz, GA200-GA250-GA315 380V/60Hz, GA200-GA250-GA315 440-460V/60Hz					GA200 W-GA250 W-GA315 W 440-460V/60Hz	

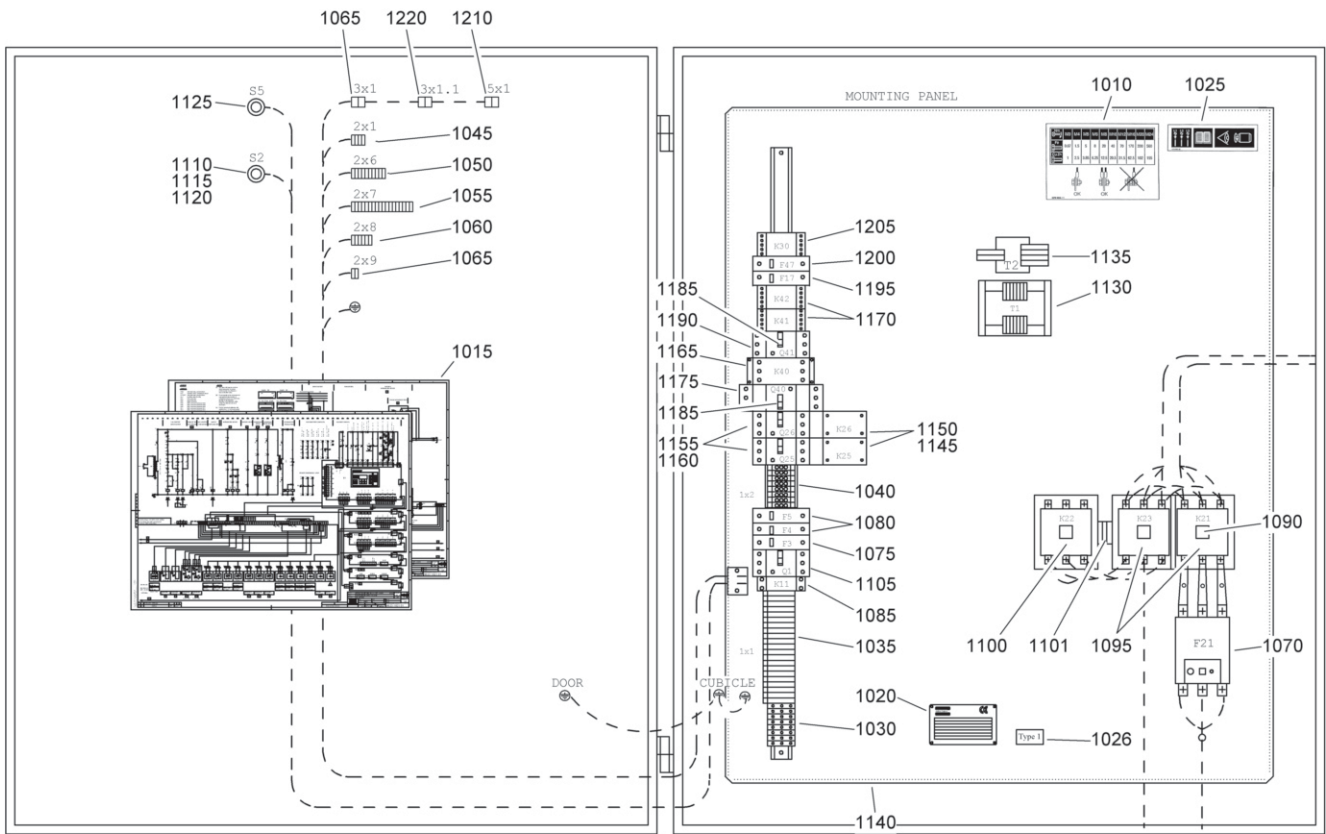
27



Start cubicle - star/delta - Control Voltage 230/24V - Full options - 2)

Ref.	Part number	Qty	Name	Remarks	Ref.	Part number	Qty	Name	Remarks
3020	1089 9416 91	• 1	Connecting element GA200-GA250-GA315 380-415V/50Hz, GA200-GA250-GA315 380V/60Hz, GA200-GA250-GA315 440-460V/60Hz		1901	3134 73		GA200-GA250-GA315 460V/60Hz	
	1089 9416 06		GA200-GA250-GA315 500V/50Hz		1902	3134 81		GA200 W-GA250 W 400V/50Hz	
					1902	3134 82		GA200 W-GA250 W 500V/50Hz	
					1903	3134 83		GA200 W-GA250 W-GA315 W 380V/60Hz, GA200 W-GA250 W-GA315 W 460V/60Hz	
3025	1089 9416 70	• 1	Circuit breaker GA200-GA250-GA315 380-415V/50Hz, GA200-GA250-GA315 380V/60Hz, GA200-GA250-GA315 440-460V/60Hz	8005 8010	1088 0031 10	• 1	Connector		
	1089 9416 29		GA200-GA250-GA315 500V/50Hz		1089 9415 31	• 1	Contacteur GA200(W)-GA250(W) 400V/50Hz		
	1089 9416 21		GA200 W-GA250 W-GA315 W 380-415V/50Hz, GA200 W-GA250 W-GA315 W 380V/60Hz		1089 9415 23		GA200(W)-GA250(W) 500V/50Hz		
	1089 9416 20		GA200 W-GA250 W-GA315 W 500V/50Hz, GA200 W-GA250 W-GA315 W 440-460V/60Hz	8015	1089 9415 32		GA200 W-GA250 W-GA315 W 380V/60Hz, GA200(W)-GA250(W)-GA315(W) 460V/60Hz		
					1089 9415 11	• 2	Contacteur GA200-GA250 400V/50Hz, GA200-GA250 500V/50Hz		
					1089 9415 13		GA200-GA250-GA315 460V/60Hz		
3030	1089 9416 70	• 1	Circuit breaker GA200-GA250-GA315 380-415V/50Hz, GA200-GA250-GA315 380V/60Hz, GA200-GA250-GA315 440-460V/60Hz	8020	1089 9416 84	• 1	Circuit breaker GA200(W)-GA250(W) 400V/50Hz		
	1089 9416 29		GA200-GA250-GA315 500V/50Hz		1089 9416 73		GA200(W)-GA250(W) 500V/50Hz		
					1089 9416 81		GA200 W-GA250 W-GA315 W 380V/60Hz, GA200(W)-GA250(W)-GA315(W) 460V/60Hz		
3035	1089 9416 07	• 1	Contact block	8025 8030	1089 9416 07	• 1	Contact block		
3040	1089 9416 07	• 1	Contact block GA200-GA250-GA315 380-415V/50Hz, GA200-GA250-GA315 380V/60Hz, GA200-GA250-GA315 440-460V/60Hz		1089 9416 07		GA200-GA250 400V/50Hz, GA200-GA250 500V/50Hz, GA200-GA250-GA315 460V/60Hz		
					8035	• 1	Connecting element GA200(W)-GA250(W) 500V/50Hz		
					8040	• 1	Circuit breaker GA200-GA250 400V/50Hz, GA200-GA250 500V/50Hz		
	1900 3134 01	1	Option Motor Heater		1089 9416 27		GA200-GA250-GA315 460V/60Hz		
4005	1088 0031 02	• 1	Connector		1089 9416 29		GA200-GA250-GA315 460V/60Hz		
	1900 3134 02	1	Option Condensate Drain		1900 3134 12	1	Option HAT		
5005	1088 0031 05	• 1	Connector		1900 3134 13	1	Option Energy Recovery		
5010	1089 9203 31	• 1	Circuit breaker		1900 3134 14	1	Option DDP-Filter		
	1900 3134 03	1	Option Condensate Drain Dryer		1900 3134 15	1	Option PT1000		
6005	1088 0031 05	• 1	Connector		1900 3134 16	1	Option Profibus		
6010	1089 9203 31	• 1	Circuit breaker		1900 3134 17	1	Option Modbus		
		1	Option Phase Sequence Relay 400V 500V	2)	From following serial No. onwards: Geldig vanaf volgend serienummer: Fr.o.m. tillverkningsnummer: Gültig ab Seriennummer: Valable à partir du numéro de série suivant: A partir del siguiente número de serie: Dai seguenti numeri di serie in avanti: Gælder fra følgende serienummer: A partir do número de série: Fra og med følgende serienummer: Alkaen valmistusnumerosta AIF-078 302				
7005	1088 0031 08	• 1	Connector						
7010	1089 0612 24	• 1	Fuse						
7015	1089 0612 01	• 1	Fuse holder						
7020	1089 9461 01	• 1	Phase sequence relay 400V						
	1089 9461 03		500V						
		1	Option Dryer GA200-GA250 400V/50Hz GA200-GA250 500V/50Hz						
	1900 3134 71								
	1901 3134 72								

28



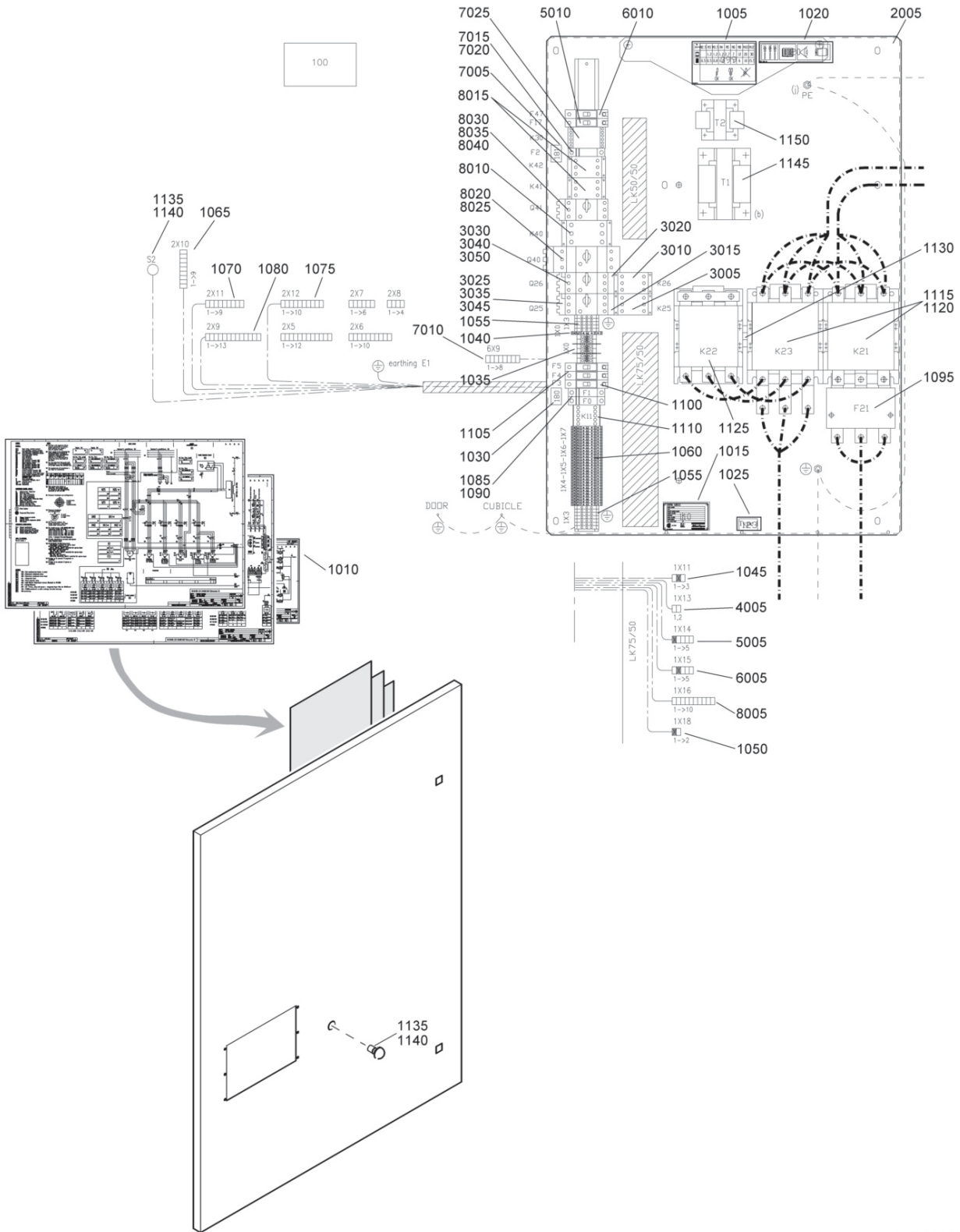
61487_12

Start cubicle - star/delta - Control Voltage 115/24V - CSA/UL - Full options - 1)-7)

28

Ref.	Part number	Qty	Name	Remarks	Ref.	Part number	Qty	Name	Remarks
		1	Control panel C,U		1150			Connection element	
	1900 3105 19		GA200 440-460V/60Hz			1089 9416 91	2		Aircooled
	1900 3105 20		GA250 440-460V/60Hz			1089 9416 06	1		Watercooled
	1900 3105 21		GA315 440-460V/60Hz		1155			Circuit breaker	
	1900 3105 23		GA200 575V/60Hz			1089 9416 70	2	1)2)3)	Aircooled
	1900 3105 24		GA250 575V/60Hz			1089 9416 69	2	4)5)6)	Aircooled
	1900 3105 25		GA315 575V/60Hz			1089 9416 21	1	1)2)3)	Watercooled
1010	1079 9906 09	• 1	Label			1089 9416 20	1	4)5)6)	Watercooled
1015	9823 1821 01	• 1	Label		1160			Contact block	
1020	1613 3046 00	• 1	Data plate			1089 9416 07	2		Aircooled
1025	1079 9901 68	• 1	Label			1089 9416 07	1		Watercooled
1026	1079 9911 01	• 1	Label		1165		1	Contactactor	
1030	1089 0506 27	• 10	Terminal			1089 9415 35		1)2)3)	
1035	1089 9398 11	• 36	Terminal			1089 9415 34		4)5)6)	
1040	1089 0506 06	• 6	Terminal		1170	1089 9415 14	2	Contactactor	Aircooled
1045	1088 0024 04	• 1	Connector		1175		1	Circuit breaker	
1050	1088 0024 10	• 1	Connector			1089 9416 81		1)2)3)	
1055	1088 0024 18	• 1	Connector			1089 9416 84		4)5)6)	
1060	1088 0000 06	• 1	Connector		1185			Contact block	
1065	1088 0024 02	• 2	Connector			1089 9416 07	2		Aircooled
1070	1089 9399 12	• 1	Overload relay			1089 9416 07	1		Watercooled
1075		• 1	Circuit breaker		1190		1	Circuit breaker	
	1089 9203 38		1)2)3)			1089 9416 69		1)2)3)	Aircooled
	* * *		4)5)6)			1089 9416 68		4)5)6)	Aircooled
1080	1089 9203 36	• 2	Circuit breaker		1195	1089 9203 31	1	Circuit breaker	
1085	1089 9388 01	• 1	Interface relay		1200	1089 9203 31	1	Circuit breaker	
1090	1089 9221 95	• 1	Contact block		1205		1	Phase sequence relay	
1095		• 2	Contactactor			1089 9461 03		1)2)3)	
	1089 9221 50		1)5)6)			1089 9461 04		4)5)6)	
	1089 9221 94		2)3)		1210	1088 0024 02	1	Connector	
	1089 9221 43		4)		1220	1088 0024 02	1	Connector	
1100		• 1	Contactactor						
	1089 9221 43		1)3)						
	1089 9221 49		2)						
	1089 9221 48		4)5)						
	1089 9221 93		6)						
1101	1089 9216 03	• 1	Interlock						
1105		• 1	Circuit breaker						
	1089 9416 24		1)2)3)						
	1089 9416 22		4)5)6)						
1110	1089 0362 51	• 1	Emergency stop button						
1115	1089 0362 50	• 1	Contact block						
1120	1089 0362 58	• 1	Contact block						
1125	1089 9082 24	• 1	Key switch						
1130		• 1	Transformer						
	1089 9436 09		1)2)3)						
	1089 9436 08		4)5)6)						
1135	1089 9436 11	• 1	Transformer						
1140	1614 9906 00	• 1	Mounting plate						
1145			Contactactor						
	1089 9415 24	2		Aircooled					
	1089 9415 14	1		Watercooled					

29



62367_12

Start cubicle - star/delta - Control Voltage 115/24V - CSA/UL - Full options - 2)

29

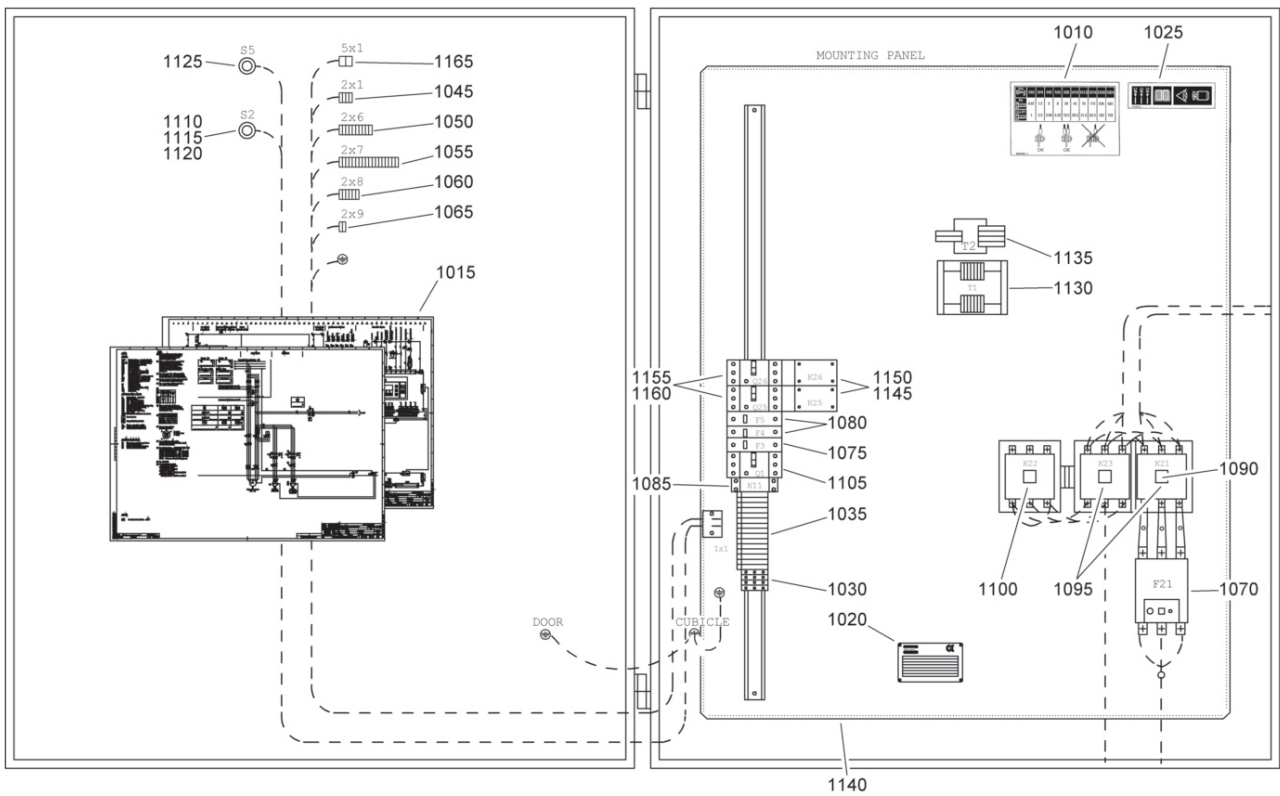
Ref.	Part number	Qty	Name	Remarks	Ref.	Part number	Qty	Name	Remarks
		1	Control panel C,U		1150	1089 9436 11	• 1	Trafo	
	1900 3131 10		GA200 440-460V/60Hz		2005	1614 9906 00	• 1	Mounting plate	
	1900 3131 11		GA200 575V/60Hz				• 1	Option Fan	
	1900 3131 12		GA250 440-460V/60Hz			1900 3133 60		GA200-GA250-GA315	
	1900 3131 13		GA315 440-460V/60Hz					440-460V/60Hz	
	1900 3131 14		GA250 575V/60Hz,			1900 3133 61		GA200-GA250-GA315	
			GA315 575V/60Hz					575V/60Hz	
1005	1079 9906 09	• 1	Label			1900 3133 70		GA200 W-GA250 W-	
1010	9823 1821 11	• 1	Label					GA315 W 440-460V/60Hz	
1015	1614 8949 00	• 1	Data plate			1900 3133 71		GA200 W-GA250 W-	
1020	1079 9901 68	• 1	Label					GA315 W 575V/60Hz	
1025	1079 9911 01	• 1	Label		3005	1089 9415 24	• 1	Contacto	
1030		• 1	Fuse label		3010		• 1	Contacto	
	1079 9922 74		GA200 440-460V/60Hz,			1089 9415 24		Aircooled	
			GA250 440-460V/60Hz,		3015	1089 9416 91	• 1	Connecting element	
			GA315 440-460V/60Hz,		3020		• 1	Connecting element	
			GA250-GA315 575V/60Hz			1089 9416 91		Aircooled	
	1079 9922 70		GA200 575V/60Hz		3025		• 1	Circuit breaker	
1035	1089 0506 06	• 6	Terminal			1089 9416 70		GA200-GA250-GA315	
1040	1089 9398 12	• 1	Terminal					440-460V/60Hz	
1045	1088 0031 03	• 1	Connector			1089 9416 69		GA200-GA250-GA315	
1050	1088 0031 02	• 1	Connector					575V/60Hz	
1055	1089 0506 27	• 11	Terminal			1089 9416 61		GA200 W-GA250 W-	
1060	1089 9398 11	• 29	Terminal					GA315 W 440-460V/60Hz	
1065	1088 0031 49	• 1	Connector			1089 9416 60		GA200 W-GA250 W-	
1070	1088 0031 29	• 1	Connector					GA315 W 575V/60Hz	
1075	1088 0031 30	• 1	Connector		3030		• 1	Circuit breaker	
1080	1088 0031 13	• 1	Connector			1089 9416 70		GA200-GA250-GA315	
1085		• 2	Fuse					440-460V/60Hz	
	1089 9168 27		GA200 440-460V/60Hz,			1089 9416 69		GA200-GA250-GA315	
			GA250 440-460V/60Hz,		3035	1089 9416 07	• 1	Contact block	
			GA315 440-460V/60Hz,		3040		• 1	Contact block	
			GA250-GA315 575V/60Hz			1089 9416 07		Aircooled	
	1089 9168 26		GA200 575V/60Hz		3045	1089 9416 75	• 1	Terminal block	
1090	1089 0612 01	• 2	Fuse holder		3050		• 1	Terminal block	
1095		• 1	Electrical overload relay			1089 9416 75		Aircooled	
	1089 9446 22		GA200 440-460V/60Hz,			1900 3134 01	• 1	Option Motor Heater	
			GA250-GA315 575V/60Hz		4005	1088 0031 02	• 1	Connector	
	1089 9446 21		GA200 575V/60Hz			1900 3134 02	• 1	Option Condensate Drain	
	1089 9446 23		GA250-GA315 440-460V/		5005	1088 0031 05	• 1	Connector	
			60Hz		5010	1089 9203 31	• 1	Circuit breaker	
1100	1089 9203 38	• 1	Circuit breaker			1900 3134 03	• 1	Option Condensate Drain	
1105	1089 9203 36	• 2	Circuit breaker					Dryer	
1110	1089 9415 17	• 1	Contacto		6005	1088 0031 05	• 1	Connector	
1115		• 2	Contacto		6010	1089 9203 31	• 1	Circuit breaker	
	1089 9415 82		GA200 440-460V/60Hz,				• 1	Option Phase Sequence	
			GA250-GA315 575V/60Hz					Relay	
	1089 9415 63		GA200 575V/60Hz			1900 3134 10		440-460V	
	1089 9415 83		GA250-GA315 440-460V/			1900 3134 11		575V	
			60Hz		7005	1079 9922 78	• 1	Fuse label	
1120	1089 9415 09	• 2	Contact block		7010	1088 0031 08	• 1	Male connector	
1125		• 1	Contacto		7015	1089 9168 24	• 1	Fuse	
	1089 9415 61		GA200-GA250 440-460V/		7020	1089 0612 01	• 1	Fuse holder	
			60Hz,		7025		• 1	Watch relay	
	1089 9415 61		GA200-GA250-GA315			1089 9461 03		440-460V	
			575V/60Hz			1089 9461 04		575V	
	1089 9415 62		GA315 440-460V/60Hz				• 1	Option Dryer	
1130	1089 9415 91	• 1	Mechanical interlock			1900 3134 91		GA200-GA250-GA315	
1135	1089 0362 51	• 1	Emergency stop button					440-460V/60Hz	
1140	1089 0362 58	• 1	Contact block			1901 3134 92		GA200-GA250-GA315	
1145		• 1	Trafo					575V/60Hz	
	1089 9436 09		GA200 440-460V/60Hz,			1901 3134 95		GA200 W-GA250 W-	
			GA250 440-460V/60Hz,					GA315 W 440-460V/60Hz	
			GA315 440-460V/60Hz,			1902 3134 96		GA200 W-GA250 W-	
			GA250-GA315 575V/60Hz					GA315 W 575V/60Hz	
	1089 9436 08		GA200 575V/60Hz						

Start cubicle - star/delta - Control Voltage 115/24V - CSA/UL - Full options - 2)**29**

Ref.	Part number	Qty	Name	Remarks
8005	1088 0031 10	• 1	Connector	
8010		• 1	Contactora	
	1089 9415 35		440-460V/60Hz	
	1089 9415 34		575V/60Hz	
8015		• 2	Contactora	
	1089 9415 24		Aircooled	
8020		• 1	Circuit breaker	
	1089 9416 81		440-460V/60Hz	
	1089 9416 84		575V/60Hz	
8025	1089 9416 07	• 1	Contact block	
8030		• 1	Contact block	
	1089 9416 07		Aircooled	
8035		• 1	Circuit breaker	
	1089 9416 69		GA200-GA250-GA315	
			440-460V/60Hz	
	1089 9416 68		GA200-GA250-GA315	
			575V/60Hz	
8040		• 1	Terminal block	
	1089 9416 75		Aircooled	
	1900 3134 12	1	Option HAT	
	1900 3134 13	1	Option Energy Recovery	
	1900 3134 14	1	Option DDP-Filter	
	1900 3134 15	1	Option PT1000	
	1900 3134 16	1	Option Profibus	
	1900 3134 17	1	Option Modbus	

- 2) From following serial No. onwards:
 Geldig vanaf volgend serienummer:
 Fr.o.m. tillverkningsnummer:
 Gültig ab Seriennummer:
 Valable à partir du numéro de série suivant:
 A partir del siguiente número de serie:
 Dai seguenti numeri di serie in avanti:
 Gælder fra følgende serienumre:
 A partir do número de série:
 Fra og med følgende serienummer:
 Alkaen valmistusnumerosta
 AIF-078 302

30

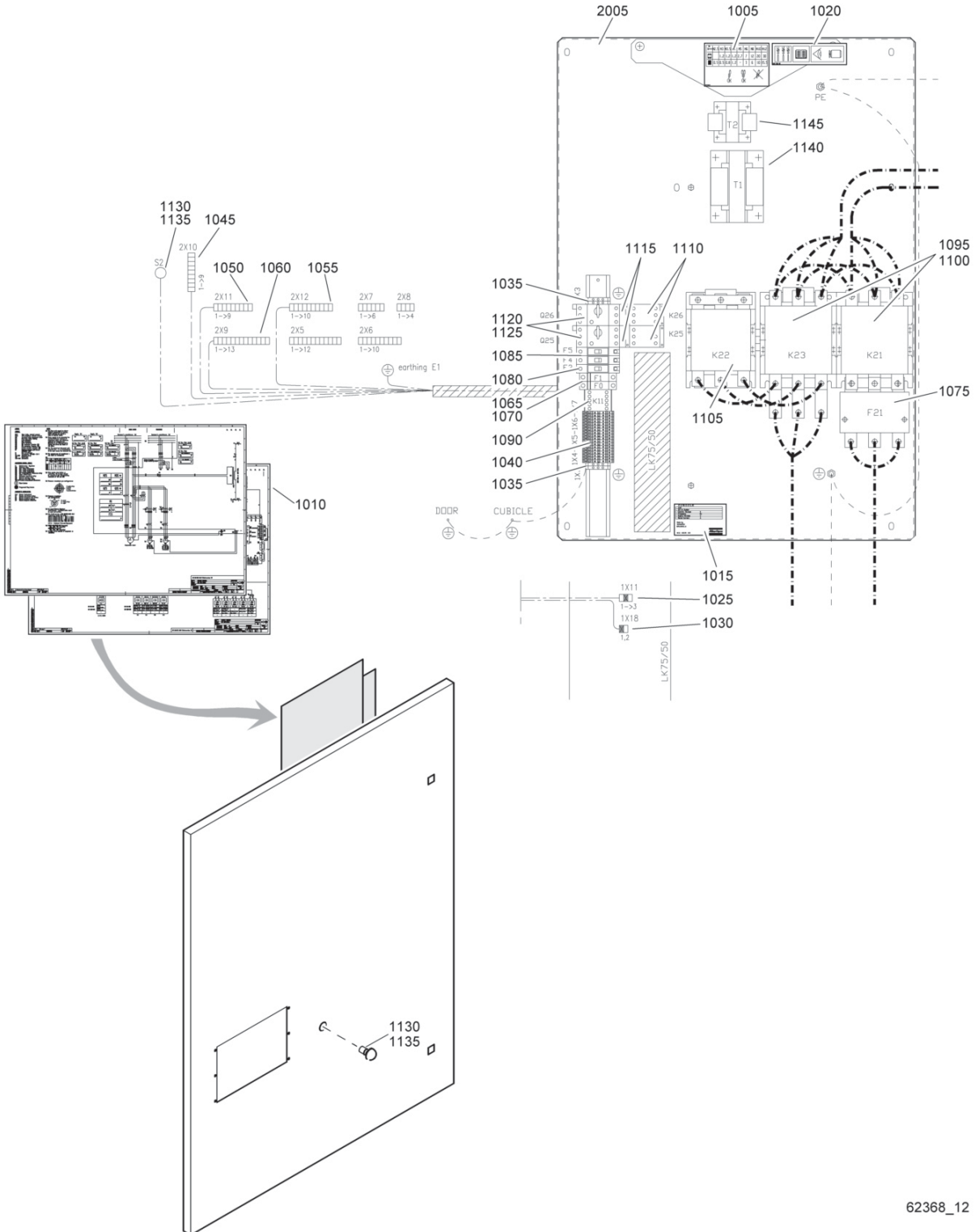


61491_12

Start cubicle - star/delta - Control Voltage 230/24V - COM 1 option only - 1)-11)**30**

Ref.	Part number	Qty	Name	Remarks	Ref.	Part number	Qty	Name	Remarks
		1	Control panel		1135	1089 9136 93	• 1	Transformer	
	1900 3103 31		GA200 400V/50Hz		1140	1614 9906 00	• 1	Mounting plate	
	1900 3103 32		GA250 400V/50Hz		1145		•	Contacteur	
	1900 3103 41		GA200 W 400V/50Hz			1089 9415 21	• 2	1)2)5)6)7)	
	1900 3103 42		GA250 W 400V/50Hz			1089 9415 11	• 1	3)4)8)9)10)	
	1900 3104 31		GA200 440-460V/60Hz		1150		•	Connection element	
	1900 3104 32		GA250 440-460V/60Hz			1089 9416 91	• 2	1)2)5)6)7)	
	1900 3104 33		GA315 440-460V/60Hz			1089 9416 06	• 1	3)4)8)9)10)	
	1900 3104 41		GA200 W 440-460V/60Hz		1155		•	Circuit breaker	
	1900 3104 42		GA250 W 440-460V/60Hz			1089 9416 70	• 2	1)2)5)6)7)	
	1900 3104 43		GA315 W 440-460V/60Hz			1089 9416 21	• 1	3)4)8)9)10)	
1010	1079 9906 09	• 1	Label		1160		•	Contact block	
1015	9823 1821 02	• 1	Label			1089 9416 07	• 2	1)2)5)6)7)	
1020	1613 6639 00	• 1	Data plate			1089 9416 07	• 1	3)4)8)9)10)	
1025	1079 9901 68	• 1	Label		1165	1088 0024 02	• 1	Connector	
1030	1089 0506 27	• 4	Terminal						
1035	1089 9398 11	• 19	Terminal		1)	GA200 400V/50Hz			
1045	1088 0024 04	• 1	Connector		2)	GA250 400V/50Hz			
1050	1088 0024 10	• 1	Connector		3)	GA200 W 400V/50Hz			
1055	1088 0024 18	• 1	Connector		4)	GA250 W 400V/50Hz			
1060	1088 0000 06	• 1	Connector		5)	GA200 440-460V/60Hz			
1065	1088 0024 02	• 1	Connector		6)	GA250 440-460V/60Hz			
1070	1089 9399 03	• 1	Overload relay		7)	GA315 440-460V/60Hz			
1075	1089 9203 11	• 1	Circuit breaker		8)	GA200 W 440-460V/60Hz			
1080	1089 9203 11	• 2	Circuit breaker		9)	GA250 W 440-460V/60Hz			
1085	1089 9388 01	• 1	Interface relay		10)	GA315 W 440-460V/60Hz			
1090	1089 9221 95	• 1	Contact block		11)	Up to serial No. :			
1095	1089 9221 96	• 2	Contacteur			Tot serienummer:			
1100		• 1	Contacteur			T.o.m. tillverkningsnummer:			
	1089 9421 11		1)3)5)8)			Bis Seriennummer:			
	1089 9221 30		2)4)			Jusqu'au numéro de série:			
	1089 9421 12		6)7)9)10)			Hasta el número de serie:			
1105		• 1	Circuit breaker			Fino al numeri di serie:			
	1089 9416 24		1)2)3)4)			Gælder til følgende serienumre:			
	1089 9416 23		5)6)7)8)9)10)			Até o número de série:			
1110	1089 0362 51	• 1	Emergency stop button			Til følgende serienummer:			
1115	1089 0362 50	• 1	Contact block			Seuraavaan valmistusnumeroon asti, No.:			
1120	1089 0362 58	• 1	Contact block			AIF-078 301			
1125	1089 9082 24	• 1	Key switch						
1130		• 1	Transformer						
	1089 9136 98		1)2)3)4)						
	1089 9436 07		5)6)7)8)9)10)						

31



62368_12

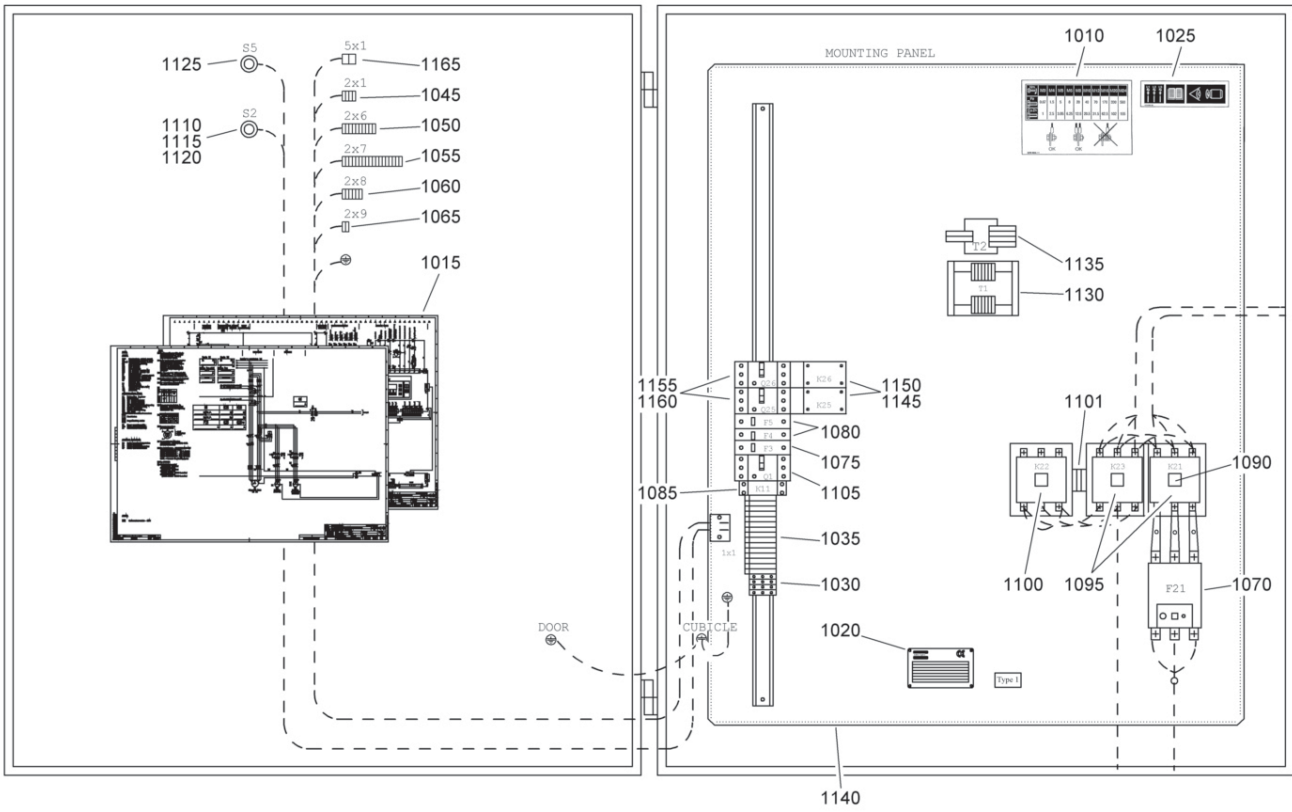
Start cubicle - star/delta - Control Voltage 230/24V - Basic parts - 2)

31

Ref.	Part number	Qty	Name	Remarks	Ref.	Part number	Qty	Name	Remarks
	1900 3132 01	1	Control panel		1100	1089 9415 09 •	2	Contact block	
	1900 3132 02		GA200 400V/50Hz		1105	1089 9415 58 •	1	Contact block	
			GA250 400V/50Hz		1110	1089 9415 21 •	2	Contact block	
1005	1079 9906 09 •	1	Label		1115	1089 9416 91 •	2	Connecting element	
1010	9823 1821 13 •	1	Label		1120	1089 9416 70 •	2	Circuit breaker	
1015	1613 6639 00 •	1	Data plate		1125	1089 9416 07 •	2	Contact block	
1020	1079 9901 68 •	1	Label		1130	1089 0362 51 •	1	Emergency stop button	
1025	1088 0031 03 •	1	Connector		1135	1089 0362 58 •	1	Contact block	
1030	1088 0031 02 •	1	Connector		1140	1089 9136 98 •	1	Trafo	
1035	1089 0506 27 •	4	Terminal		1145	1089 9136 93 •	1	Trafo	
1040	1089 9398 11 •	19	Terminal		2005	1614 9906 00 •	1	Mounting plate	
1045	1088 0031 49 •	1	Connector						
1050	1088 0031 29 •	1	Connector						
1055	1088 0031 30 •	1	Connector						
1060	1088 0031 13 •	1	Connector						
1065	1089 0612 25 •	2	Fuse						
1070	1089 0612 01 •	2	Fuse holder						
1075		1	Electrical overload relay						
	1089 9446 22		GA200						
	1089 9446 23		GA250						
1080	1089 9203 11 •	1	Circuit breaker						
1085	1089 9203 11 •	2	Circuit breaker						
1090	1089 9415 17 •	1	Contact block						
1095		2	Contact block						
	1089 9415 78		GA200						
	1089 9415 79		GA250						

2) From following serial No. onwards:
 Geldig vanaf volgend serienummer:
 Fr.o.m. tillverkningsnummer:
 Gültig ab Seriennummer:
 Valable à partir du numéro de série suivant:
 A partir del siguiente número de serie:
 Dai seguenti numeri di serie in avanti:
 Gælder fra følgende serienummer:
 A partir do número de série:
 Fra og med følgende serienummer:
 Alkaen valmistusnumerosta
 AIF-078 302

32

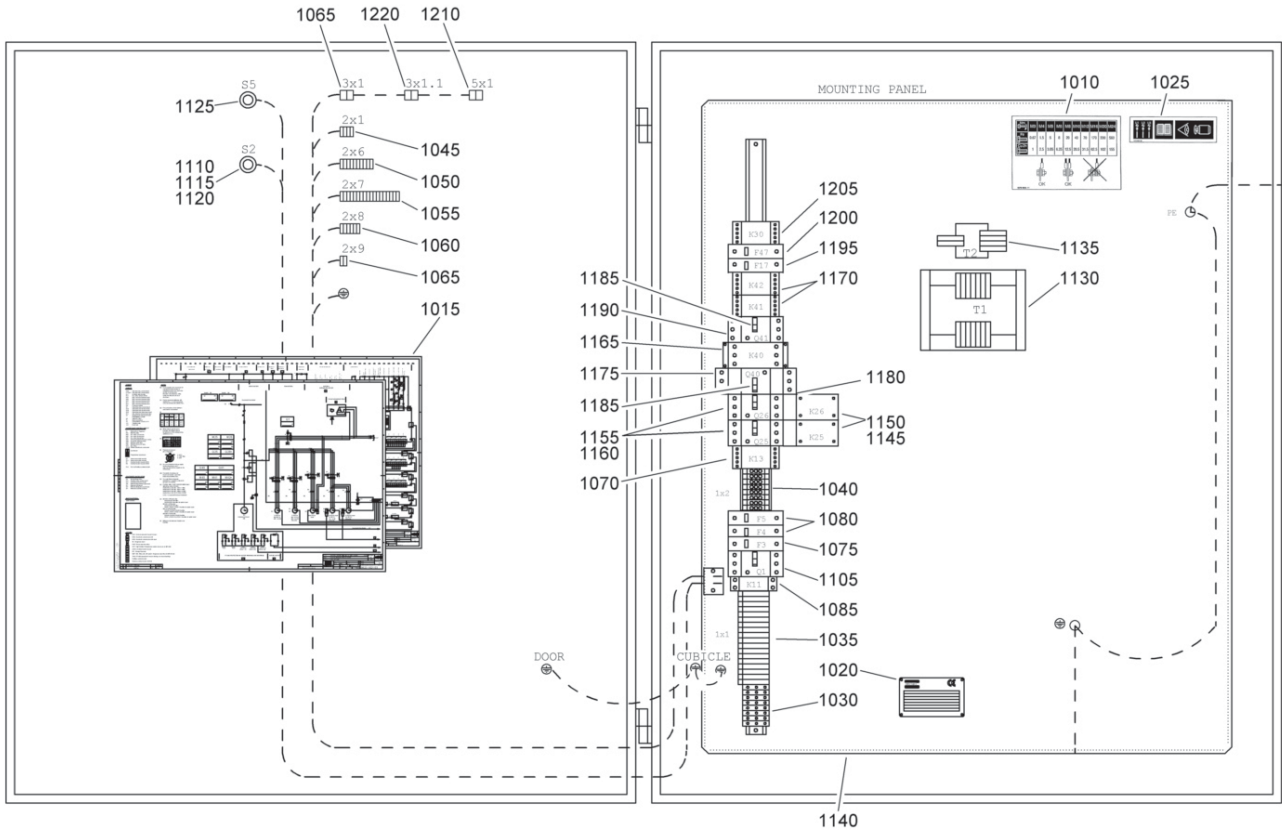


61492_12

Start cubicle - star/delta - Control Voltage 115/24V - CSA/UL - COM 1 option only - 1)-7) 32

Ref.	Part number	Qty	Name	Remarks	Ref.	Part number	Qty	Name	Remarks
		1	Control panel C,U		1130	1089 9436 09	• 1	Transformer	
	1900 3105 31		GA200 440-460V/60Hz		1135	1089 9136 27	• 1	Transformer	
	1900 3105 32		GA250 440-460V/60Hz		1140	1614 9906 00	• 1	Mounting plate	
	1900 3105 33		GA315 440-460V/60Hz		1145		•	Contactors	
	1900 3105 41		GA200 W 440-460V/60Hz			1089 9415 24	2	1)2)3)	
	1900 3105 42		GA250 W 440-460V/60Hz			1089 9415 14	1	4)5)6)	
	1900 3105 43		GA315 W 440-460V/60Hz		1150		•	Connection element	
1010	1079 9906 09	• 1	Label			1089 9416 91	2	1)2)3)	
1015	9823 1821 02	• 1	Label			1089 9416 06	1	4)5)6)	
1020	1613 3046 00	• 1	Data plate		1155		•	Circuit breaker	
1025	1079 9901 68	• 1	Label			1089 9416 70	2	1)2)3)	
1030	1089 0506 27	• 4	Terminal			1089 9416 21	1	4)5)6)	
1035	1089 9398 11	• 19	Terminal		1160		•	Contact block	
1045	1088 0024 04	• 1	Connector			1089 9416 07	2	1)2)3)	
1050	1088 0024 10	• 1	Connector			1089 9416 07	1	4)5)6)	
1055	1088 0024 18	• 1	Connector		1165	1088 0024 02	1	Connector	
1060	1088 0000 06	• 1	Connector						
1065	1088 0024 02	• 1	Connector						
1070	1089 9399 12	• 1	Overload relay						1) GA200 440-460V/60Hz
1075	1089 9203 38	• 1	Circuit breaker						2) GA250 440-460V/60Hz
1080	1089 9203 35	• 2	Circuit breaker						3) GA315 440-460V/60Hz
1085	1089 9388 01	• 1	Interface relay						4) GA200 W 440-460V/60Hz
1090	1089 9221 95	• 1	Contact block						5) GA250 W 440-460V/60Hz
1095		• 2	Contactors						6) GA315 W 440-460V/60Hz
	1089 9221 50		1)4)						7) Up to serial No. :
	1089 9221 94		2)3)5)6)						Tot serienummer:
1100		• 1	Contactors						T.o.m. tillverkningsnummer:
	1089 9221 43		1)3)4)6)						Bis Serienummer:
	1089 9221 49		2)5)						Jusqu'au numéro de série:
1101	1089 9216 03	• 1	Interlock						Hasta el número de serie:
1105	1089 9416 24	• 1	Circuit breaker						Fino al numeri di serie:
1110	1089 0362 51	• 1	Emergency stop button						Gælder til følgende serienumre:
1115	1089 0362 50	• 1	Contact block						Até o número de série:
1120	1089 0362 58	• 1	Contact block						Til følgende serienummer:
1125	1089 9082 24	• 1	Key switch						Seuraavaan valmistusnumeroon asti, No.:
									AIF-078 301

33



61518_12

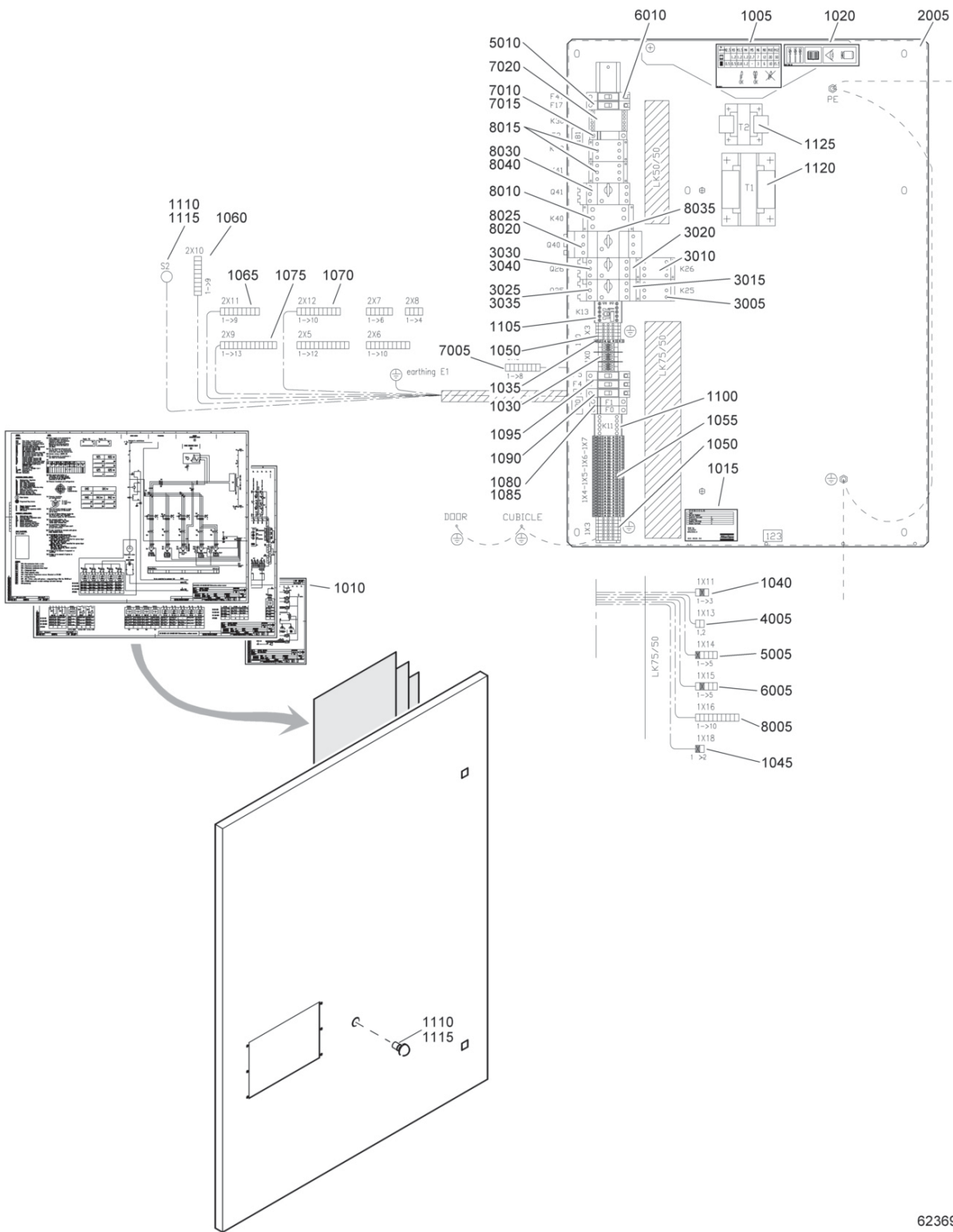
Start cubicle - without starter - Control Voltage 230/24V - Full options - 1)-11)

Ref.	Part number	Qty	Name	Remarks	Ref.	Part number	Qty	Name	Remarks
		1	Control panel		1170		2	Contactactor	
	1900 3103 01		GA200-315 50Hz			1089 9415 11		1)2)3)4)	Aircooled
	1900 3104 01		GA200-315 60Hz			1089 9415 12		5)6)7)	Aircooled
1010	1079 9906 09	• 1	Label		1175		1	Circuit breaker	
1015	9823 1821 03	• 1	Label			1089 9416 84		1)2)	
1020	1613 6639 00	• 1	Data plate			1089 9416 73		3)4)	
1025	1079 9901 68	• 1	Label			1089 9416 81		5)6)7)8)9)10)	
1030	1089 0506 27	• 10	Terminal		1180		1	Connection element	
1035	1089 9398 11	• 36	Terminal			1089 9416 91		3)4)	
1040	1089 0506 06	• 6	Terminal		1185			Contact block	
1045	1088 0024 04	• 1	Connector			1089 9416 07	2		Aircooled
1050	1088 0024 10	• 1	Connector			1089 9416 07	1		Watercooled
1055	1088 0024 18	• 1	Connector		1190		1	Circuit breaker	
1060	1088 0000 06	• 1	Connector			1089 9416 27		1)2)3)4)	Aircooled
1065	1088 0024 02	• 2	Connector			1089 9416 29		5)6)7)8)9)10)	Aircooled
1070	1089 9438 02	• 1	Relay		1195	1089 9203 23	1	Circuit breaker	
1075	1089 9203 11	• 1	Circuit breaker		1200	1089 9203 23	1	Circuit breaker	
1080	1089 9203 04	• 2	Circuit breaker		1205		1	Phase sequence relay	
1085	1089 9388 01	• 1	Interface relay			1089 9461 01		1)2)5)6)7)	
1105	1089 9416 24	• 1	Circuit breaker			1089 9461 03		3)4)8)9)10)	
1110	1089 0362 51	• 1	Emergency stop button		1210	1088 0024 02	1	Connector	
1115	1089 0362 50	• 1	Contact block		1220	1088 0024 02	1	Connector	
1120	1089 0362 58	• 1	Contact block						
1125	1089 9082 24	• 1	Key switch						
1130		• 1	Transformer		1)	GA200 400V/50Hz			
	1089 9436 07		GA200-315 50Hz		2)	GA250 400V/50Hz			
	1089 9436 08		GA200-315 60Hz		3)	GA200 500V/50Hz			
1135	1089 9436 11	• 1	Transformer		4)	GA250 500V/50Hz			
1140	1614 9906 00	• 1	Mounting plate		5)	GA200 380V/60Hz			
1145			Contactactor		6)	GA250 380V/60Hz			
	1089 9415 21	2	1)2)3)4)	Aircooled	7)	GA315 380V/60Hz			
	1089 9415 23	2	8)9)10)	Aircooled	8)	GA200 440-460V/60Hz			
	1089 9415 11	1		Watercooled	9)	GA250 440-460V/60Hz			
1150			Connection element		10)	GA315 440-460V/60Hz			
	1089 9416 91	2	1)2)3)4)8)9)10)	Aircooled	11)	Up to serial No. :			
	1089 9416 06	1		Watercooled		Tot serienummer:			
1155			Circuit breaker			T.o.m. tillverkningsnummer:			
	1089 9416 70	2	1)2)8)9)10)	Aircooled		Bis Seriennummer:			
	1089 9416 69	2	3)4)	Aircooled		Jusqu'au numéro de série:			
	1089 9416 21	1	1)2)5)6)7)	Watercooled		Hasta el número de serie:			
	1089 9416 20	1	3)4)8)9)10)	Watercooled		Fino al numeri di serie:			
1160			Contact block			Gælder til følgende serienumre:			
	1089 9416 07	2	1)2)3)4)8)9)10)	Aircooled		Até o número de série:			
	1089 9416 07	1		Watercooled		Til følgende serienummer:			
1165		1	Contactactor			Seuraavaan valmistusnumeroon asti, No.:			
	1089 9415 31		1)2)			AIF-078 301			
	1089 9415 23		3)4)						
	1089 9415 32		5)6)7)8)9)10)						

Start cubicle - without starter - Control Voltage 230/24V - Full options - 2)

Ref.	Part number	Qty	Name	Remarks	Ref.	Part number	Qty	Name	Remarks
	1900 3130 01	1	Control panel		3010		• 1	Contactors	
			GA200-315 50/60Hz			1089 9415 21		GA200-GA250-GA315	
1005	1079 9906 09	• 1	Label					380-415V/50Hz,	
1010	9823 1821 12	• 1	Label					GA200-GA250-GA315	
1015	1613 6639 00	• 1	Data plate					380V/60Hz,	
1020	1079 9901 68	• 1	Label					GA200-GA250-GA315	
1030	1089 0506 06	• 6	Terminal					440-460V/60Hz	
1035	1089 9398 12	• 1	Terminal			1089 9415 13		GA200-GA250-GA315	
1040	1088 0031 03	• 1	Connector					500V/50Hz	
1045	1088 0031 02	• 1	Connector		3015		• 1	Connecting element	
1050	1089 0506 27	• 11	Terminal			1089 9416 91		GA200-GA250-GA315	
1055	1089 9398 11	• 30	Terminal					380-415V/50Hz,	
1060	1088 0031 49	• 1	Connector					GA200-GA250-GA315	
1065	1088 0031 29	• 1	Connector					380V/60Hz,	
1070	1088 0031 30	• 1	Connector					GA200-GA250-GA315	
1075	1088 0031 13	• 1	Connector					440-460V/60Hz	
1080	1089 0612 25	• 2	Fuse			1089 9416 06		GA200-GA250-GA315	
1085	1089 0612 01	• 2	Fuse holder					500V/50Hz,	
1090	1089 9203 11	• 1	Circuit breaker					GA200 W-GA250 W-	
1095	1089 9203 11	• 2	Circuit breaker					GA315 W 380-415V/50Hz,	
1100	1089 9415 17	• 1	Contactors					GA200 W-GA250 W-	
1105	1089 9438 02	• 1	Relay					GA315 W 380V/60Hz,	
1110	1089 0362 51	• 1	Emergency stop button					GA200 W-GA250 W-	
1115	1089 0362 58	• 1	Contact block					GA315 W 500V/50Hz,	
1120	1089 9436 07	• 1	Trafo					GA200 W-GA250 W-	
1125	1089 9136 93	• 1	Trafo					GA315 W 440-460V/60Hz	
2005	1614 9906 00	• 1	Mounting plate		3020		• 1	Connecting element	
	1900 3133 40	1	Option Fan			1089 9416 91		GA200-GA250-GA315	
			GA200-GA250-GA315 380-					380-415V/50Hz,	
			415V/50Hz,					GA200-GA250-GA315	
			GA200-GA250-GA315 380V/					380V/60Hz,	
			60Hz,					GA200-GA250-GA315	
			GA200-GA250-GA315 440-					440-460V/60Hz	
			460V/60Hz			1089 9416 06		GA200-GA250-GA315	
	1900 3133 41		GA200-GA250-GA315 500V/					500V/50Hz	
			50Hz		3025		• 1	Circuit breaker	
	1900 3133 50		GA200 W-GA250 W-GA315			1089 9416 70		GA200-GA250-GA315	
			W 380-415V/50Hz,					380-415V/50Hz,	
			GA200 W-GA250 W-GA315					GA200-GA250-GA315	
			W 380V/60Hz					380V/60Hz,	
	1900 3133 51		GA200 W-GA250 W-GA315					GA200-GA250-GA315	
			W 500V/50Hz,					440-460V/60Hz	
			GA200 W-GA250 W-GA315			1089 9416 29		GA200-GA250-GA315	
			W 440-460V/60Hz					500V/50Hz	
3005	• 1089 9415 21	• 1	Contactors			1089 9416 21		GA200 W-GA250 W-	
			GA200-GA250-GA315 380-					GA315 W 380-415V/50Hz,	
			415V/50Hz,					GA200 W-GA250 W-	
			GA200-GA250-GA315 380V/					GA315 W 380V/60Hz	
			60Hz,					GA200 W-GA250 W-	
			GA200-GA250-GA315 440-			1089 9416 20		GA315 W 500V/50Hz,	
			460V/60Hz					GA200 W-GA250 W-	
	1089 9415 13		GA200-GA250-GA315 500V/					GA315 W 440-460V/60Hz	
			50Hz		3030		• 1	Circuit breaker	
	1089 9415 11		GA200 W-GA250 W-GA315			1089 9416 70		GA200-GA250-GA315	
			W 380-415V/50Hz,					380-415V/50Hz,	
			GA200 W-GA250 W-GA315					GA200-GA250-GA315	
			W 380V/60Hz,					380V/60Hz,	
			GA200 W-GA250 W-GA315					GA200-GA250-GA315	
			W 500V/50Hz,					440-460V/60Hz	
			GA200 W-GA250 W-GA315			1089 9416 29		GA200-GA250-GA315	
			W 440-460V/60Hz					500V/50Hz	
					3035	1089 9416 07	• 1	Contact block	

34

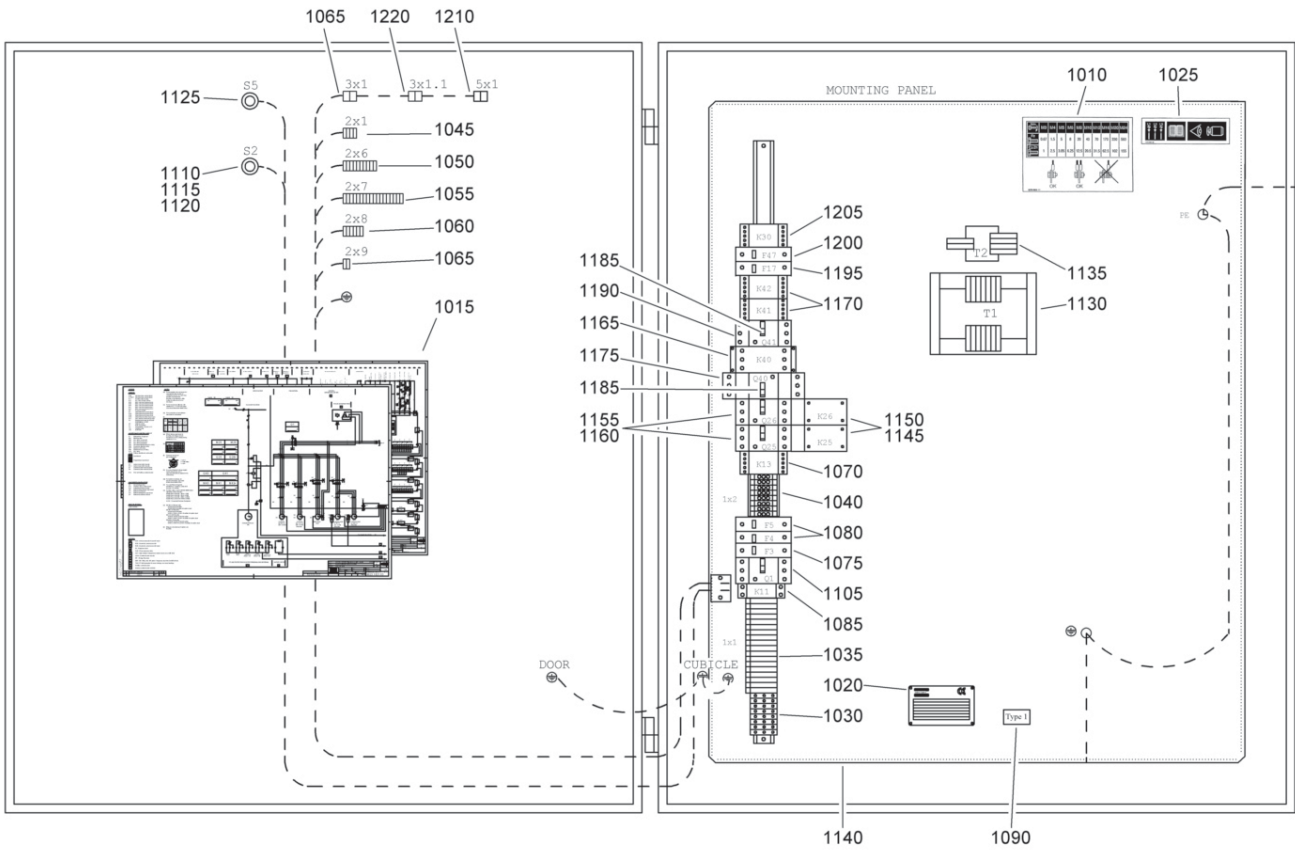


62369_12

Start cubicle - without starter - Control Voltage 230/24V - Full options - 2)

Ref.	Part number	Qty	Name	Remarks	Ref.	Part number	Qty	Name	Remarks
3040	1089 9416 07	• 1	Contact block GA200-GA250-GA315 380-415V/50Hz, GA200-GA250-GA315 380V/60Hz, GA200-GA250-GA315 440-460V/60Hz, GA200-GA250-GA315 500V/50Hz		8025	1089 9416 07	• 1	Contact block	
					8030	1089 9416 07	• 1	Contact block GA200-GA250 400V/50Hz, GA200-GA250 500V/50Hz, GA200-GA250-GA315 460V/60Hz	
	1900 3134 01	1	Option Motor Heater		8035	1089 9416 91	• 1	Connecting element GA200(W)-GA250(W) 500V/50Hz	
4005	1088 0031 02	• 1	Connector		8040	1089 9416 27	• 1	Circuit breaker GA200-GA250 400V/50Hz, GA200-GA250 500V/50Hz	
	1900 3134 02	1	Option Condensate Drain			1089 9416 29		GA200-GA250-GA315 460V/60Hz	
5005	1088 0031 05	• 1	Connector			1900 3134 12	1	Option HAT	
5010	1089 9203 31	• 1	Circuit breaker			1900 3134 13	1	Option Energy Recovery	
	1900 3134 03	1	Option Condensate Drain Dryer			1900 3134 14	1	Option DDP-Filter	
6005	1088 0031 05	• 1	Connector			1900 3134 15	1	Option PT1000	
6010	1089 9203 31	• 1	Circuit breaker			1900 3134 16	1	Option Profibus	
		1	Option Phase Sequence Relay			1900 3134 17	1	Option Modbus	
	1900 3134 08		400V		2) From following serial No. onwards: Geldig vanaf volgend serienummer: Fr.o.m. tillverkningsnummer: Gültig ab Seriennummer: Valable à partir du numéro de série suivant: A partir del siguiente número de serie: Dai seguenti numeri di serie in avanti: Gælder fra følgende serienumre: A partir do número de série: Fra og med følgende serienummer: Alkaen valmistusnumerosta AIF-078 302				
	1900 3134 09		500V						
7005	1088 0031 08	• 1	Connector						
7010	1089 0612 24	• 1	Fuse						
7015	1089 0612 01	• 1	Fuse holder						
7020	1089 9461 01	• 1	Phase sequence relay 400V						
	1089 9461 03	• 1	500V						
	1900 3134 71	1	Option Dryer GA200-GA250 400V/50Hz						
	1901 3134 72	1	GA200-GA250 500V/50Hz						
	1901 3134 73	1	GA200-GA250-GA315 460V/60Hz						
	1902 3134 81	1	GA200 W-GA250 W 400V/ 50Hz						
	1902 3134 82	1	GA200 W-GA250 W 500V/ 50Hz						
	1903 3134 83	1	GA200 W-GA250 W- GA315 W 380V/60Hz, GA200 W-GA250 W- GA315 W 460V/60Hz						
8005	1088 0031 10	• 1	Connector						
8010	1089 9415 31	• 1	Contacto GA200(W)-GA250(W) 400V/50Hz						
	1089 9415 23		GA200(W)-GA250(W) 500V/50Hz						
	1089 9415 32		GA200 W-GA250 W- GA315 W 380V/60Hz, GA200(W)-GA250(W)- GA315(W) 460V/60Hz						
8015	1089 9415 11	• 2	Contacto GA200-GA250 400V/50Hz, GA200-GA250 500V/50Hz						
	1089 9415 13		GA200-GA250-GA315 460V/60Hz						
8020	1089 9416 84	• 1	Circuit breaker GA200(W)-GA250(W) 400V/50Hz						
	1089 9416 73		GA200(W)-GA250(W) 500V/50Hz						
	1089 9416 81		GA200 W-GA250 W- GA315 W 380V/60Hz, GA200(W)-GA250(W)- GA315(W) 460V/60Hz						

35



61519_12

Start cubicle, without starter - Control Voltage 115/24V - CSA/UL - Full options - 1-7)

Ref.	Part number	Qty	Name	Remarks	Ref.	Part number	Qty	Name	Remarks
	1900 3105 01	1	Control panel C,U		1165		1	Contactor	
			GA200-315 60Hz			1089 9415 35		1)2)3)	
1010	1079 9906 09	• 1	Label			1089 9415 34		4)5)6)	
1015	9823 1821 03	• 1	Label		1170	1089 9415 14	2	Contactor	Aircooled
1020	1613 3046 00	• 1	Data plate		1175		1	Circuit breaker	
1025	1079 9901 68	• 1	Label			1089 9416 81		1)2)3)	
1030	1089 0506 27	• 10	Terminal			1089 9416 84		4)5)6)	
1035	1089 9398 11	• 36	Terminal		1185			Contact block	
1040	1089 0506 06	• 6	Terminal			1089 9416 07	2		Aircooled
1045	1088 0024 04	• 1	Connector			1089 9416 07	1		Watercooled
1050	1088 0024 10	• 1	Connector		1190		1	Circuit breaker	
1055	1088 0024 18	• 1	Connector			1089 9416 69		1)2)3)	Aircooled
1060	1088 0000 06	• 1	Connector			1089 9416 68		4)5)6)	Aircooled
1065	1088 0024 02	• 2	Connector		1195	1089 9203 31	1	Circuit breaker	
1070	1089 9438 03	• 1	Relay		1200	1089 9203 31	1	Circuit breaker	
1075	1089 9203 38	• 1	Circuit breaker		1205		1	Phase sequence relay	
1080	1089 9203 36	• 2	Circuit breaker			1089 9461 03		1)2)3)	
1085	1089 9388 01	• 1	Interface relay			1089 9461 04		4)5)6)	
1090	1079 9911 01	• 1	Label		1210	1088 0024 02	1	Connector	
1105	1089 9416 24	• 1	Circuit breaker		1220	1088 0024 02	1	Connector	
1110	1089 0362 51	• 1	Emergency stop button						
1115	1089 0362 50	• 1	Contact block						
1120	1089 0362 58	• 1	Contact block						
1125	1089 9082 24	• 1	Key switch						
1130	1089 9436 09	• 1	Transformer						
1135	1089 9436 11	• 1	Transformer						
1140	1614 9906 00	• 1	Mounting plate						
1145			Contactor						
	1089 9415 24	2		Aircooled					
	1089 9415 14	1		Watercooled					
1150			Connection element						
	1089 9416 91	2		Aircooled					
	1089 9416 06	1		Watercooled					
1155			Circuit breaker						
	1089 9416 70	2	1)2)3)	Aircooled					
	1089 9416 69	2	4)5)6)	Aircooled					
	1089 9416 21	1	1)2)3)	Watercooled					
	1089 9416 20	1	4)5)6)	Watercooled					
1160			Contact block						
	1089 9416 07	2		Aircooled					
	1089 9416 07	1		Watercooled					

- 1) GA200 440-460V/60Hz
- 2) GA250 440-460V/60Hz
- 3) GA315 440-460V/60Hz
- 4) GA200 575V/60Hz
- 5) GA250 575V/60Hz
- 6) GA315 575V/60Hz
- 7) Up to serial No. :
 Tot serienummer:
 T.o.m. tillverkningsnummer:
 Bis Seriennummer:
 Jusqu'au numéro de série:
 Hasta el número de serie:
 Fino al numeri di serie:
 Gælder til følgende serienumre:
 Até o número de série:
 Til følgende serienummer:
 Seuraavaan valmistusnumeroon asti, No.:
 AIF-078 301

Start cubicle, without starter - Control Voltage 115/24V - CSA/UL Full options - 2) 36

Ref.	Part number	Qty	Name	Remarks	Ref.	Part number	Qty	Name	Remarks
		1	Control panel C,U			1900 3134 02	1	Option Condensate Drain	
	1900 3131 01		GA200-315 60Hz		5005	1088 0031 05	• 1	Connector	
1005	1079 9906 09	• 1	Label		5010	1089 9203 31	• 1	Circuit breaker	
1010	9823 1821 12	• 1	Label			1900 3134 03	1	Option Condensate Drain Dryer	
1015	1614 8949 00	• 1	Data plate		6005	1088 0031 05	• 1	Connector	
1020	1079 9901 68	• 1	Label		6010	1089 9203 31	• 1	Circuit breaker	
1025	1079 9922 74	• 1	Fuselabel				1	Option Phase Sequence Relay	
1030	1089 0506 06	• 6	Terminal			1900 3134 10		440-460V	
1035	1089 9398 12	• 1	Terminal			1900 3134 11		575V	
1040	1088 0031 03	• 1	Connector		7005	1079 9922 78	• 1	Fuselabel	
1045	1088 0031 02	• 1	Connector		7010	1088 0031 08	• 1	Male connector	
1050	1089 0506 27	• 11	Terminal		7015	1089 9168 24	• 1	Fuse	
1055	1089 9398 11	• 30	Terminal		7020	1089 0612 01	• 1	Fuse holder	
1060	1088 0031 49	• 1	Connector		7025		• 1	Watch relay	
1065	1088 0031 29	• 1	Connector			1089 9461 03		440-460V	
1070	1088 0031 30	• 1	Connector			1089 9461 04		575V	
1075	1088 0031 13	• 1	Connector				1	Option Dryer	
1080	1089 9168 27	• 2	Fuse			1900 3134 91		GA200-GA250-GA315	
1085	1089 0612 01	• 2	Fuse holder					440-460V/60Hz	
1090	1089 9203 38	• 1	Circuit breaker			1901 3134 92		GA200-GA250-GA315	
1095	1089 9203 36	• 2	Circuit breaker					575V/60Hz	
1100	1089 9415 17	• 1	Contact			1901 3134 95		GA200 W-GA250 W-	
1105	1089 9438 03	• 1	Relay					GA315 W 440-460V/60Hz	
1110	1089 0362 51	• 1	Emergency stop button			1902 3134 96		GA200 W-GA250 W-	
1115	1089 0362 58	• 1	Contact block					GA315 W 575V/60Hz	
1120	1089 9436 09	• 1	Trafo		8005	1088 0031 10	• 1	Connector	
1125	1089 9436 11	• 1	Trafo		8010		• 1	Contact	
2005	1614 9906 00	• 1	Mounting plate			1089 9415 35		440-460V/60Hz	
		1	Option Fan			1089 9415 34		575V/60Hz	
	1900 3133 60		GA200-GA250-GA315		8015		• 2	Contact	
			440-460V/60Hz			1089 9415 24		Aircooled	
	1900 3133 61		GA200-GA250-GA315		8020		• 1	Circuit breaker	
			575V/60Hz			1089 9416 81		440-460V/60Hz	
	1900 3133 70		GA200 W-GA250 W-			1089 9416 84		575V/60Hz	
			GA315 W 440-460V/60Hz		8025	1089 9416 07	• 1	Contact block	
	1900 3133 71		GA200 W-GA250 W-		8030		• 1	Contact block	
			GA315 W 575V/60Hz			1089 9416 07		Aircooled	
3005	1089 9415 24	• 1	Contact		8035		• 1	Circuit breaker	
3010		• 1	Contact			1089 9416 69		GA200-GA250-GA315	
	1089 9415 24		Aircooled					440-460V/60Hz	
3015	1089 9416 91	• 1	Connecting element			1089 9416 68		GA200-GA250-GA315	
3020		• 1	Connecting element					575V/60Hz	
	1089 9416 91		Aircooled		8040		• 1	Terminal block	
3025		• 1	Circuit breaker			1089 9416 75		Aircooled	
	1089 9416 70		GA200-GA250-GA315			1900 3134 12	1	Option HAT	
			440-460V/60Hz			1900 3134 13	1	Option Energy Recovery	
	1089 9416 69		GA200-GA250-GA315			1900 3134 14	1	Option DDP-Filter	
			575V/60Hz			1900 3134 15	1	Option PT1000	
	1089 9416 61		GA200 W-GA250 W-			1900 3134 16	1	Option Profibus	
			GA315 W 440-460V/60Hz			1900 3134 17	1	Option Modbus	
	1089 9416 60		GA200 W-GA250 W-						
			GA315 W 575V/60Hz						
3030		• 1	Circuit breaker		2)				From following serial No. onwards:
	1089 9416 70		GA200-GA250-GA315						Geldig vanaf volgend serienummer:
			440-460V/60Hz						Fr.o.m. tillverkningsnummer:
	1089 9416 69		GA200-GA250-GA315						Gültig ab Seriennummer:
			575V/60Hz						Valable à partir du numéro de série suivant:
3035	1089 9416 07	• 1	Contact block						A partir del siguiente número de serie:
3040		• 1	Contact block						Dai seguenti numeri di serie in avanti:
	1089 9416 07		Aircooled						Gælder fra følgende serienumre:
3045	1089 9416 75	• 1	Terminal block						A partir do número de série:
3050		• 1	Terminal block						Fra og med følgende serienummer:
	1089 9416 75		Aircooled						Alkaen valmistusnumerosta
									AIF-078 302
4005	1900 3134 01	1	Option Motor Heater						
	1088 0031 02	• 1	Connector						

37

Service kits

Ref.	Part number	Qty	Name	Remarks	Ref.	Part number	Qty	Name	Remarks
	2906 0093 00	2	Check valve kit			2906 0201 00	1	Min. pressure valve kit	
	0661 1000 25 •	1	Seal washer			0663 2106 58 •	1	O-ring	
	0663 2106 18 •	1	O-ring			1614 7279 00 •	1	Washer	
	0663 2106 20 •	1	O-ring			1619 6199 00 •	1	Seal ring	
	2254 5324 00 •	1	Check valve			2254 9215 00 •	1	Lockplate	
	2254 8075 00 •	1	Spring						
	2906 0094 00	2	Oil stop valve kit			2906 0563 00	2	Unloading valve kit	
	0661 1000 25 •	1	Seal washer			0663 2109 71 •	2	O-ring	
	0663 2106 11 •	2	O-ring (2 for GA 90/315 old)			0663 2109 73 •	2	O-ring	
	0663 2106 12 •	1	O-ring			0663 9868 00 •	1	O-ring	
	0663 2106 15 •	1	O-ring			2906 6021 00 •	1	Regeneration valve assy	
	0663 2108 12 •	1	O-ring			1614 9156 00 •	1	Spring	
	0663 2109 68 •	1	O-ring			1619 6142 00 •	1	Sealring	
	2254 9868 00 •	1	Spring			1619 6143 00 •	1	Sealring	
	2906 0186 00	1	Compressor element overhaul kit			2906 0566 00	1	Cooler kit	
	0211 1407 00 •	6	Cap screw			0663 2106 15 •	1	O-ring	
	0508 2115 01 •	2	Roller bearing			0663 2106 17 •	1	O-ring	
	0653 1124 00 •	2	Flat gasket			0663 2106 19 •	1	O-ring	
	0663 7131 00 •	1	O-ring			0663 2109 68 •	4	O-ring	
	0663 7154 00 •	2	O-ring			2906 0567 00	1	Cooler kit	
	1079 5081 05 •	2	Bearing			0634 1000 49 •	2	Gasket	
	1616 5380 00 •	2	Wave spring			0663 2106 17 •	2	O-ring	
	1616 5603 70 •	2	Spacer			0663 2109 68 •	2	O-ring	
	1616 6446 00 •	1	Gasket			2906 0572 00	1	Kit for flexmaster joint on waterseparator	
	2906 0199 00	1	Oil filter kit for max 10 bar(e)/150 psig			0291 1114 00 •	2	Locknut	
	0653 1046 00 •	1	Flat gasket			0300 0276 03 •	4	Washer	
	0653 1100 00 •	1	Flat gasket			1614 9064 00 •	2	Rubber joint	
	0661 1000 25 •	6	Seal washer (oil drainage)			1614 8926 00 •	4	Absorber	
	0661 1000 27 •	3	Seal washer gear casing (oil drain)			2906 0578 00	1	Seal washer kit	
	0661 1000 29 •	1	Seal washer (oil drainage)			0653 0500 08 •	3	Flat gasket	
	0661 1000 31 •	1	Seal washer			0653 1046 00 •	3	Flat gasket	
	1614 7273 99 •	3	Oil filter element			0653 1062 00 •	12	Flat gasket	
	2906 0200 00	1	Air/oil filter kit for max. 10 bar(e)/150 psig			0653 1100 00 •	3	Flat gasket	
	0653 1046 00 •	1	Flat gasket			0653 1124 00 •	3	Flat gasket	
	0653 1100 00 •	1	Flat gasket			0653 1165 00 •	3	Flat gasket	
	0661 1000 25 •	6	Seal washer (oil drainage)			0653 1189 00 •	3	Flat gasket	
	0661 1000 27 •	3	Seal washer gear casing (oil drain)			0653 1227 00 •	3	Flat gasket	
	0661 1000 29 •	1	Seal washer (oil drainage)			0653 9078 00 •	3	Flat gasket	
	0661 1000 31 •	1	Seal washer			0661 1000 25 •	9	Seal ring	
	1621 0547 99 •	2	Air filter element			0661 1000 27 •	12	Seal ring	
	1614 7273 99 •	3	Oil filter element			0661 1000 29 •	6	Seal ring	
						0661 1000 30 •	3	Seal ring	
						0661 1000 31 •	3	Seal ring	
						0661 1000 32 •	3	Seal ring	
						0661 1000 36 •	3	Seal ring	

Ref.	Part number	Qty	Name	Remarks	Ref.	Part number	Qty	Name	Remarks
	2906 0586 00	1	Oil filter kit for 13 bar(e)/200 psig			2906 0591 00	2	Kit for flexmaster joint on oilseparator,outletpipe	
	0661 1000 25	• 6	Seal washer (oil drainage)		0291 1114 00	• 2	Locknut		
	0661 1000 27	• 1	Seal washer gear casing (oil drain)		0306 2000 10	• 4	Washer		
	0661 1000 29	• 1	Seal washer (oil drainage)		1614 8926 00	• 4	Absorber		
	1614 8065 99	• 3	Oil filter element		1614 9513 00	• 2	Seal		
	2906 0587 00	1	Air/oil filter kit for 13 bar(e)/200 psig			2906 0753 00	1	Oil separator kit	
	0661 1000 25	• 6	Seal washer (oil drainage)		0663 2106 19	• 1	O-ring		
	0661 1000 27	• 1	Seal washer gear casing (oil drain)		0663 2109 45	• 2	O-ring		
	0661 1000 29	• 1	Seal washer (oil drainage)		1621 9386 99	• 1	Oil separator element		
	1621 0547 99	• 2	Air filter element		2906 0591 00	• 1	Flexmaster joint kit		
	1614 8065 99	• 3	Oil filter element			2906 0592 00	1	4000 h maintenance kit	
					0661 1000 25	• 2	Seal washer check valve		
					0663 2106 18	• 2	O-ring check valve		
					0663 2106 20	• 2	O-ring check valve		
					2254 8075 00	• 2	Spring check valve		
					2901 0749 00	• 1	Drain valve kit		
					2906 0094 00	• 2	Oil stop valve kit		
					2906 0200 00	• 1	Air/oil filter kit		
					2906 0201 00	• 1	Min.pressure valve kit		
						2906 0757 00	1	8000 h maintenance kit	
					0663 2107 77	• 1	O-ring oil filter housing		
					1619 7560 00	• 1	Thermostatic valve for 7.5-10 bar(e)		
					2901 0749 00	• 1	Drain valve kit		
					2906 0093 00	• 2	Check valve kit		
					2906 0094 00	• 2	Oil stop valve kit		
					2906 0200 00	• 1	Air/oil filter kit		
					2906 0201 00	• 1	Min. press valve kit		
					2906 0563 00	• 2	Unloading valve kit		
					2906 0753 00	• 1	Oil separator kit		
					2906 0591 00	• 1	Flexmaster joint kit		
	2906 0589 00	1	Exchange element installation kit						
	0211 1409 00	• 3	Cap screw driven gear						
	0337 6074 00	• 1	Key driven gear						
	0663 2106 15	• 1	O-ring						
	0663 2106 20	• 1	O-ring						
	0663 2108 12	• 1	O-ring						
	0663 2109 71	• 2	O-ring						
	0663 2109 73	• 3	O-ring						
	1616 5551 00	• 1	Gasket						
	2906 0590 00	1	Gearbox overhaul kit						
	0211 1407 00	• 10	Cap screw						
	0506 0100 08	• 1	Bearing						
	0506 2109 00	• 1	Bearing						
	0663 2107 76	• 1	O-ring						
	0663 2108 28	• 1	O-ring						
	1621 4840 00	• 1	Seal						
	1616 5519 00	• 1	Bushing						

Atlas Copco Stationary Air Compressors

GA 200, GA 250, GA 315 60 Hz

GA 200 W, GA 250 W, GA 315 W 60 Hz

Parts list

What sets Atlas Copco apart as a company is our conviction that we can only excel in what we do if we provide the best possible know-how and technology to really help our customers produce, grow and succeed.

There is a unique way of achieving that - we simply call it the Atlas Copco way. It builds on **interaction**, on long-term relationships and involvement in the customers' process, needs and objectives. It means having the flexibility to adapt to the diverse demands of the people we cater for.

It's the **commitment** to our customers' business that drives our effort towards increasing their productivity through better solutions. It starts with fully supporting existing products and continuously doing things better, but it goes much further, creating advances in technology through **innovation**. Not for the sake of technology, but for the sake of our customer's bottom line and peace-of-mind.

That is how Atlas Copco will strive to remain the first choice, to succeed in attracting new business and to maintain our position as the industry leader.

