

Specificații tehnice

Numărul procedurii de achiziție ocds-b3wdp1-MD-1654004630548 din 02 06 2022

Obiectul achiziției: Sisteme video de supraveghere

Cod CPV	Denumirea bunurilor	Modelul articolului	Țara de origine	Producătorul	Specificarea tehnică deplină solicitată de către autoritatea contractantă	Specificarea tehnică deplină propusă de către ofertant	Standarde de referință
1	2	3	4	5	6	7	8
1	Cameră IP interior 4 MP DI-340IPS-28	DI-340IPS-28	Israel	Provision ISR	Conform Caiet de sarcini	Cameră IP de interior 4 MP seria SSIGHT V2 (NOU), CMOS 1/2.9" 1920X1080 (2MP), F = 2.8MM (107°), LED IR 20m, H.265 / H.264 / MJPEG, 30 FPS @ 4MP 2560x1440 /25FPS, CARD SD de până la 128GB, WDR DIGITAL, 12V, POE, IP67, dom 30°C ~ 60°C, senzor CMOS 1/2.9", obiectiv F/2 2.8 mm, iluminare de la 0.1 lx, LED IR, interfață carduri de memorie microSD microfon incorporat	
2	Cameră IP de exterior 4 MP I2-340IPS-28	I2-340IPS-28	Israel	Provision ISR	Conform Caiet de sarcini	Cameră IP de exterior 4 MP seria SSIGHT V2 (NOU), CMOS 1/2.9" 1920X1080 (2MP), F = 2.8MM (107°), LED IR 20m, H.265 / H.264 / MJPEG, 30 FPS @ 4MP 2560x1440 /25FPS, CARD SD de până la 128GB, WDR DIGITAL, 12V, POE, IP67, dom 30°C ~ 60°C, senzor CMOS 1/2.9", obiectiv F/2 2.8 mm, iluminare de la 0.1 lx, LED IR, interfață carduri de memorie microSD cu fir	
3	Registrator 16 ch NVR8-16400FA(1U)	NVR8-16400A(1U)	Israel	Provision ISR	Conform Caiet de sarcini	16CH 8MP NVR8 cu alarmă Intrare: 16CH (prin rețea) • Ieșire: HDMI (4K) / 1080P / 1280x1024 / 1024x768 • Rezoluție de înregistrare - până la 8 megapixeli • Carcasă 1U, 2 HDD • Intrare/ieșire audio • Intrare/ieșire alarmă : Conexiune standard cu 16 canale (1 rețea RJ-45) Suport Ieșire: HDMI: 1920x1080 (1080P) / 4K, 1280x1024, 1024x768 Lățime de bandă: Intrare: 112 Mbps Ieșire: 112 Mbps Suport Ecocoding: H.264 / H.264 timp 16 canale 8 MP sau sub FPS: 400 (PAL) / 480 (NTSC) Redare: 16 canale simultan Audio: audio bidirecțional Intrare: 1 canal pe dispozitiv (RCA) și intrări pentru cameră IP Ieșire: 1 canal per dispozitiv (RCA) Alarmă: intrare : 4 per dispozitiv + dependent de cameră Ieșire: 1 per dispozitiv + dependent de cameră Stocare: 2 porturi SATA (până la 8TB) Port USB: 2 porturi USB2.0 Rețea: RJ -45: 1000 Mbps	
4	3.5" HDD 1.0TB-SATA 256MB Western Digital "Blue (WD40EZZA)	WD10EZZA	China	Western Digital	Conform Caiet de sarcini	Viteza axului 5400 RPM Tip unitate HDD (Spindle Drive) Capacitate de memorie 4 TB seria WD Blue™ Sistem de stocare 3,5" Dimensiune memorie tampon (cache) 256 MB Interfață unitate SATA-3 (6 Gb/s)	

5	Monitor 27" PHILIPS 271V8L, Black	27" PHILIPS 271V8L	China	PHILIPS	Conform Caiet de sarcini	27" PHILIPS 271V8L, Black, VA, 1920x1080, 75Hz, AdaptiveSync ,4ms, 250cd,MegaDCR,D-Sub+HDMI+AudioOut	
6	Sursa alimentare 8 ch	PR-5A8CH-B	Israel	Provision ISR	Conform Caiet de sarcini	Sursă de alimentare 8CH cu baterie DC12V • 5 Amp	
7	Cablu UTP Cat.5	LSS Outdoor FTP cu TROS	China	Lanitron	Conform Caiet de sarcini	LSS Indoor UTP , Solid, cat 5E 4x2x0,50, 24AWG cooper, PE,	
8	Cablu FTP cu tros Cat.5	LSS Outdoor FTP cu TROS	China	Lanitron	Conform Caiet de sarcini	LSS Outdoor FTP cu TROS, Solid, cat 5E 4x2x0,50, 24AWG cooper, PE, negru	
9	Cablu Canal 20*10	20*10	China	Lanitron	Conform Caiet de sarcini	Cablu canal 20*10 plastic alb	
10	Conector RJ 45 ecranat cat 5e	RJ45 STP 8P8C 50"	China	Lanitron	Conform Caiet de sarcini	RJ45 STP 8P8C 50" solid	
11	Conector 12 V	Pictail 12 V	China	Lanitron	Conform Caiet de sarcini	Conector 12 V	
12	Doză de conexiune pătrată 100*100*50	Doza 100*100*50	China	Courbi	Conform Caiet de sarcini	Temperatura minimă-15 °C +60°C Gradul de etanșietateIP 54 Glow wire test650 °C Dimensiune100x100x50mm	

Semnat: _____ Numele, Prenumele: **Gaina Victor** În calitate de: **Administrator**
Ofertantul: **Media Security SRL** Adresa: **Colina Puschin 4 , sediul str. Dmitrie Cantemir 5/4**



Specificații de preț

Numărul procedurii de achiziție ocds-b3wdp1-MD-1654004630548 din 02 06 2022

Obiectul de achiziției: Sisteme video de supraveghere

Cod CPV	Denumirea bunurilor	Unitatea de măsură	Cantitatea	Preț unitar (fără TVA)	Suma (fara TVA)	Preț unitar (cu TVA)	Suma cu TVA	Termenul de livrare	Clasificație bugetară (IBAN)
1	2	3	4	5	6	7	8	9	10
	Cameră IP interior 4 MP DI-340IPS-28	buc	2	1638,90	3277,80	1966,68	3933,36	Termenii de livrare sunt in stoc	
	Cameră IP de exterior 4 MP I2-340IPS-28	buc	4	1638,90	6555,60	1966,68	7866,72		
	Registrator 16 ch NVR8-16400FA(1U)	buc	1	2355,75	2355,75	2826,90	2826,90		
	3.5" HDD 1.0TB-SATA 256MB Western Digital "Blue (WD40EZAZ)	buc	1	1215,00	1215,00	1458,00	1458,00		
	Monitor 27" PHILIPS 271V8L, Black	buc	1	5670,00	5670,00	6804,00	6804,00		
	Sursa alimentare 8 ch	buc	1	753,30	753,30	903,96	903,96		
	Cablu UTP Cat.5	m	100	9,75	974,70	11,70	1169,64		
	Cablu FTP cu tros Cat.5	m	305	13,23	4035,15	15,88	4842,18		
	Cablu Canal 20*10	m	30	8,78	263,25	10,53	315,90		
	Conector RJ 45 ecranat cat 5e	buc	12	6,75	81,00	8,10	97,20		
	Conector 12 V	buc	6	6,75	40,50	8,10	48,60		
	Doză de conexiune pătrată 100*100*50	buc	6	33,75	202,50	40,50	243,00		
	Lucrari si dare in exploatare	sistem	1	8185,05	8185,05	9822,06	9822,06		
	TOTAL				33609,60		40331,52		

Semnat: _____ Numele, Prenumele: **Gaina Victor** În calitate de: **Administrator**

Ofertantul: **Media Security SRL** Adresa: **Colina Puschin 4 , sediul str. Dmitrie Cantemir 5/4**





МИР БЕЗ ОПАСНОСТИ
www.media-security.eu

MEDIA SECURITY

SECURITY & COMMUNICATION SYSTEMS

Departamentul Tehnic

ACT DE CONFIRMARE

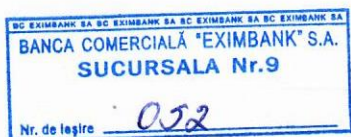
Prin prezentul, compania “Media Security”SRL, confirmă prezenta in cadrul companiei a Centrului de service suport tehnic si reparatii și garantează angajati instruiti si calificati pentru lucrarile de mentenanta, renovare si punere in functiune a Sistemelor de securitate:

- Sisteme supraveghere video** (*video analitica*);
- Sisteme control al accesului** (turnichete si bare de acces cu system de pontare);
- Sisteme antiefracție și securitate perimetru;**
- Sisteme detecție și avertizare la incendiu;**
- Sisteme conferinta si sonorizare voce;**
- Sisteme GPS** (*poziționarea geografica și monitorizarea traficului auto*).

Administrator

Gaina Victor





09. APR. 2021

CERTIFICAT

Prin prezentul se confirmă faptul deținerii de către "MEDIA SECURITY" S.R.L., IDNO: 1006600023985, a următoarelor conturilor curente deschise la B.C. "EXIMBANK" S.A. Filiala nr. 9, codul băncii EXMMMD22, după cum urmează:

Nr. cont	IBAN	Codul valutei
2251109179EU	MD48EX0000002251109179EU	EUR
2251109179US	MD67EX0000002251109179US	USD
225109179MDL	MD50EX0000000225109179MD	MDL

Certificatul este eliberat pentru a fi prezentat la cerere.

Nicolae Turcan
Director Filiala nr. 9



Ex. A Rebeja
Tel: 022 225416

F/UTP-C 4Pairs cable-category5E-PE Sheath

Product Description: Bare solid copper conductor Rohs/REACH complied PEJacket Installation temperature: -30℃~+50℃				Application: 100Base-TX 100Base-T 100VG-AnyLAN 1000Base-T(Gigabit Ethernet) 1000Base-TX ATM			
Content of the Data Sheet							
Category	F/UTP-C CAT5E-4P-PE						
Test Standard	ISO/IEC11801, TIA-568-C.2 YD/T1019						
Conductor	Material	Solid Bare copper					
	Nom.O.D.(mm)	0.500	up	+0.005	down		-0.005
Insulation	Material	HDPE					
	Diameter	1.00±0.03 mm					
Screening Material	Aluminum Foil	Steel Wires	1.2mm				
Sheath	Thickness	0.55±0.05mm				Sheath Physical Properties Before Aging Tensile Strength (Mpa) ≥10.0 Elongation(%) ≥350 Aging Period((℃× hrs) 100℃×24h×10d After Aging Elongation(%) ≥300 Cold bend(-20±2℃×4h) 8×Cable O.D., No visible cracks	
	External O.D.	(6.4/2.6)±0.4 mm					
	Surface	Clean, Frap, Satiation					
	Material	PE					
	Color	Black					
Surface Printing	Letter height	3.0±0.3mm					
	Color	White					
	Print error & Space	≤±0.5%, 1m					
Core Color	1 White- Blue /Blue	2 White-Orange /Orange					
	3 White- Green /Green	4 White- Brown /Brown					
Packing	Wooden Tray					Electrical Characteristics (20℃) 1.0-100.0MHz, Impedance (Ω) 100±15 1.0-100.0MHz Delay Shew (ns/100m) ≤45 NVP 69% Capacitance(nF/100m) max: 5.6 unbalanced-to-ground capacitance (pf/100m) max 330 DC ResistanceΩ/100m) max 9.5 DC Conductor Resistance Unbalance(%)max5.0	
Carton dimension	—						
Packing length	305±1.5m						
Rip-cord	Yes	Drain wire	Yes				

IP S-SIGHT SERIES

Provision-ISR S-SIGHT series provides you with all that you need for a simple installation. S-Sight cameras guarantee a superior image quality, improved night performance and make an outstanding value for money solution.

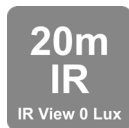


DI-340IPS-28

20M IR 4MP FIXED LENS DOME/TURRET CAMERA

Equipped with a 2.8mm fixed lens, this 4MP Dome/Turret camera is designed for short distance surveillance (up to 20m) in both indoor and outdoor scenarios.

With its great performances, reliability and affordable price DI-340IPS-28 camera is the perfect solution for any basic installation.



MAIN FEATURES

- 4MP
- 2592×1520 Resolution
- Wide field of view 110°
- 3D-DNR
- IP67
- Built in microphone

ANALYTICS

- General Analytics: Camera Tampering
- Standard Analytics: Line Crossing, Sterile Area



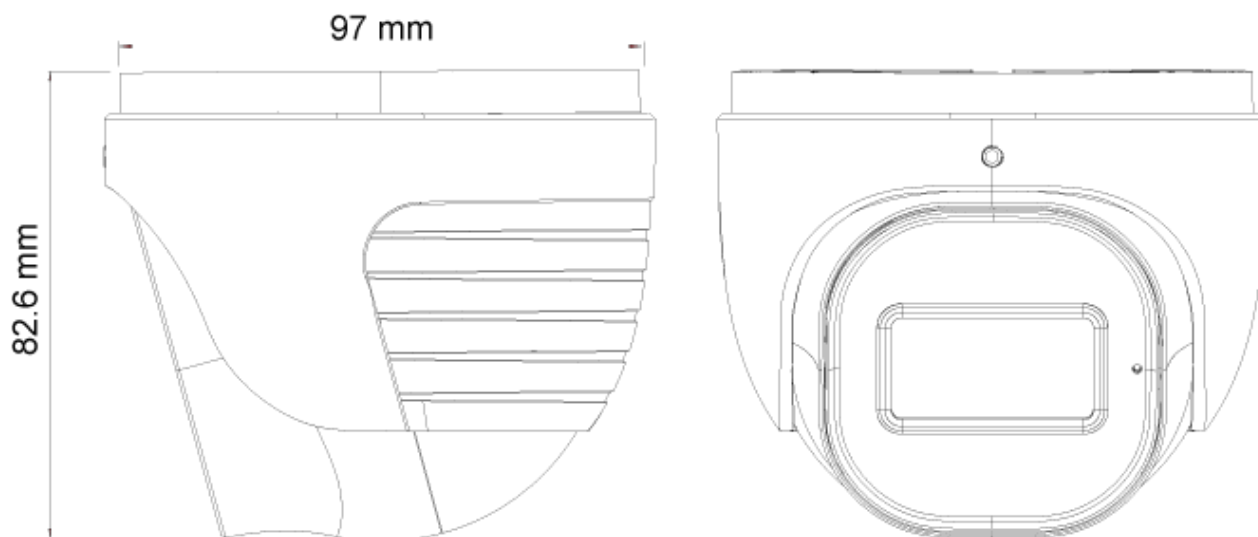
SPECIFICATIONS

Image Sensor	1/2.7" CMOS (16:9)
Effective Pixels	2560x1440
Electronic Shutter	1/25s ~ 1/100000s
Frame Rate	1-25/30FPS
Day & Night	ICR
Min. Illumination	Day: 0.1lux / Night: 0.03lux (@F2.0, AGC On) 0lux with IR on
Audio compression	G.711A/G.711U
Communication	One-way Audio
Image Settings	AWB, AGC Adjustable, Exposure Mode (Auto) Sharpness, Saturation, Brightness & Contrast Adjustable
Image Enhancement	Digital WDR, BLC, HLC, ROI
Noise Reduction	3D-DNR
Image Orientation	Mirror/Flip
Privacy Zone	Yes
Motion Detection	Yes
Analytics	General Analytics: Camera Tampering Standard Analytics: Line Crossing, Sterile Area
Video Compression	H.265 / H.264 / MJPEG (Sub-Stream Only)
Resolution	4MP (2560x1440) / 3MP (2304x1296) / 2MP (1920x1080) / D1 / QVGA /CIF
Multi-Stream	Master Stream: 4MP (2560x1440) / 3MP (2304x1296) / 2MP (1~30fps) Sub-Stream: 1MP (1~12/15fps) /QVGA/D1/CIF (1~30fps) Third Stream: QVGA/D1/CIF (1~30fps)"
Bit rate	64Kbps ~ 5Mbps@H.265 / 64Kbps ~ 5Mbps@H.264
Encode Mode	VBR/CBR
Image Quality	Five levels under VBR; Free adjustment under CBR
IR Distance	20m (1 High Power IR LED)
Lens (Field of View)	2.8mm (110°)

SPECIFICATIONS

Iris	Fixed Iris
Lens Mount	M12 mount
Protection Rate	Water Proof: IP67
Bracket	3-Axis Bracket
Dimensions	Ø97mm×82.6mm
Weight (gross)	~450g
Network	RJ45 (+PoE)
Power	DC Socket
Analog Video Output	No
Audio Connectivity	Built-In Microphone
SD Card	Event/Schedule based Main/Sub-Stream recording (Up to 128Gb)
Hard Reset Button	Yes
Alarm	No
Remote Monitoring	IE Browsing, CMS Software, Provision Cam2 Mobile App
User Access	Supports simultaneous monitoring for up to 4 users with multi-stream real time transmission
Network Protocol	IPv4, IPv6, TCP, UDP, DHCP, NTP, DDNS, 802.1X, RTSP, Multicast, UPnP, Email, FTP, HTTPS, QoS
ONVIF	Yes
Ethernet	100Mbps
PoE	Yes
Power Supply	DC12V/~400mA / PoE/~5.2W
Work Environment	-30°C~60°C, 10%~90% Humidity
Junction Box	PR-JB12IP66 - PR-JB12IP64 - PR-WB-A

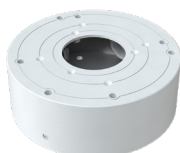
DIMENSIONS



ACCESSORIES



PR-JB12IP66



PR-JB12IP64



PR-WB-A



Now you can see!

Hereby appoints

"Media-Security" SRL
Moldova

As our partner to distribute PROVISION-ISR's
products for the year 2021-2022

PROVISION-ISR hereby appoints the above mentioned subject as PROVISION-ISR Authorized Distributor of products specified under the item "Products" in accordance with the PROVISION-ISR Authorized Distributor's Terms and Conditions, and the Authorized Distributor accepts this appointment, PROVISION-ISR grants the Authorized Distributor the rights to act as PROVISION-ISR Authorized Distributor and to promote sales of the "Products".

For and on behalf of
PROVISION-ISR LIMITED

Ari Pick, President
PROVISION-ISR LTD.

Authorized Signature(s)



I.P. "AGENȚIA SERVICII PUBLICE"

Departamentul înregistrare și licențiere a unităților de drept

EXTRAS
din Registrul de stat al persoanelor juridice

nr. 6526 din 18.04.2022

Denumirea completă: **Societatea cu Răspundere Limitată «MEDIA SECURITY».**

Denumirea prescurtată: **«MEDIA SECURITY» S.R.L.**

Forma juridică de organizare: **Societate cu Răspundere Limitată.**

Numărul de identificare de stat și codul fiscal: **1006600023985.**

Data înregistrării de stat: **22.05.2006.**

Sediul: **MD-2005, str. Colina Pușkin, 4, mun. Chișinău, Republica Moldova.**

Modul de constituire: **nou creată.**

Obiectul principal de activitate:

1 Activitatea în domeniul televiziunii și radiodifuziunii;

2 Publicitate;

3 Tipărirea altor publicații (cărți, broșuri etc);

4 Alte activități de servicii prestate întreprinderilor, neincluse în alte categorii;

5 Tipărirea ziarelor;

6 Montarea și (sau) reglarea, asistența tehnică a sistemelor automate de semnalizare și de stingere a incendiilor, precum și de protecție a clădirilor împotriva fumului și de înștiințare în caz de incendiu;

7 Activitatea particulară de detectiv sau de pază.

Capitalul social: **5400 lei.**

Administrator: GAINA VICTOR, IDNP 0961107011088,


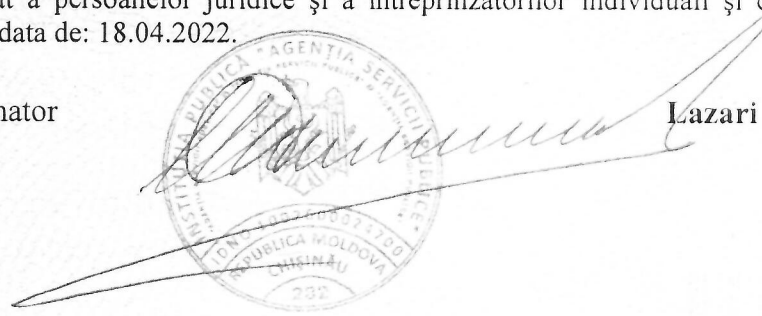
Asociați:

1. GAINA VICTOR , IDNP 0961107011088

cota 5400.00 lei, ce constituie 100 %.

Prezentul extras este eliberat în temeiul art. 34 al Legii nr. 220-XVI din 19 octombrie 2007 privind înregistrarea de stat a persoanelor juridice și a întreprinzătorilor individuali și confirmă datele din Registrul de stat la data de: 18.04.2022.

Specialist coordonator
tel. 022-207-840

Lazari Aliona

IP S-SIGHT SERIES

Provision-ISR S-SIGHT series provides you with all that you need for a simple installation. S-Sight cameras guarantee a superior image quality, improved night performance and make an outstanding value for money solution.



I2-340IPS-28

20M IR 4MP FIXED LENS BULLET CAMERA

Equipped with a 2.8mm fixed lens, this 4MP bullet camera is designed for short distance surveillance (up to 20m) in both indoor and outdoor scenarios.

With its great performances, reliability and affordable price I2-340IPS-28 camera is the perfect solution for any basic installation.



MAIN FEATURES

- 4MP
- 2592×1520 Resolution
- Wide field of view 110°
- 3D-DNR
- IP67

ANALYTICS

- General Analytics: Camera Tampering
- Standard Analytics: Line Crossing, Sterile Area



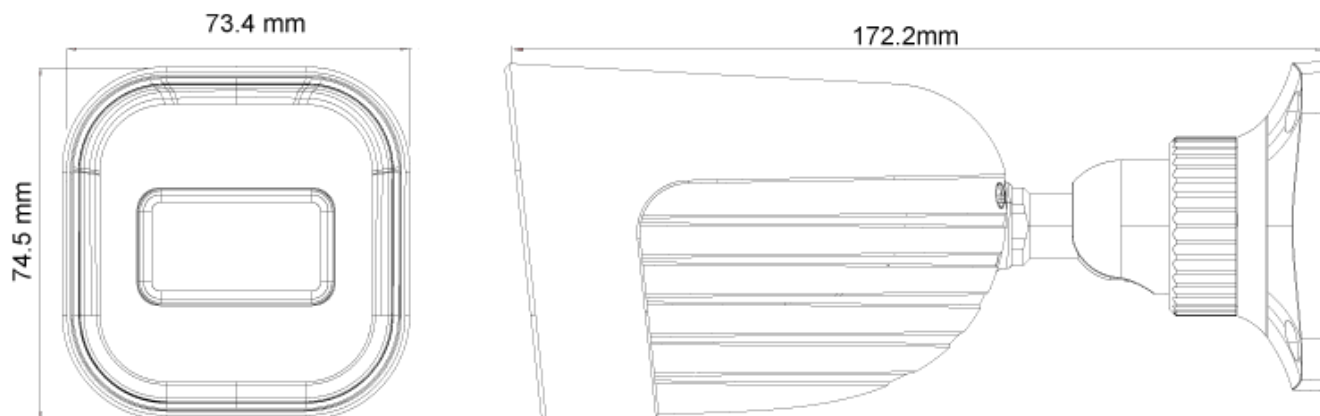
SPECIFICATIONS

Image Sensor	1/2.7" CMOS (16:9)
Effective Pixels	2592×1520
Electronic Shutter	1/25s ~ 1/100000s
Frame Rate	1-25/30FPS
Day & Night	ICR
Min. Illumination	Day: 0.1lux / Night: 0.03lux (@F2.0, AGC On) 0lux with IR on
Audio compression	N/A
Communication	N/A
Image Settings	AWB, AGC Adjustable, Exposure Mode (Auto) Sharpness, Saturation, Brightness & Contrast Adjustable
Image Enhancement	Digital WDR, BLC, HLC, ROI
Noise Reduction	3D-DNR
Image Orientation	Mirror/Flip
Privacy Zone	Yes
Motion Detection	Yes
Analytics	General Analytics: Camera Tampering Standard Analytics: Line Crossing, Sterile Area
Video Compression	H.265 / H.264 / MJPEG (Sub-Stream Only)
Resolution	4MP (2560x1440) / 3MP (2304x1296) / 2MP (1920x1080) / D1 / QVGA /CIF
Multi-Stream	Master Stream: 4MP (2560x1440) / 3MP (2304x1296) / 2MP (1~30fps) Sub-Stream: 1MP (1~12/15fps) /QVGA/D1/CIF (1~30fps) Third Stream: QVGA/D1/CIF (1~30fps)"
Bit rate	64Kbps ~ 5Mbps@H.265 / 64Kbps ~ 5Mbps@H.264
Encode Mode	VBR/CBR
Image Quality	Five levels under VBR; Free adjustment under CBR
IR Distance	20m (1 High Power IR LED)
Lens (Field of View)	2.8mm (110°)

SPECIFICATIONS

Iris	Fixed Iris
Lens Mount	M12 mount
Protection Rate	Water Proof: IP67
Bracket	3-Axis Bracket
Dimensions	172.2x73.4x74.5mm
Weight (gross)	~390g
Network	RJ45 (+PoE)
Power	DC Socket
Analog Video Output	No
Audio Connectivity	No
SD Card	Event/Schedule based Main/Sub-Stream recording (Up to 128Gb)
Hard Reset Button	Yes
Alarm	No
Remote Monitoring	IE Browsing, CMS Software, Provision Cam2 Mobile App
User Access	Supports simultaneous monitoring for up to 4 users with multi-stream real time transmission
Network Protocol	IPv4, IPv6, TCP, UDP, DHCP, NTP, DDNS, 802.1X, RTSP, Multicast, UPnP, Email, FTP, HTTPS, QoS
ONVIF	Yes
Ethernet	100Mbps
PoE	Yes
Power Supply	DC12V/~420mA / PoE/~5.4W
Work Environment	-30°C~60°C, 10%~90% Humidity
Junction Box	PR-JB12IP66 - PR-JB12IP64

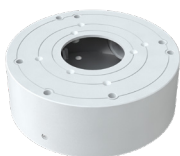
DIMENSIONS



ACCESSORIES



PR-JB12IP66



PR-JB12IP64

NVR SERIES

Provision-ISR conventional NVRs are intended for obtaining video streams from the IP cameras via the IP networks for the purpose of their storage and subsequent playback. These devices communicate with the IP cameras through the general network, without the need of direct IP camera connection, providing the installer with the highest flexibility in the design of the system and the wiring.

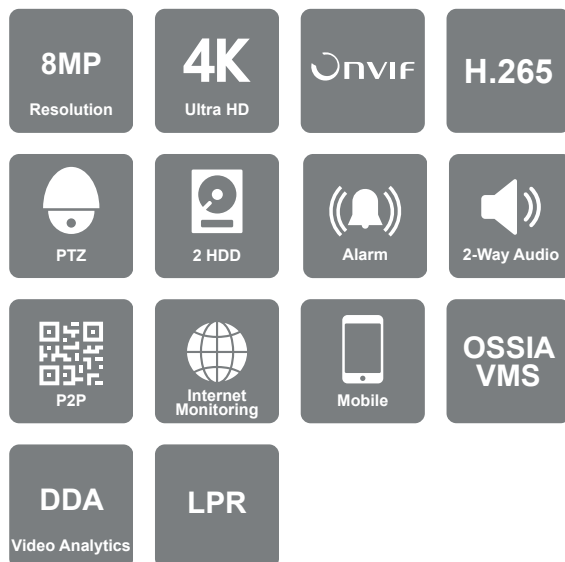


NVR8-16400A(1U)

16CH 8MP NVR WITH ALARMS

Provision-ISR NVR8-16400A(1U) is an easy-to-install solution suitable for mid-sized installations (up to 16 channels).

The device features 4 alarm inputs + 1 alarm output and provides you with everything you need for a trouble-free CCTV project.



MAIN FEATURES

- Channels: 16 over Network
- Video output: HDMI (4K, 1080P) VGA (1280X1024)
- Max. Recording: 16CH 8MP Real Time
- HDD: 2 SATA (8TB each) with Smart Management
- Alarms: 8 In / 4 Out (+ IPC Inputs/Outputs)
- Audio: 1 In / 1 Out (+ IPC Inputs/Outputs)
- Video Analytics: Yes (Must be supported by IPC)
- DDA, and LPR support



SPECIFICATIONS

	Input	16Ch Over Network
	Output	HDMI (4K, 1080P), VGA (1080P, 1280x1024, 1024x768)
Video	View Mode	Mirrored
	Decoding Format	H.265 / H.265+ / H.265S / H.264
	Decoding Capabilities	1Ch - 8MP ; 4Ch - 2MP ; 9/16Ch - D1
	Input	1CH RCA (Linear, 1kΩ) + IPC Inputs
Audio	Output	1CH RCA (2.0 Vp-p, 1 kΩ) + IPC Inputs
	Compression	G.711A/G.711U
	Two Way Audio	Yes
	Analytics Channels	16Ch (Requires supporting IPC)
Analytics	Supported Analytics	Camera Tampering, Line Crossing (DDA / Pixel Based), Sterile Area (DDA / Pixel Based), Object Monitoring, Object Counting (DDA), Crowd Gathering, People Intrusion, Smart Search, LPR *DDA/LPR Analytics Live Snapshots are not supported
	Face Recognition Rate	N/A
Bandwidth	Incoming	112Mbps
	Outgoing	112Mbps
	Real-Time Recording	16CH 8MP Real-Time
Record / Remote App Record/ Main Stream	Record Type	Video / Video + Audio
	8MP	480FPS (NTSC)/400FPS (PAL)
	5MP and lower	480FPS (NTSC)/400FPS (PAL)
	Master stream over network	Up to 16CH@Recording Resolution

SPECIFICATIONS

Sub Stream	Resolution	Depends on IPC
	Sub-Streams over Network	Up to Outgoing Bandwidth Capacity
General	Recording Modes	Schedule, Manual, Motion, Sensor, Analytics, POS and all of its combinations
	User Access	10 Users Online with Professional Authority Management
Record / Remote App	Mobile App	Provision Cam2 for iOS/Android
	PC/Mac Software	Ossia VMS Standard / Enterprise
	Plug-in free Web-Browser	Chrome, FireFox, Safari, Edge, Opera. (All Limited to 4Ch Live View / Playback)
	Plug-in based Web-Browser	Internet Explorer
Playback	Local Playback	16Ch
	Remote Playback (Web, App, VMS)	16Ch
	Search Mode	DDA Object, Smart Search, LPR, Time-Slice, Time, Event, POS
Backup	USB	2 USB 2.0 Ports
	Backup Format	AVI (Unencrypted) / Private Format (Encrypted / Unencrypted)
Alarm	Input	4+IPC
	Output	1+IPC
	HDD	2
Storage	E-SATA	None
	Max Capacity	Local: 16TB (Up to 8TB Each)
	RAID	N/A

SPECIFICATIONS

	Connection	Via Network
PTZ	Supported Controls	Pan, Tilt, Zoom, Preset, Cruise, Scan, Iris, Focus
	RS-485	N/A
Network	Ethernet	1000/100/10Mbps self-adaptive Ethernet interface
	Protocols	TCP/IPv4/IPv6, DHCP, DDNS, NTP, SMTP, SSL/TLS, UPnP, P2P, RTSP, FTP, HTTPS, 820.1X, SNMP, Auto Report (Ossia VMS)
	ONVIF	Full Device Support (Profile T/G, ONVIF Version 20.12)
	Ports	N/A
	Speed	N/A
PoE	Standard	N/A
	CCTV Mode	N/A
	Total Power	N/A
	Max. Power Output (Per Ch.)	N/A
	Power Supply	DC12V/4A
Others	Power consumption (No HDD)	5W
	Dimension	W375xD275xH50mm
	Operation Temperature	0-50C

*Max power output will be reduced depending on cable quality and distance.



SISTEME DE SECURITATE



MEDIA SECURITY
SECURITY & COMMUNICATION SYSTEMS



24x24 call center

022 20 11 11

+373 69 870 801

CERTIFICAT DE GARANȚIE A UTILAJULUI

Prin prezentul Certificat de garanție, "Media Security" SRL confirmă calitatea și conformitatea produsului ce se atestă prin declarația de conformitate care însoțește fiecare bun, fiind valabil doar pe teritoriul R.M.

CONDIȚII GENERALE

- "Media Security" SRL **oferă o garanție de 24 luni** de la data achiziționării produsului cu condiția prezentării unui document care confirmă achiziționarea produsului (inclusiv talonul de garanție).
- În conformitate cu legea Nr.105 din 13.03.2003 privind protecția consumatorului, **Clientului** i se garantează că pe durata termenului de garanție, în condițiile normale de utilizare/exploatare a bunului material, dacă apar neconformități, acestea vor fi repuse în conformitate prin repararea produsului, sau după caz, prin înlocuire din contul **vânzătorului**, cu excepția situației în care măsura reparatorie respectivă este imposibilă sau disproporționată.
- Clientul nu este îndreptățit să solicite restituirea contravalorii produsului, dacă lipsa conformității este minoră.
- Orice măsură reparatorie va fi făcută în cadrul unei perioade de timp ce nu va depăși 10 zile calendaristice de la momentul predării produsului vânzătorului ori persoanei desemnate de acesta pe baza unui document de predare-preluare.
- Pentru defecțiunile survenite urma efectuării operațiunilor de montare și demontare a echipamentului de către personal din afara societății vânzătoare, răspunde exclusiv cumpărătorul.
- În cazul schimbării sau reparării produsului termenul de garanție nu se prelungește ci rămâne inițial.
- Garanția nu se răspindește asupra consumabilelor, care intra în componenta aparatului, cu excepția cazului în care acesta prezintă vicii ascunse.
- Pe durata perioadei de garanție, o dată la 3 luni, este obligatoriu de a prezenta utilajul la compania "Media Security" SRL pentru lucrări profilactorii. În cazul neprezentării durata de garanție se întrerupe.

Prin semnarea prezentului certificat de garanție, Clientul confirmă că a luat cunoștință cu condițiile de acordare a garanției de către "Media Security" SRL.

SRL "Media Security"



CERTIFICATION of Conformity

No.: MOSTCT20040739

Holder : **PROVISION-ISR LIMITED**
FLAT/RM D-2, 7/F, WING CHEONG COMMERCIAL BLDG 19-25
JERVOIS STREET SHEUNG WAN HK

Product Name : **DVR**

Model Name : **NVR8-8200FA, NVR8-16400FA(1U),NVR8-32800RFA(2U),**
NVR8-16400PFA(1U) ,NVR8-8200PFA,SH-8100A5-8(1U),
SH-32200A5R-8(2U) ,SH-4050A5-8L(MM) ,SH-4050A5-8L

Brand Name : **PROVISION ISR**

Technical Data : **Input: 100-240VAC, 50/60Hz, 1.5A**
Output: 12VDC, 4A

Report No. : **MTET20040512**

This certification refers to the conformity of the following Directive(s). It does not exclude the product(s) having to be in compliance with other applicable Directive(s):

According to the Electromagnetic Compatibility (EMC) directive 2014/30/EU.

It is to certify that the product identified above in compliance with the essential requirements of the following standard(s):

EN 55032:2015

EN 55035:2017

EN IEC 61000-3-2:2019

EN 61000-3-3:2013+A1:2019

April 27, 2020

Date of Issue



Signed by: Yvette Zhou



This certification of conformity is based on an evaluation of the sample(s) of above mentioned product. Technical report and documentation are at the Holder's disposal. The CE marking as shown below can be affixed, under the responsibility of the manufacturer, after completion of an EC Declaration of Conformity and compliance with all relevant EC Directives. The affixing of the CE marking presumes in addition that the conditions in annexes III and IV of the Directive are fulfilled.

The original document contains watermark. Not to be reproduced without the permission of Shenzhen Most Technology Service Co., Ltd.



CERTIFICATION of Conformity

No.: MOSTCN19112288

Holder : **PROVISION-ISR LIMITED**
Room 403, F/4,Fu Fai Commercial Centre building, 27 Hillier Street, Sheung Wan, Hong-Kong

Product Name : **CAMERA**

Model Name : **I8-340IPE-MVF, I8-380IPE-MVF,I1-320IPB-28,I2-320IPS-28, I2-340IPS-28,I4-380IPS-28,I4-320IPS-VF,I4-380IPS-MVF, I4-320IPE-36,I4-320PE-MVF,I4-340IPE-36,I4-340IPE-MVF, I4-380IPE-28,I6-320IPE-MVF,I6-340IPE-MVF,I6-380IPE-MVF, I4-340IPS-MVF**

Brand Name : **PROVISION ISR**

Technical Data : **1:DC 12V**
2:POE power supply

Report No. : **MTEN19111847**

This certification refers to the conformity of the following Directive(s). It does not exclude the product(s) having to be in compliance with other applicable Directive(s):

According to the Electromagnetic Compatibility (EMC) directive 2014/30/EU.

It is to certify that the product identified above in compliance with the essential requirements of the following standard(s):

EN 55032:2015
EN 55035:2017

November 14, 2019
Date of Issue


Signed by: Yvette Zhou



This certification of conformity is based on an evaluation of the sample(s) of above mentioned product. Technical report and documentation are at the Holder's disposal. The CE marking as shown below can be affixed, under the responsibility of the manufacturer, after completion of an EC Declaration of Conformity and compliance with all relevant EC Directives. The affixing of the CE marking presumes in addition that the conditions in annexes III and IV of the Directive are fulfilled.

The original document contains watermark. Not to be reproduced without the permission of Shenzhen Most Technology Service Co., Ltd.



CERTIFICATION of Conformity

No.: MOSTCN19112292

Holder : **PROVISION-ISR LIMITED**
**Room 403, F/4,Fu Fai Commercial Centre building, 27 Hillier Street,
Sheung Wan, Hong-Kong**

Product Name : **CAMERA**

Model Name : **DI-320IPB-28, DI-320IPS-28,DI-340IPS-28,DI-380IPS-28,DI-320IPE-28,
DI-340IPE-28,DAI-320IPE-28,DAI-340IPE-28,DAI-380IPE-28,
DAI-320IPE-MVF,DAI-340IPE-MVF,DAI-380IPE-MVF,DI-320IPS-VF,
DI-340IPS-MVF,DI-380IPS-MVF,DI-320IPE-MVF,DI-340IPE-MVF,
DI-380IPE-MVF,DMA-320IPE-28,DMA-340IPE-28,BX-381IPE,BX-341IPE**

Brand Name : **PROVISION ISR**

Technical Data : **1:DC 12V
2:POE power supply**

Report No. : **MTEN19111851**

This certification refers to the conformity of the following Directive(s). It does not exclude the product(s) having to be in compliance with other applicable Directive(s):

According to the Electromagnetic Compatibility (EMC) directive 2014/30/EU.


It is to certify that the product identified above in compliance with the essential requirements of the following standard(s):

EN 55032:2015

EN 55035:2017

November 14, 2019

Date of Issue


Signed by: Yvette Zhou



This certification of conformity is based on an evaluation of the sample(s) of above mentioned product. Technical report and documentation are at the Holder's disposal. The CE marking as shown below can be affixed, under the responsibility of the manufacturer, after completion of an EC Declaration of Conformity and compliance with all relevant EC Directives. The affixing of the CE marking presumes in addition that the conditions in annexes III and IV of the Directive are fulfilled.

The original document contains watermark. Not to be reproduced without the permission of Shenzhen Most Technology Service Co., Ltd.

