

HIKVISION

DS-2DE7232IW-AE 2MP 32× Network IR Speed Dome



Hikvision DS-2DE7232IW-AE 2MP 32× Network IR Speed Dome adopts 1/2.8" progressive scan CMOS chip. With the 32× optical zoom lens, the camera offers more details over expansive areas.

This series of cameras can be widely used for wide ranges of high-definition, such as the rivers, roads, railways, airports, squares, parks, scenic spots, and venues, etc.

Key Features

- 1/2.8" progressive scan CMOS
- Up to 1920 × 1080@60fps resolution
- Min. illumination:
Color: 0.005 Lux @(F1.6, AGC ON)
B/W: 0.001 Lux @(F1.6, AGC ON)
0 Lux with IR
- 32× optical zoom, 16× digital zoom
- WDR, HLC, BLC, 3D DNR, Defog, EIS, Regional Exposure, Regional Focus
- Up to 150 m IR distance
- 24 VAC & Hi-PoE
- Support H.265+/H.265 video compression



www.hikvision.com

Specification

Camera Module	
Image Sensor	1/2.8" progressive scan CMOS
Min. Illumination	Color: 0.005 Lux @(F1.6, AGC ON) B/W: 0.001Lux @(F1.6, AGC ON) 0 Lux with IR
White Balance	Auto/Manual/ATW (Auto-tracking White Balance)/Indoor/Outdoor/Fluorescent Lamp/Sodium Lamp
Gain	Auto/Manual
Shutter Time	50Hz: 1/1 s to 1/30,000 s 60Hz: 1/1 s to 1/30,000 s
Day & Night	IR Cut Filter
Digital Zoom	16x
Privacy Mask	24 programmable privacy masks
Focus Mode	Auto/Semi-automatic/Manual
WDR	120 dB WDR
Lens	
Focal Length	4.8 mm to 153 mm, 32x optical zoom
Zoom Speed	Approx. 5.6 s (optical lens, wide-tele)
Field of View	Horizontal field of view: 55.6° to 2.04° (Wide-Tele) Vertical field of view: 32.4° to 1.14° (Wide-Tele) Diagonal field of view: 63° to 2.34° (Wide-Tele)
Working Distance	10 mm to 1500 mm (wide-tele)
Aperture Range	F1.2 to F4.4
IR	
IR Distance	150 m
Smart IR	Support
PTZ	
Movement Range (Pan)	360° endless
Pan Speed	Configurable, from 0.1°/s to 160°/s, Preset speed: 240°/s
Movement Range (Tilt)	From -15° to 90° (auto-flip)
Tilt Speed	Configurable, from 0.1°/s to 120°/s Preset Speed: 200°/s
Proportional Zoom	Support
Presets	300
Patrol Scan	8 patrols, up to 32 presets for each patrol
Pattern Scan	4 pattern scans, record time over 10 minutes for each scan
Power-off Memory	Support
Park Action	Preset/Pattern Scan/Patrol Scan/Auto Scan/Tilt Scan/Random Scan/Frame Scan/Panorama Scan
3D Positioning	Support
PTZ Position Display	Support
Preset Freezing	Support
Scheduled Task	Preset/Pattern Scan/Patrol Scan/Auto Scan/Tilt Scan/Random Scan/Frame Scan/Panorama Scan/Dome Reboot/Dome Adjust/Aux Output
Compression Standard	
Video Compression	Main Stream: H.265+/H.265/H.264+/H.264 Sub-stream: H.265/H.264/MJPEG Third Stream: H.265/H.264/MJPEG
H.264 Type	Baseline Profile/Main Profile/High Profile



H.264+	Support
H.265 Type	Baseline Profile/Main Profile/High Profile
H.265+	Support
Video Bitrate	32 Kbps to 16384 Kbps
Audio Compression	G.711alaw/G.711ulaw/G.722.1/G.726/MP2L2/PCM
Audio Bitrate	G.711alaw/G.711ulaw: 64 Kbps G.722.1/G.726: 16 Kbps MP2L2/PCM: 32 Kbps/64 Kbps/128 Kbps
SVC	Support
Smart Features	
Basic Event	Motion Detection, Alarm Input, Alarm Output, Video Tampering Detection, Exception
Smart Event	Face Detection, Intrusion Detection, Line Crossing Detection, Region Entrance Detection, Region Exiting Detection, Object Removal Detection, Unattended Baggage Detection
Smart Record	ANR (Automatic Network Replenishment), Dual-VCA
ROI	Main stream, sub-stream, and third stream respectively support four fixed areas.
Auto-Tracking	Support
Image	
Max. Resolution	1920 × 1080
Main Stream	50Hz: 25fps (1920 × 1080, 1280 × 960, 1280 × 720) 50fps (1920 × 1080, 1280 × 960, 1280 × 720) 60Hz: 30fps (1920 × 1080, 1280 × 960, 1280 × 720) 60fps (1920 × 1080, 1280 × 960, 1280 × 720)
Sub-Stream	50Hz: 25fps (704 × 576, 640 × 480, 352 × 288) 60Hz: 30fps (704 × 480, 640 × 480, 352 × 240)
Third Stream	50Hz: 25fps (1920 × 1080, 1280 × 960, 1280 × 720, 704 × 576, 640 × 480, 352 × 288) 60Hz: 30fps (1920 × 1080, 1280 × 960, 1280 × 720, 704 × 480, 640 × 480, 352 × 240)
Image Enhancement	HLC/BLC/3D DNR/Defog/EIS/Regional Exposure/Regional Focus
Network	
Network Storage	Built-in memory card slot, support Micro SD/SDHC/SDXC, up to 256 GB; NAS (NPS, SMB/CIFS), ANR
Alarm Linkage	Alarm actions, such as Notify Surveillance Center, Upload to FTP, Send Email, Trigger Recording, Recording Linkage, and Alarm Input, etc.
Protocols	IPv4/IPv6, HTTP, HTTPS, 802.1x, Qos, FTP, SMTP, UPnP, SNMP, DNS, DDNS, NTP, RTSP, RTP, TCP/IP, UDP, IGMP, ICMP, DHCP, PPPoE, Bonjour
API	Open-ended, support ONVIF, ISAPI, and CGI, support HIKVISION SDK and Third-Party Management Platform
Simultaneous Live View	Up to 20 channels
User/Host	Up to 32 users 3 levels: Administrator, Operator and User
Security Measures	User authentication (ID and PW), Host authentication (MAC address); HTTPS encryption; IEEE 802.1x port-based network access control; IP address filtering
Client	iVMS-4200, iVMS-4500, iVMS-5200, Hik-Connect
Web Browser	IE 8 to 11, Chrome 31.0 to 44, Firefox 30.0 to 51
Interface	
Alarm Interface	2-ch alarm input and 1-ch alarm output
Audio Interface	1-ch audio input and 1-ch audio output
Network Interface	1 RJ45 10 M/100 M Ethernet, Hi-PoE
General	
Power	24 VAC and Hi-PoE Max.: 40 W (Max. 14 W for IR)
Working Temperature	-30°C to 65°C (-22°F to 149°F)
Working Humidity	≤ 90%



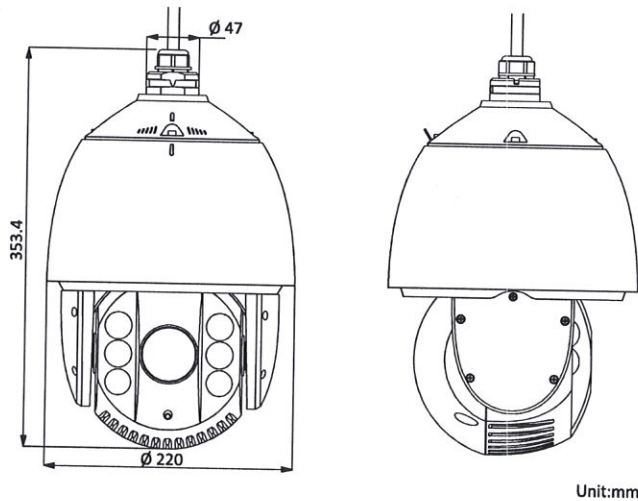
Handwritten signature

Protection Level	IP66 Standard, TVS 4000V Lightning Protection, Surge Protection and Voltage Transient Protection
Material	ADC 12, PC, PC+10%GF
Dimensions	Φ 220 mm × 353.4 mm (Φ 8.66" × 13.91")
Weight	Approx. 4.5 kg (9.92 lb)

Available Model

DS-2DE7232IW-AE, 24 VAC & Hi-PoE

Dimensions



Unit:mm



Accessories

	DS-1602ZJ	Wall Mounting Bracket
	DS-1602ZJ-corner	Corner Mounting Bracket
	DS-1602ZJ-pole	Vertical Pole Mounting Bracket
	DS-1602ZJ-box	Wall Mounting Bracket with Junction Box
	DS-1663ZJ	Ceiling Mounting Bracket
	DS-1661ZJ	Pendant Mounting Bracket
	DS-1662ZJ	Pendant Mounting Bracket
	DS-1619ZJ	Gooseneck Mounting Bracket
	DS-1100KI	Network Keyboard
	DS-1005KI	USB Joy-stick

Distributed by

HIKVISION

Headquarters

No.555 Qianmo Road, Binjiang District,
Hangzhou 310051, China
T +86-571-8807-5998
overseasbusiness@hikvision.com

Hikvision USA
T +1-909-895-0400
sales.usa@hikvision.com

Hikvision Italy
T +39-0438-6902
info.it@hikvision.com

Hikvision Singapore
T +65-6684-4718
sg@hikvision.com

Hikvision South Africa
Tel: +27 (10) 0351172
sale.africa@hikvision.com

Hikvision Europe
T +31-23-55-42-770
info.eu@hikvision.com

Hikvision France
T +33(0)11-85-330-450
info.fr@hikvision.com

Hikvision Oceania
T +61-2-8599-4233
salesau@hikvision.com

Hikvision Hong Kong
T +852-2151-1761

Hikvision Middle East
T +971-4-8816086
salesme@hikvision.com

Hikvision Spain
T +34-91-737-16-55
info.es@hikvision.com

Hikvision Canada
T +1-908-895-0400
sales.usa@hikvision.com

Hikvision Russia
T +7-495-669-67-99
salesru@hikvision.com

Hikvision Poland
T +48-22-460-01-55
poland@hikvision.com

Hikvision Korea
T +82-31-731-8888
sales.korea@hikvision.com

Hikvision India
T +91-22-28469900
mahikvision.com

Hikvision UK
T +44-1628-991111
support.uk@hikvision.com

Hikvision Latam
T +56-11-3318-0118
Latam.support@hikvision.com





588 West Jindu Road, Xinqiao, Songjiang, 201612 Shanghai, China
Telephone: +86 (0) 21 6191 5666
Fax: +86 (0) 21 6191 5678
ee.shanghai@sgs.com

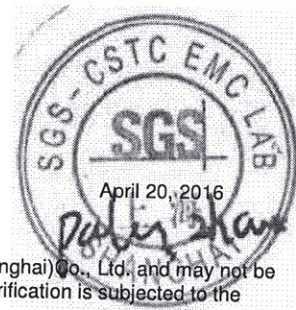
VERIFICATION OF COMPLIANCE

Verification No.: SHEM160400196801ITC
Applicant: Hangzhou Hikvision Digital Technology Co., Ltd.
Address of Applicant: 700 Dongliu Road, Binjiang, Hangzhou, 310052 Zhejiang, China
Product Description: Speed dome
Model No: DS-2DE7184-AE, DS-2DE7174-AE, DS-2DE7174-A, DS-2DE7184-A,
DS-2DE7176-AE, DS-2DE7176-A, DS-2DE7186-AE, DS-2DE7186-A,
DS-2AE7154-A, DS-2AE7158-A, DS-2AE7164-A, DS-2AE7168-A,
DS-2AE7154N-A, DS-2AE7158N-A, DS-2AE7164N-A, DS-2AE7168N-A,
DS-2AE7023I-A, DS-2AE7037I-A, DS-2AE7023NI-A, DS-2AE7037NI-A,
DS-2AE7123TI-A, DS-2AE7123TI-A(B), DS-2AE7223TI-A, DS-2AE7230TI-A,
DS-2DE7120IW-A, DS-2DE7130IW-A, DS-2DE7220IW-A, DS-2DE7230IW-A,
DS-2DE7320IW-A, DS-2DE7330IW-A, DS-2DE7120IW-AE,
DS-2DE7130IW-AE, DS-2DE7220IW-AE, DS-2DE7230IW-AE,
DS-2DE7320IW-AE, DS-2DE7330IW-AE, DS-2(A)DE7WXYZ-ABCDE
Sufficient samples of the product have been tested and found to be in conformity with
Test Standard: EN 55032:2015, EN 50130-4:2011+A1:2014
EN 61000-3-2:2014, EN 61000-3-3:2013
as shown in the
Test Report Number(s): SHEM160400196801

This verification of EMC Compliance has been granted to the applicant based on the results of the tests, performed by laboratory of SGS-CSTC Standards Technical Services Co., Ltd. on the sample of the above-mentioned product in accordance with the provisions of the relevant specific standards under Directive 2014/30/EU. The CE mark as shown below can be used, under the responsibility of the manufacturer, after completion of an EC Declaration of Conformity and compliance with all relevant EC Directives.



Parlam Zhan
E&E Section Manager
SGS-CSTC (Shanghai) Co., Ltd.



Copyright of this verification is owned by SGS-CSTC Standards Technical Services (Shanghai) Co., Ltd. and may not be reproduced other than in full and with the prior approval of the General Manager. This verification is subjected to the governance of the General Conditions of Services, printed overleaf.

Member of SGS Group (Société Générale de Surveillance)
Note: You may contact us to validate this document by email address: ee.shanghai@sgs.com





588 West Jindu Road, Songjiang District, Shanghai, China
Telephone: +86 (0) 21 6191 5666
Fax: +86 (0) 21 6191 5678
ee.shanghai@sgs.com

VERIFICATION OF COMPLIANCE

Verification No.: SHEM150900305501ITC
Applicant: Hangzhou Hikvision Digital Technology Co., Ltd.
Address of Applicant: 700 Dongliu Road, Binjiang, Hangzhou, 310052 Zhejiang, China
Product Description: Speed dome
Model No: DS-2DE7184-AE, DS-2DE7174-AE, DS-2DE7174-A, DS-2DE7184-A,
DS-2DE7176-AE, DS-2DE7176-A, DS-2DE7186-AE, DS-2DE7186-A,
DS-2AE7154-A, DS-2AE7158-A, DS-2AE7164-A, DS-2AE7168-A,
DS-2AE7154N-A, DS-2AE7158N-A, DS-2AE7164N-A, DS-2AE7168N-A,
DS-2AE7023I-A, DS-2AE7037I-A, DS-2AE7023NI-A, DS-2AE7037NI-A,
DS-2AE7123TI-A, DS-2AE7123TI-A(B), DS-2AE7223TI-A, DS-2AE7230TI-A,
DS-2DE7120IW-A, DS-2DE7130IW-A, DS-2DE7220IW-A, DS-2DE7230IW-A,
DS-2DE7320IW-A, DS-2DE7330IW-A, DS-2DE7120IW-AE,
DS-2DE7130IW-AE, DS-2DE7220IW-AE, DS-2DE7230IW-AE,
DS-2DE7320IW-AE, DS-2DE7330IW-AE, DS-2(A)DE7WXYZ-ABCDE

Sufficient samples of the product have been tested and found to be in conformity with
Test Standard: EN 55022:2010
EN 50130-4:2011+A1:2014
EN 61000-3-2:2014
EN 61000-3-3:2013

as shown in the
Test Report Number(s): SHEM150900305501

This verification of EMC Compliance has been granted to the applicant based on the results of the tests, performed by laboratory of SGS-CSTC Standards Technical Services Co., Ltd. on the sample of the above-mentioned product in accordance with the provisions of the relevant specific standards and Directive 2004/108/EC. The CE mark as shown below can be used, under the responsibility of the manufacturer, after completion of an EC Declaration of Conformity and compliance with all relevant EC Directives.

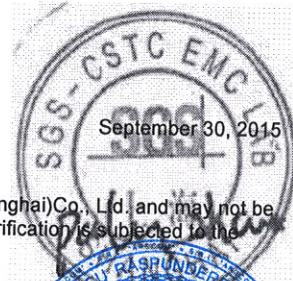


Parlam Zhan
E&E Section Manager
SGS-CSTC (Shanghai) Co., Ltd.

Copyright of this verification is owned by SGS-CSTC Standards Technical Services (Shanghai) Co., Ltd. and may not be reproduced other than in full and with the prior approval of the General Manager. This verification is subjected to the governance of the General Conditions of Services, printed overleaf.

Member of SGS Group (Société Générale de Surveillance)

Note: You may contact us to validate this document by email address: ee.shanghai@sgs.com





588 West Jindu Road, Xinqiao, Songjiang, 201612 Shanghai, China
 Telephone: +86 (0) 21 6191 5666
 Fax: +86 (0) 21 6191 5678
 ee.shanghai@sgs.com

VERIFICATION OF COMPLIANCE

Verification No.: SHEM160400196801ITC
 Applicant: Hangzhou Hikvision Digital Technology Co., Ltd.
 Address of Applicant: 700 Dongliu Road, Binjiang, Hangzhou, 310052 Zhejiang, China
 Product Description: Speed dome
 Model No: DS-2DE7184-AE, DS-2DE7174-AE, DS-2DE7174-A, DS-2DE7184-A,
 DS-2DE7176-AE, DS-2DE7176-A, DS-2DE7186-AE, DS-2DE7186-A,
 DS-2AE7154-A, DS-2AE7158-A, DS-2AE7164-A, DS-2AE7168-A,
 DS-2AE7154N-A, DS-2AE7158N-A, DS-2AE7164N-A, DS-2AE7168N-A,
 DS-2AE7023I-A, DS-2AE7037I-A, DS-2AE7023NI-A, DS-2AE7037NI-A,
 DS-2AE7123TI-A, DS-2AE7123TI-A(B), DS-2AE7223TI-A, DS-2AE7230TI-A,
 DS-2DE7120IW-A, DS-2DE7130IW-A, DS-2DE7220IW-A, DS-2DE7230IW-A,
 DS-2DE7320IW-A, DS-2DE7330IW-A, DS-2DE7120IW-AE,
 DS-2DE7130IW-AE, DS-2DE7220IW-AE, DS-2DE7230IW-AE,
 DS-2DE7320IW-AE, DS-2DE7330IW-AE, DS-2(A)DE7WXYZ-ABCDE

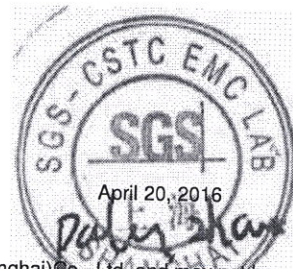
Sufficient samples of the product have been tested and found to be in conformity with
 Test Standard: EN 55032:2015, EN 50130-4:2011+A1:2014
 EN 61000-3-2:2014, EN 61000-3-3:2013

as shown in the
 Test Report Number(s): SHEM160400196801

This verification of EMC Compliance has been granted to the applicant based on the results of the tests, performed by laboratory of SGS-CSTC Standards Technical Services Co., Ltd. on the sample of the above-mentioned product in accordance with the provisions of the relevant specific standards under Directive 2014/30/EU. The CE mark as shown below can be used, under the responsibility of the manufacturer, after completion of an EC Declaration of Conformity and compliance with all relevant EC Directives.



Parlam Zhan
 E&E Section Manager
 SGS-CSTC (Shanghai) Co., Ltd.



Copyright of this verification is owned by SGS-CSTC Standards Technical Services (Shanghai) Co., Ltd. and may not be reproduced other than in full and with the prior approval of the General Manager. This verification is subjected to the governance of the General Conditions of Services, printed overleaf.

Member of SGS Group (Société Générale de Surveillance)

Note: You may contact us to validate this document by email address: ee.shanghai@sgs.com

