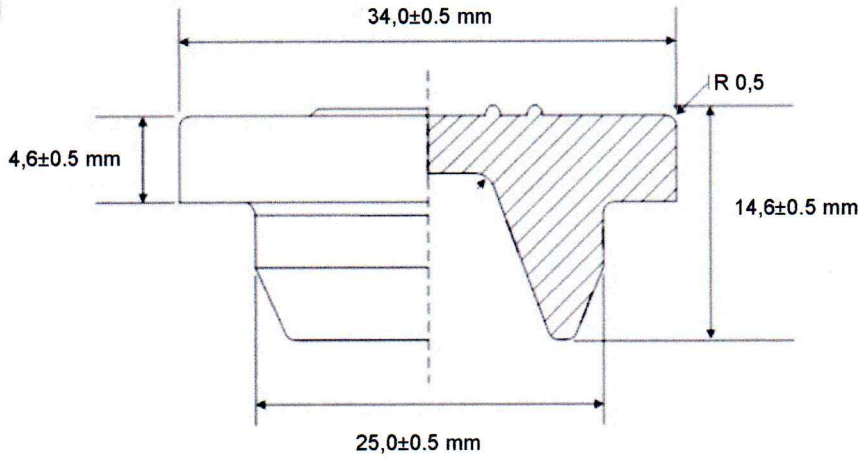


HONJIN



MATERIAL: Brominated butyl rubber		
STERILIZATION TEMPERATURE 132±0.2 °C		
SIZE	TOP DIAMETER	34,0±0.5 mm
	PLUG DIAMETER	25,0±0.5 mm
	OVERALL HEIGHT	14,6±0.4 mm
	TOP HEIGHT	4,6±0.3 mm
PHYSICAL FUNCTION	POWER OF PUNCTURE	≤10N
	ASH	Residue left ≤ 50%
CHEMICAL FUNCTION	VOLATILE SULFIDES	≤50ugNa ₂ S/20cm ²
	CLARITY AND COLOR	Clarity ≤ No.2 Color ≤ Kelly No.5
	PH	Disparity between with blank liquid ≤ 1.0
	ULTRAVIOLET ABSORBENCY	(220-360nm) Amax ≤ 0.20
	NO-VOLATILE MATTER	≤ 4.0mg/100ml
	READILY OXIDIZABLE SUBSTANCES	≤ 7.0ml
	HEAVY METALS	≤ 1PPM
	AMMONIUM	≤ 0.0002%
	ZINC	≤ 0.0003%
ELECTRICAL CONDUCTIVITY	≤ 40.0µs/cm	
Produce basis: ISO8362-2-2015		

Shanxi Hongjin Medical Glass Co.,Ltd				Title: Pharmaceutical Rubber Stoppers 34-A			
		UNIT:	GEN. TOLERANCE:		SIZE: A4	REV:0	
DRAWING BY:	DEPARTMENT	NAME - SURNAME	SIGN	DATE	DWG NO: HJ-RS-34A		
Hou Mingzhen	APPROVAL	FACTORY MANAGER	Yang Wen			FILE:	
Date:	QA / RA	Pei Zhuo	SCALE:1/1			PAGE:1	
2022/09/20							