

Technical Summary Sheet

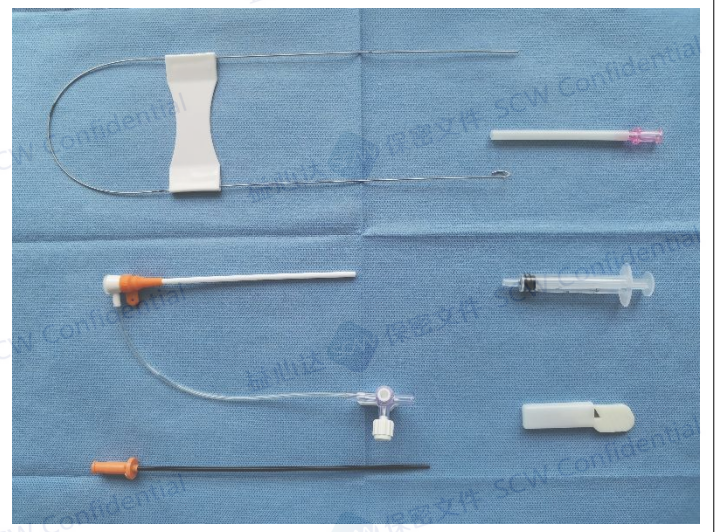
Reference: 42.09.20008

Description: 7F*23CM

Content / Material Summary

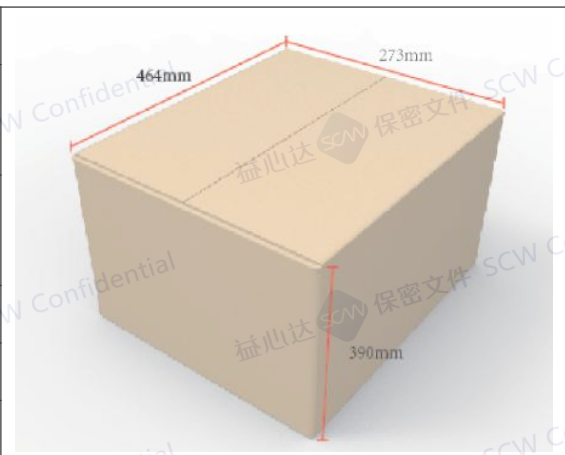
Photo

Component	Specification	Qty/Unit
Introducer sheath	7Fr _x 23cm	1
Dilator	7Fr _x 28cm	1
Introducer needle	18G _x 6.5cm	1
Scalpel	11#	1
Guide wire	0.038 " x60cm J	1
Syringe	2.5mL	1



Packaging

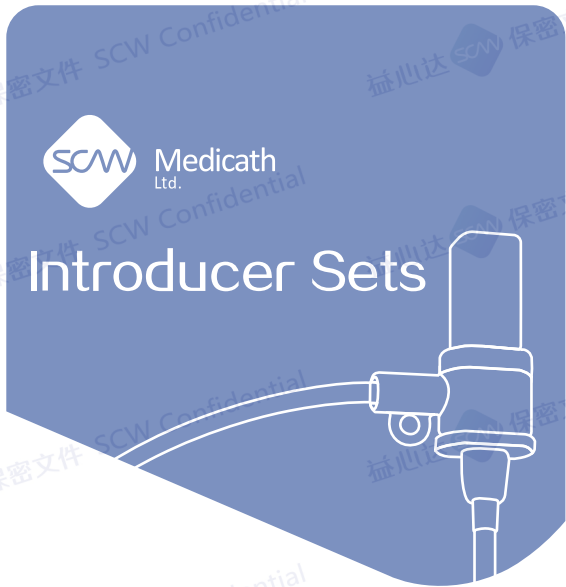
Attribute	Material / Detail
Blister box	TYVEK paper and Blister box
Quantity / Case	40 (4 Inner boxes of 10)
Approx. Weight / Case	4kg
Shipper Dimensions	464*390*273mm
Sterilant	ETO





Medicath Ltd.

Introducer Sets



Model:

REF

LOT



Contents

- Introducer Sheath :
- Guidewire :
- Introducer Needle :

Caution : Damage to guide wire may result if withdrawn through introducer needle. Introducer needle must be removed first



STERILE EO



SCW MEDICATH LTD.

ADD: No. 4, Baolong 6th Road, Baolong Industrial Town, Longgang District, Shenzhen 518116 Guangdong China

TEL: (86)755-89312160/89312258

FAX: (86)755-89312239

EMAIL: sales@scwmed.com

EC REP OBELIS S.A.

ADD: Bd. Général Wahis 53, 1030 Brussels, Belgium

