

Model

QuickThaw® DH2 Plasma Thawing System

Specifications

Application, Rating and Electrical Data

Application	Thawing frozen blood products and other medical, biological, and scientific products
Chamber Volume	2.2 gallons / 8.5 liters
Thawing Capacity	2 bags
Chamber Drain Time	1.5 minutes
Electrical Power	100V 50/60Hz 115V 50/60Hz 230V 50/60Hz
Maximum Current	3 FLA / 2.5 FLA / 1.25 FLA
Building Supply Rating	15 amp dedicated ground circuit
Certification / Agency Listing	QPS (Certified to UL and CSA Standards)
Indoor/Outdoor Use	Indoor use only
Application Environment	Non-corrosive, non-flammable, non-explosive, 15°C to 32°C (59°F to 90°F)

Warranty

Standard (US/Canada)	2 years parts, 1 year labor
Outside US/Canada	Consult your local representative

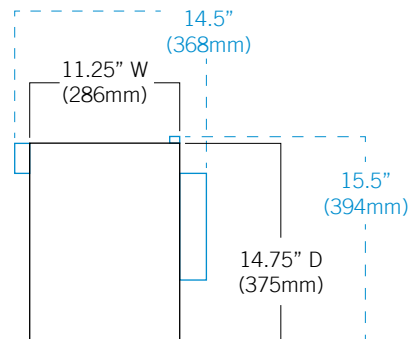
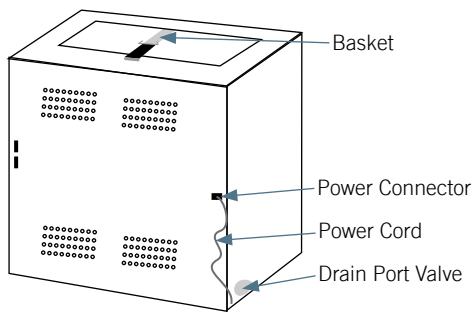
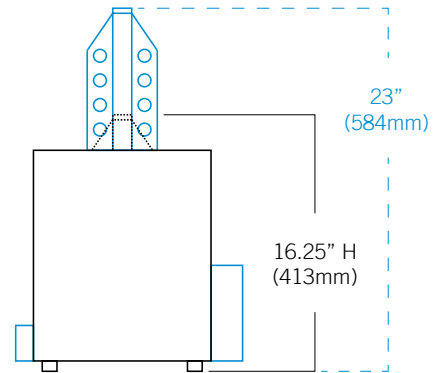
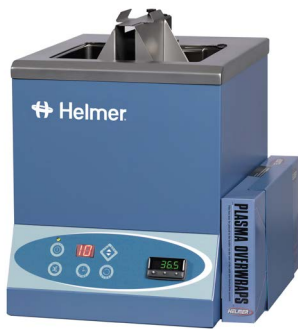
Controller

Interface	LED display
Controller Type	Digital microprocessor
Set Time / Cycle Time	Displayed in minutes
Programmable Cycles	14 time selections
High Temperature Alarm	Audible and visual
Heater Status Indicator	Visual
Cycle Pause / Resume	Yes

Dimensions and Construction

Chamber Dimensions (w x h x d) in (mm)	8 x 11 x 7.5 / (204 x 280 x 191)
Exterior (w x h x d) in (mm)	11.25 x 16.25 x 14.75 / (286 x 413 x 375)
Overall Exterior (w x h x d) in (mm) (includes baskets extended, drain port, plasma overwrap holder, switches)	14.5 x 23 x 15.5 / (368 x 584 x 394)
Exterior Material	Bacteria-resistant powder coated
Chamber Material	Stainless steel
Drain System	Quick connect
Basket Material	Stainless steel
Net Weight	38 lb (18 kg)
Shipping Weight	52 lb (24 kg)
Location Requirements	Access to water supply. Adjacent to a sanitary drain or waste water container.
Clearance Requirements	Minimum 8" (203mm) above the thawer for the basket lift-out system to operate
Options / Accessories	DT1 Digital Thermometer, Plasma Overwraps (standard), Chamber Cover, CleanBath, Extended Warranty





Plasma Thawing



QuickThaw[®]
DH2 DH4 DH8

QuickThaw[®]

QuickThaw[®] Plasma Thawing Systems from Helmer use both controlled temperature and agitation to substantially reduce thaw times while ensuring the safety of your plasma or cryoprecipitate. A range of sizes is available to meet your needs, including 2 bag, 4 bag, and 8 bag capacities. The DH4 and DH8 models have dual baskets with independent controls that accommodate a variety of bag configurations. The DH2 features a single basket and very compact footprint.

The QuickThaw is also convenient to operate, allowing you to load, program, and walk away. The QuickThaw does the rest.



Advantages Over Other Plasma Thawing Systems

Reduce Unused Plasma

Rapid thawing with the QuickThaw reduces the amount of plasma that must be thawed in advance. The baskets agitate the units in 36.5°C water for optimal heat transfer and the most rapid, yet safe, thawing. Reducing unused thawed plasma results in cost savings for you.

Flexible, Convenient, and Safe

Each QuickThaw basket in the DH4 and DH8 operates independently, giving you the flexibility of starting batches of plasma at different times. In addition, the baskets automatically lift plasma bags out of the water when a cycle is complete, offering the convenience of walk-away time savings. For added safety, the baskets also lift out upon high alarm activation.

Maximum Versatility

Both random and apheresis plasma bags may be thawed in any unit (whether flat or folded). With the use of the removable dividers in the DH8 model, oversized units (wider than 6" / 153mm) may be thawed. The QuickThaw is suitable for thawing cryoprecipitate and red blood cells as well as warming saline.

Space Saving

The compact size of QuickThaw Plasma Thawing Systems conserves space on your benchtop. The small footprint of the DH2 makes it an ideal back-up unit.

Overwrap Protection

The QuickThaw uses Helmer overwrap bags, the most convenient method to protect plasma during thawing. Overwraps eliminate the need for snap-seal pockets to separate the plasma from an internal water supply. Pockets crack over time, causing the need for replacement and the possibility of internal system contamination. Helmer disposable overwraps provide long term security and the QuickThaw's open tank design allows for easy cleaning, with no hidden areas.

Thawing Capabilities

Plasma can be loaded and unloaded into the QuickThaw without waiting for the water to be added and drained. Competitive snap-seal pocket systems need pumps to move water from a holding reservoir into the thawing chamber before and after each cycle, increasing thaw times and decreasing throughput.



Durable, Dependable Design

Microprocessor Temperature Controller

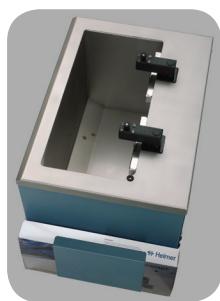
- LED digital temperature display.
- Chamber temperature is programmable in 0.1°C increments.
- Visual heater status indicator.
- Audible and visual high temperature alarm.

Agitation Controls

- Independent controls and LED display for each basket.
- Set time or remaining cycle time is displayed in minutes.
- 14 time selections are available for programming cycle length.
- Cycles can be interrupted to check units or add more plasma.

Construction

- Polished stainless steel tank and baskets.
- Bacteria-resistant powder coated exterior.
- Chamber volume and high capacity heater enhance heat transfer efficiencies for faster thawing.
- Quick connect drain system efficiently empties the chamber for easy cleanup.
- Large opening for easy cleaning.



Stainless Steel Chamber



DH8 Basket With Frozen Plasma



QuickThaw Control Panel for DH2



QuickThaw Control Panel for DH4 and DH8

Accessories

DT1 Digital Thermometer

Solar-powered thermometer with LCD read-out displays the chamber temperature to a tenth of a degree. The stainless steel probe inserts into the water chamber. The QuickThaw is equipped with a built-in thermometer holder.



Plasma Overwraps

Disposable Helmer Plasma Overwraps protect frozen random and apheresis plasma against contaminants and isolate a broken bag.



Standard Overwraps

Carton of 1000 overwrap bags. Four dispenser boxes of 250 bags each.

Large Overwraps

Carton of 250 overwrap bags. For use with DH8 only.

Chamber Cover

CT2 Cover for use with DH2
 CT4 Cover for use with DH4
 CT8 Cover for use with DH8



CleanBath

Additive used to inhibit bacterial growth. Each 8 oz. bottle of CleanBath treats approximately 300 gallons of water.

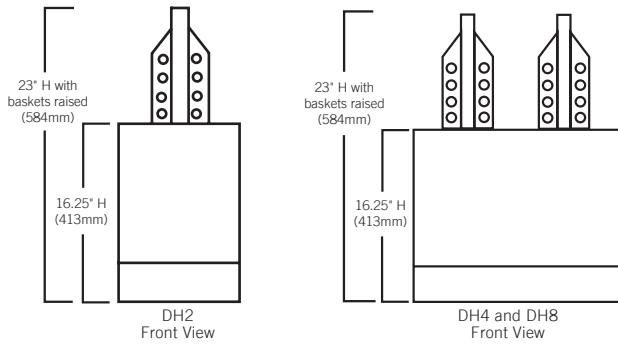
Thawing Process

Load	Insert plasma into Helmer overwrap bag and load in basket.
Program	Set length of thawing cycle and press the cycle start button.
Agitation	The basket lowers into the water chamber and the agitation cycle begins.
Lift-Out	Upon completion of the programmed cycle, the basket automatically lifts out of the water chamber for easy access.

Median Thaw Times

For plasma stored at -30°C

BAG CONFIGURATION	TIME
250ml flat	10 minutes
300ml flat	14 minutes
250ml flat, thick plastic	16 minutes
250ml folded	17 minutes
500ml flat apheresis	18 minutes



Specifications

Model	Thawing Capacity*	Chamber Volume (gal / liter)	Chamber Material	Baskets	Chamber Drain Time (minutes)	Exterior Dimensions (W x H x D) (in/mm)	Chamber Dimensions (W x H x D) (in/mm)	Electrical	Net Weight
DH2	2 bags	2.2 / 8.5	Stainless Steel	Stainless Steel	1.5	11.25 x 16.25 x 14.75 286 x 413 x 375	8 x 11 x 7.5 204 x 280 x 191	100V / 50Hz / 3A 115V / 50/60Hz / 2.5A 230V / 50/60Hz / 1.25A	38 lb / 18 kg
DH4	4 bags	4.75 / 18	Stainless Steel	Stainless Steel	3	18.5 x 16.25 x 14.75 470 x 413 x 375	15.5 x 11 x 7.5 394 x 280 x 191	100V / 50Hz / 8A 115V / 50/60Hz / 6A 230V / 50/60Hz / 3A	58 lb / 26 kg
DH8	8 bags	8.5 / 32	Stainless Steel	Stainless Steel	5.5	18.5 x 16.25 x 22 470 x 413 x 559	15.5 x 11 x 15 394 x 280 x 381	100V / 50Hz / 12A 115V / 50/60Hz / 10A 230V / 50/60Hz / 5A	74 lb / 34 kg

Certified to applicable UL and CSA standards by a NRTL

*Carefully determine usage needs to ensure that the appropriate sized unit is purchased.



Warranty

2 years parts / 1 year labor at Helmer

Warranties applicable in the U.S. and Canada.

For international warranty information, contact your local distributor.

