



## High-Performance Cassette-size Wireless a-Si Flat Panel Detector Mars 1417X

- Wireless cassette detector per ISO 4090, fits in bucky
- Best-in-class 100  $\mu\text{m}$  pixel pitch with 16-bit ADC for more image details
- Direct deposition Csl, with excellent DQE at all frequencies
- Full AED control, exposure at any time

| Large capacity battery design, with 8+ hours battery life |

| Lightweight design with IP56 ingress protection |

| Supports a fast workflow for a better user experience |

---

Mars 1417X is a best in class 14×17-inch wireless, cassette-sized flat panel detector for radiographic imaging. It features a 100  $\mu\text{m}$  pixel pitch with direct deposition Csl. Cutting-edge technologies include a novel light-weight housing design with IP56 ingress protection, in-tray battery charging, and reliable low power automatic exposure detection (AED). With its exceptional image quality the Mars 1417X is an excellent choice for high-end DR systems.

---

IMAGING THE FUTURE

# High Performance Cassette-size Wireless a-Si Flat Panel Detector

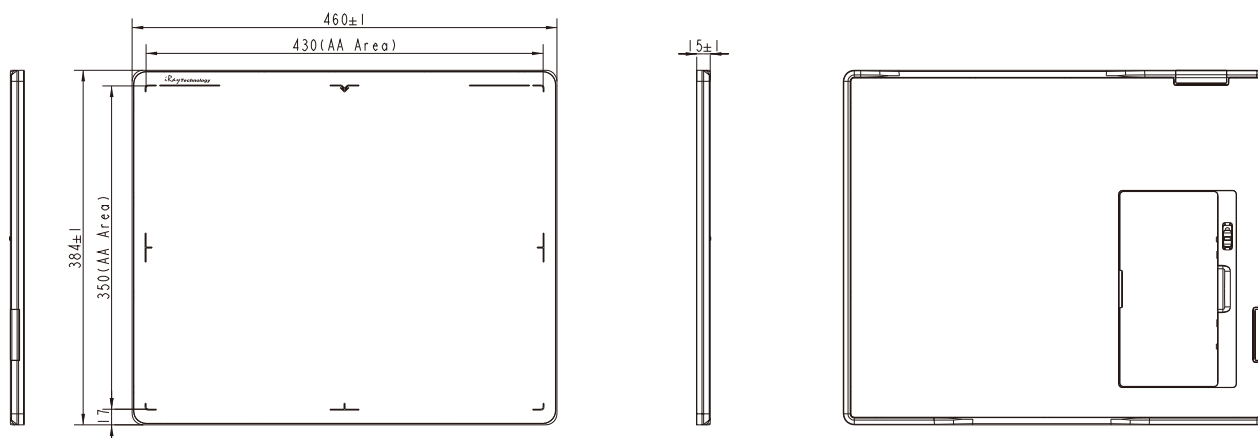
## Technical Specifications

Mars 1417X

|   |                                    |
|---|------------------------------------|
| Detector Technology                               | Amorphous Silicon                  |
| Scintillator                                      | CsI                                |
| Active Area (inch)                                | 14 × 17                            |
| Pixel Matrix                                      | 3500 × 4300                        |
| Pixel Pitch (μm)                                  | 100                                |
| Spatial Resolution (lp/mm)                        | 5                                  |
| AD Conversion (bit)                               | 16                                 |
| Battery Autonomy (h)                              | 8.5                                |
| WIFI  | 2.4G and 5G, IEEE802.11 a/b/g/n/ac |
| Trigger Mode                                      | AED (Optional) / Software          |
| Internal Image Storage(pcs)                       | >100                               |
| Full Image Time (s)                               | <3.5                               |
| Dimensions (mm <sup>3</sup> )                     | 384 × 460 × 15                     |
| Weight (kg)                                       | 3.0                                |
| Static Loading                                    | 300kg Uniformly                    |
| Ingress Protection                                | IP56                               |
| Operating Temperature (°C)                        | 10 ~ 35                            |
| Storage & Transport Temperature with Package (°C) | -20 ~ 55                           |
| Operating Humidity (% RH)                         | 5 ~ 90 (Non-Condensing)            |
| Storage & Transport Humidity with Package (% RH)  | 5 ~ 95 (Non-Condensing)            |

## Dimensions

Unit : mm



[www.iraygroup.com](http://www.iraygroup.com)

Manufactured by iRay Technology specifications subject to change without notice.  
Copyright © 2020 iRay Technology. All Rights Reserved.

### CHINA

#### iRay Technology Company Limited

Building 45, No.1000, Jinhai Road, Pudong  
New Area, Shanghai, China 201206

Tel: +86-21-5072 0560

Fax: +86-21-5072 0561

Email: [market@iraygroup.com](mailto:market@iraygroup.com)

#### iRay Technology Taicang Ltd.

No.33, Xinggang Road, Taicang Port  
Economic and Techn. Devel.  
Zone, Taicang City, Jiangsu Prov-  
ince, China 215400

### KOREA

#### iRay Korea Limited

1820, 18F, 5, Gasan digital  
1-ro, Geumcheon-gu, Seoul,  
Republic of Korea 08594

Tel: +82-2-6335-6333

Fax: +82-2-6335-6334

Email: [market@iraykorea.com](mailto:market@iraykorea.com)

### EUROPE

#### iRay Europe GmbH

In den Dorfwiesen 14  
71720 Oberstenfeld, Germany

Tel: +49-7062-977 8800

Fax: +49-7062-976 0571

Email: [sales@irayeuropa.com](mailto:sales@irayeuropa.com)

